

# EDAL INDUSTRIES, INC.

51 COMMERCE STREET\*EAST HAVEN, CONNECTICUT 06512\*TELEPHONE (203)-467-2591\*FAX (203)-469-5928  
 Internet: <http://www.eemonline.com/edal> Email: [edalind@aol.com](mailto:edalind@aol.com)

## SILICON BRIDGE RECTIFIERS. 8 AMPS. TO 10 AMPS

The plastic material carries U/L recognition 94V-0

TYPE	MAXIMUM AVERAGE RECT. CURRENT. If (AV) @ T <sub>A</sub> R LOAD		INPUT VOLTAGE RECOMD. V <sub>rms</sub>	PEAK INVERSE VOLTAGE V <sub>rrm</sub>	MAXIMUM FWD PEAK SURGE CURRENT I <sub>fsm</sub>	MAXIMUM FWD VOLTAGE @ T <sub>A</sub> = 25°C V <sub>f</sub> @ I <sub>f</sub> (AV)		MAXIMUM REVERSE CURRENT @ T <sub>A</sub> = 25°C I <sub>r</sub>
	(A)	(C)	(V)	(V)	(A)	(V)	(A)	(uA)

BR800 Series. 8 Amps. Case: BR800. Figure 1.

BR800	8.0	50	20	50	300	1.0	5.0	10
BR801	8.0	50	40	100	300	1.0	5.0	10
BR802	8.0	50	80	200	300	1.0	5.0	10
BR804	8.0	50	125	400	300	1.0	5.0	10
BR806	8.0	50	250	600	300	1.0	5.0	10
BR808	8.0	50	380	800	300	1.0	5.0	10
BR810	8.0	50	440	1000	300	1.0	5.0	10

BR1000 Series. 10 Amps. Case: BR1000. Figure 1.

BR1000	10	55	20	50	300	1.0	6.0	10
BR1001	10	55	40	100	300	1.0	6.0	10
BR1002	10	55	80	200	300	1.0	6.0	10
BR1004	10	55	125	400	300	1.0	6.0	10
BR1006	10	55	250	600	300	1.0	6.0	10
BR1008	10	55	380	800	300	1.0	6.0	10
BR1010	10	55	440	1000	300	1.0	6.0	10

DIM.	INCHES		MILLIMETERS	
	MIN.	MAX.	MIN.	MAX.
A	0.48	0.52	12.2	13.2
B	0.73	0.77	18.54	19.56
C	0.142	0.158	3.6	4.0
D	0.21	0.29	5.33	7.37
E	0.21	0.29	5.33	7.37
F	0.75		19.1	
G	0.048	0.052	1.2	1.3
H	0.25	0.30	6.35	7.6

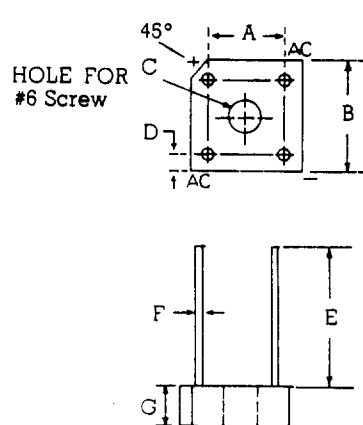


FIGURE 1

B153

DIODES \* BRIDGES \* POWER RECTIFIERS \* HIGH VOLTAGE ASSEMBLIES \*  
 VARISTORS \* MOV'S \* TVS \* SPECIAL DESIGNS

EDALS00054\*