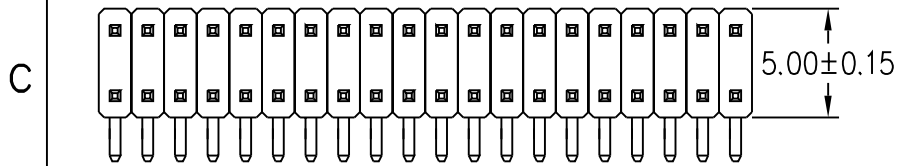
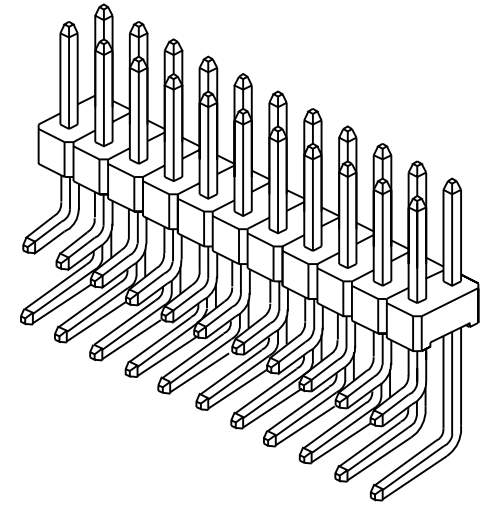
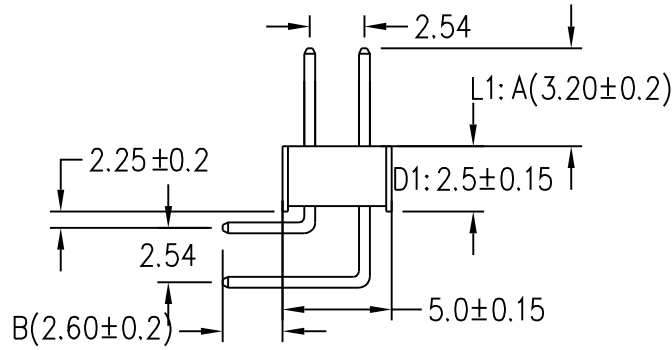
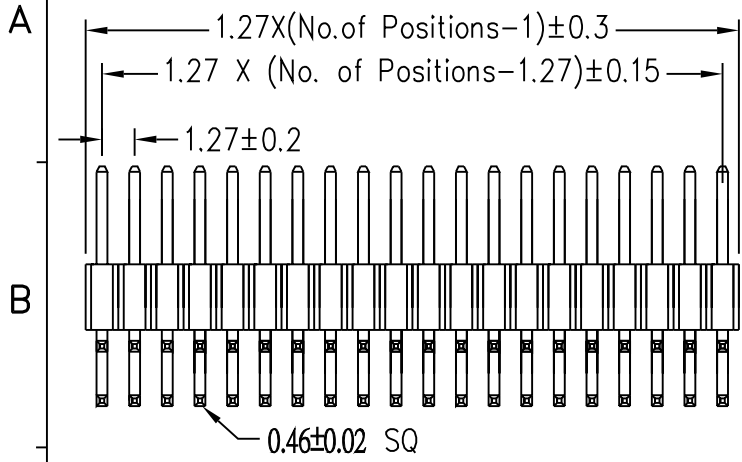
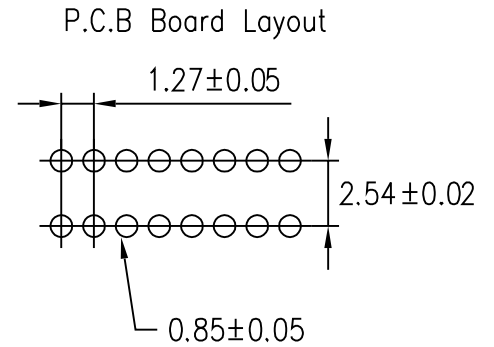


1 2 3 4 5 6 7  
**2142C2 PIN HEADER** Dual Row/Right Angle



ORDER INFORMATION:  
 2142C2 - 2 X?? -RA1-D1-L1

Pin Length: L1: A:3.2mm/B:2.6mm  
 Height: D1:1.70mm  
 D2:2.50mm  
 RA1:Right Angle/Down Angle:1.6mm  
 No of Contacts 3~50  
 Dual Row



**SPECIFICATIONS**

CURRENT RATING:1AMP  
 INSULATOR RESISTANCE:5000MΩMIN  
 DIELECTRIC WITHSTANDING:AC 500V  
 OPERATING TEMPERATURE:-40°C-+105°C  
 CONTACT MATERIAL:PHOSPHOR BRONZE OR BRONZE  
 INSULATOR MATERIAL:POLYESTER UL94V-0  
 NYLON-6T  
 FINISH:GOLD FLASH

<b>易昕企業有限公司</b> LEAMAX ENTERPRISE CO., LTD.					
PROJ		SCALE : F DO NOT SCALE DWG	MOLD NO	2142C2	
APP			MODEL	FILE NO	REV.
CHK	CCJ	91.10.07		1.27*2.54mm	X1
DGN	AMY	91.10.07	UNIT	SHT 1 OF 1	SIZE
DRW	SHIEH	91.10.07	MM		A4