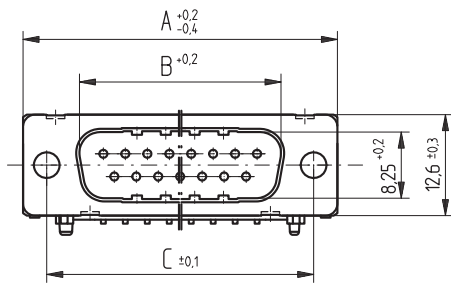


# D-Sub Connectors

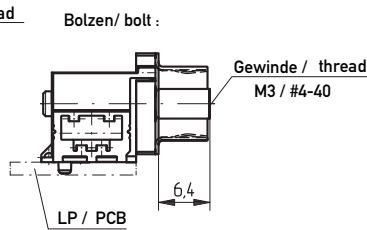
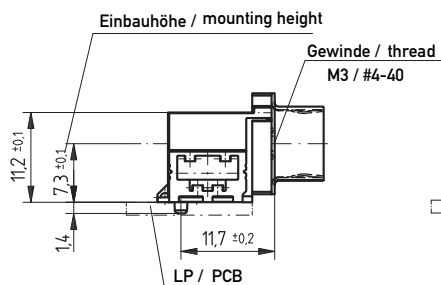
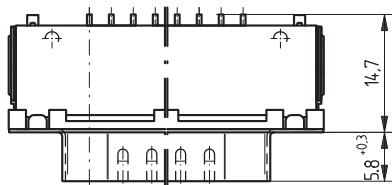
## Right Angle Male



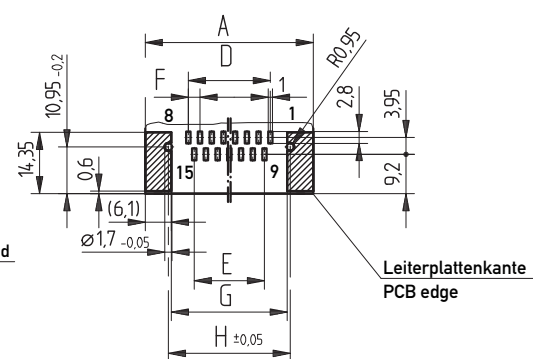
Dimensional Drawing SMT, Assembly Height 7.3 mm



9	31.0	16.8	25.0	10.96	8.22	2.74	20.2	23.2
15	39.3	25.1	33.3	19.18	16.44	2.74	28.5	31.5
25	53.0	38.9	47.0	33.12	30.36	2.76	42.2	45.2
37	69.5	55.3	63.5	49.68	46.92	2.76	58.7	61.7
Pohlzahl No. of contacts	A	B	C	D	E	F	G	H



Layout

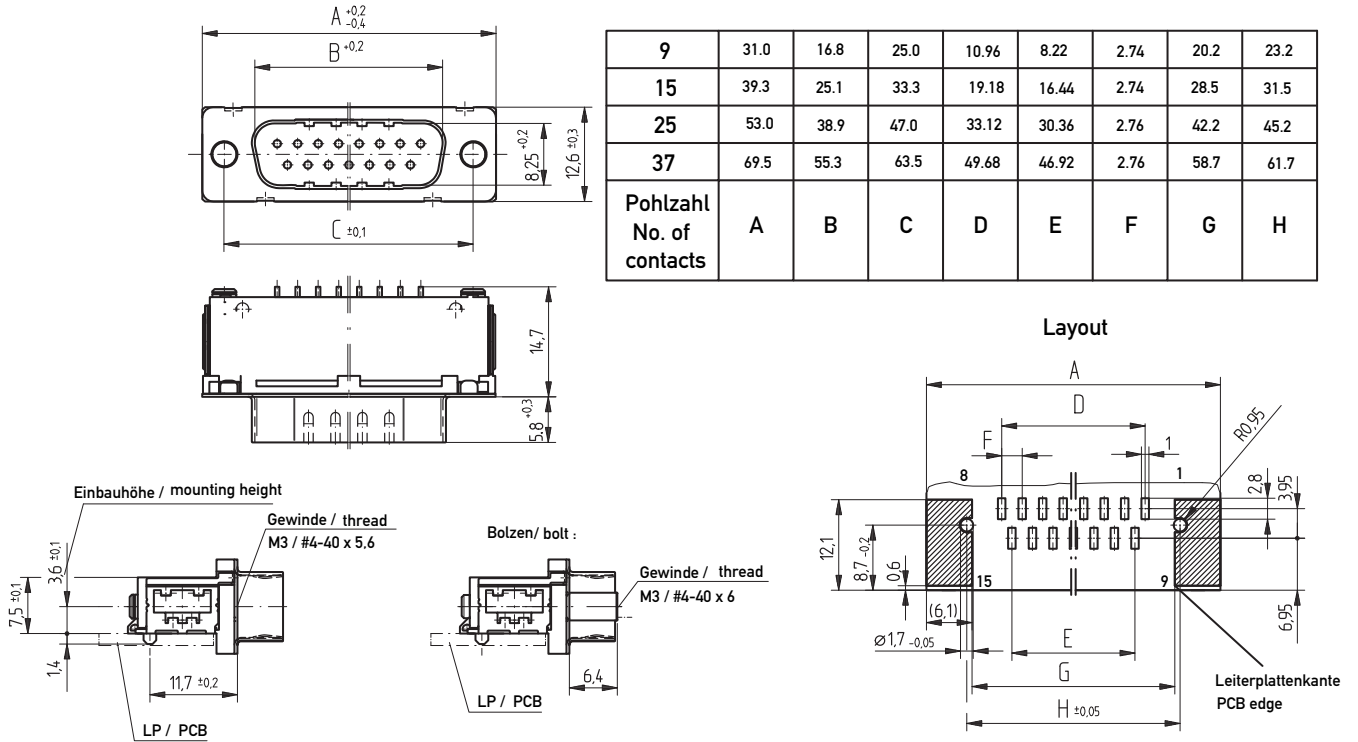


All dimensions in mm

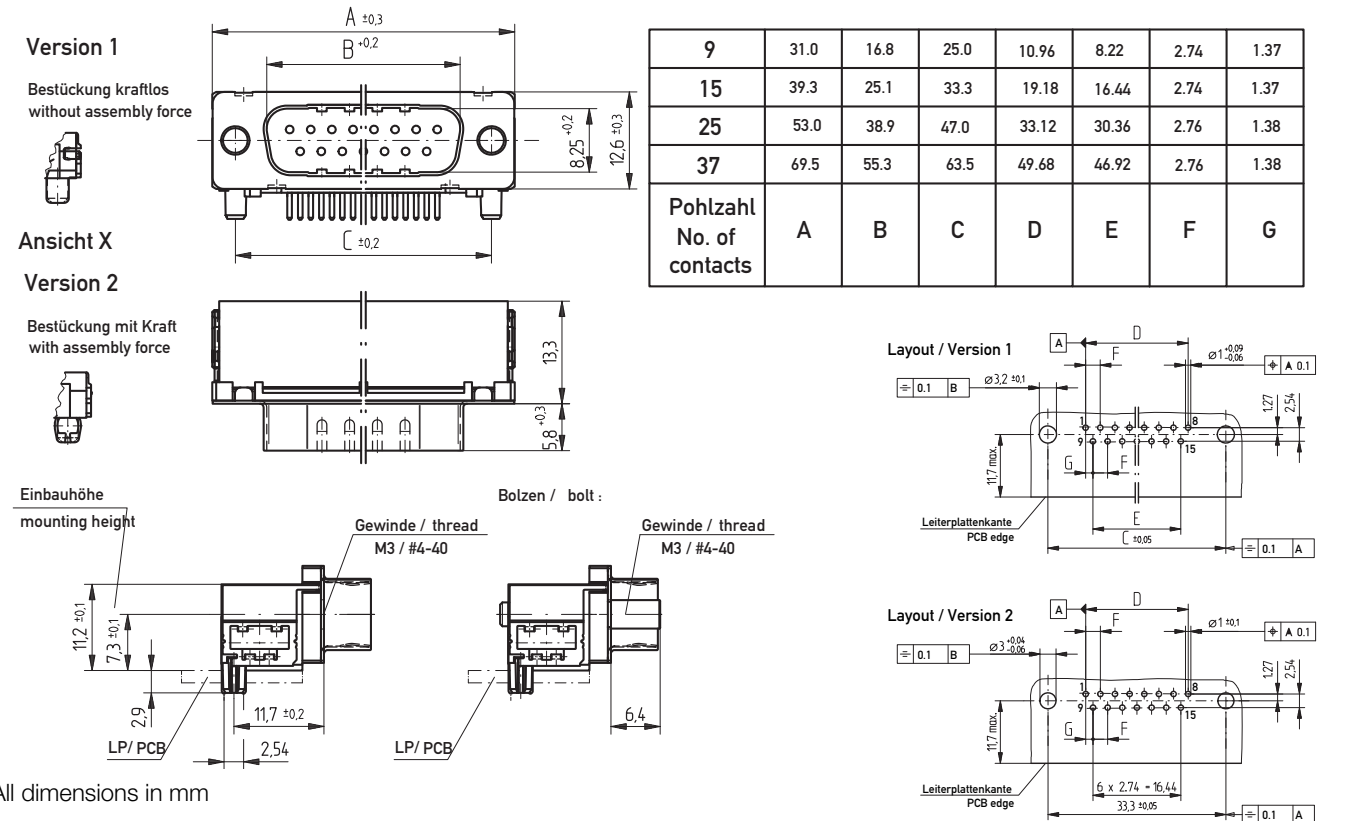
# D-Sub Connectors

## Right Angle Male

### Dimensional Drawing SMT, Assembly Height 3.6 mm

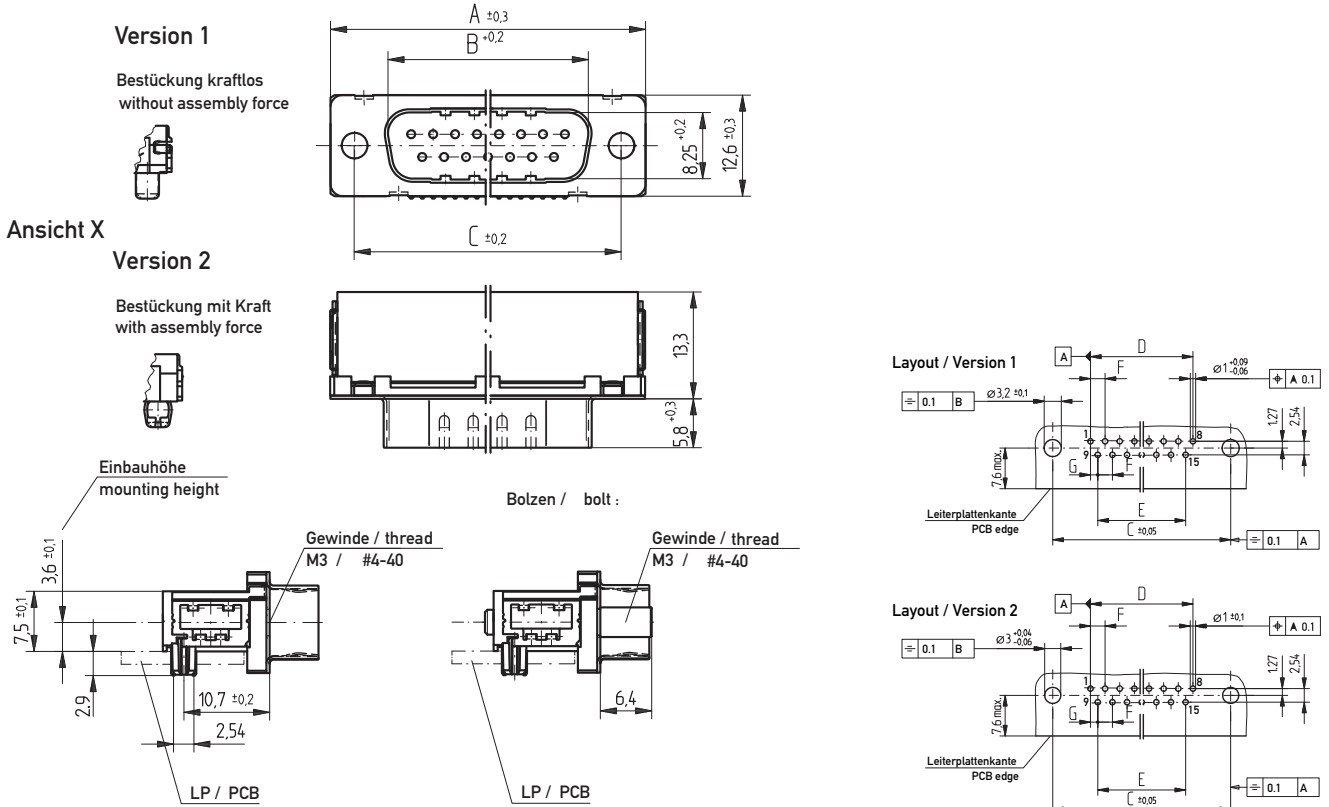


### Dimensional Drawing THR, Assembly Height 7.3 mm

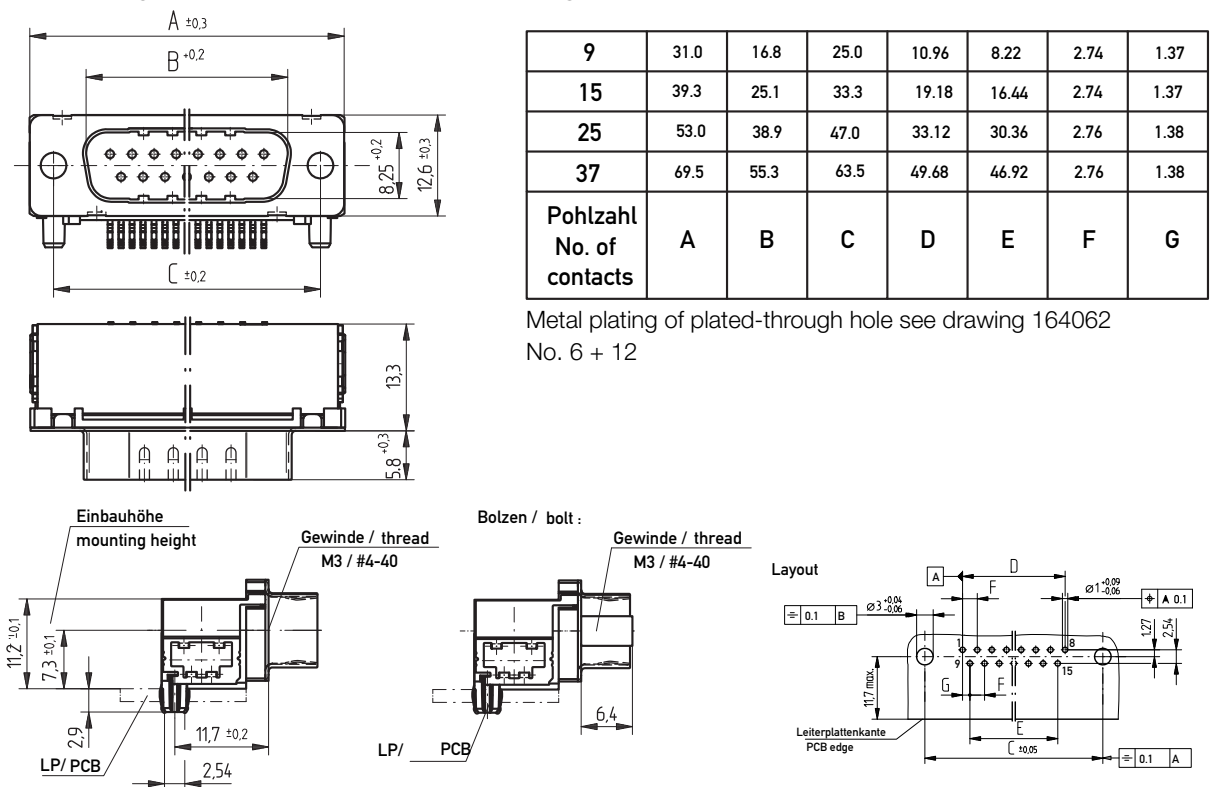


All dimensions in mm

### Dimensional Drawing THR, Assembly Height 3.6 mm



### Dimensional Drawing Pressfit (Clip), Assembly Height 7.3 mm

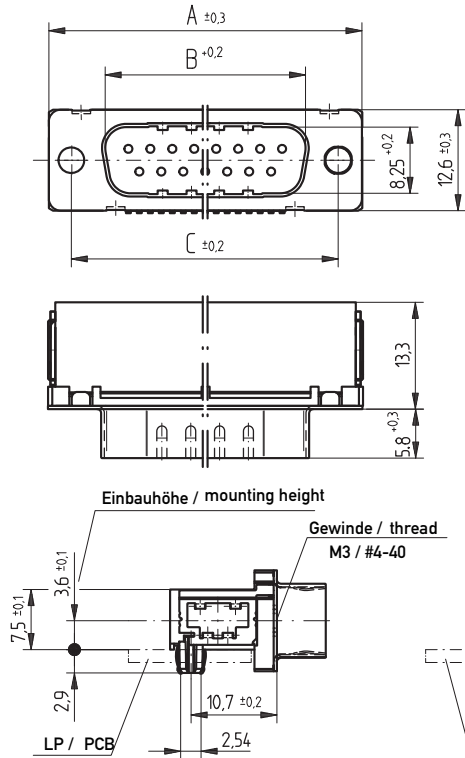


All dimensions in mm

# D-Sub Connectors

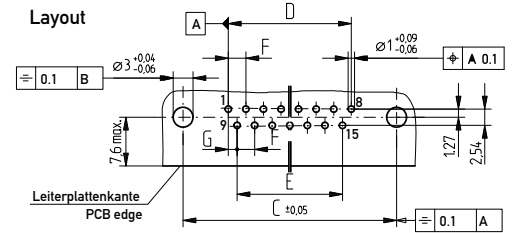
## Right Angle Male

### Dimensional Drawing Pressfit (Clip), Assembly Height 3.6 mm

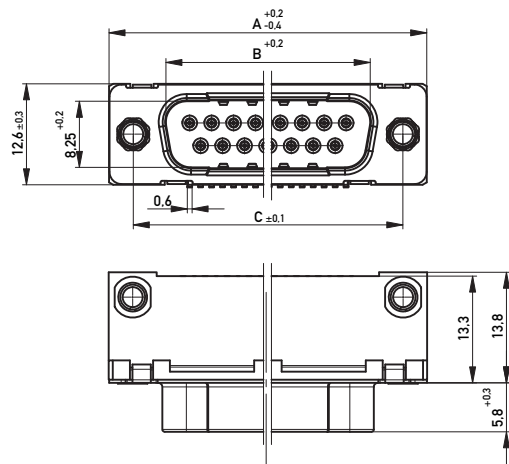


9	31.0	16.8	25.0	10.96	8.22	2.74	1.37
15	39.3	25.1	33.3	19.18	16.44	2.74	1.37
25	53.0	38.9	47.0	33.12	30.36	2.76	1.38
37	69.5	55.3	63.5	49.68	46.92	2.76	1.38
Pohlzahl No. of contacts	A	B	C	D	E	F	G

Metal plating of plated-through hole see drawing 164062  
No. 6 + 12

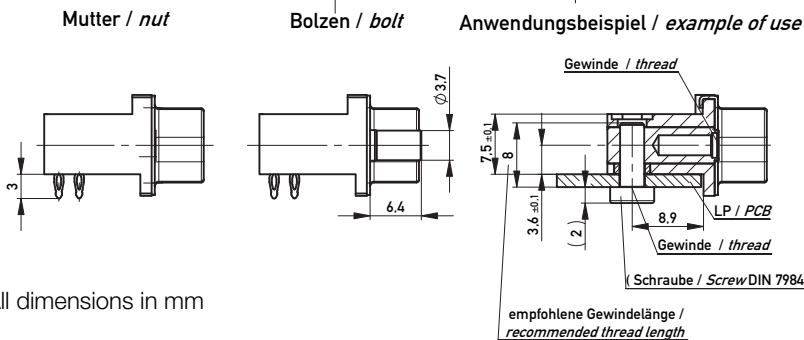


### Dimensional Drawing Pressfit (Screw), Assembly Height 3.6 mm

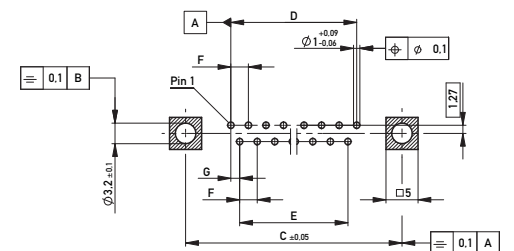


9	31.00	16.80	25.00	10.96	8.22	2.74	1.37
15	39.30	25.10	33.30	19.18	16.44	2.74	1.37
25	53.00	38.90	47.00	33.12	30.36	2.76	1.38
37	69.50	55.30	63.50	49.68	46.92	2.76	1.38
Pohlzahl No. of contacts	A	B	C	D	E	F	G

Metal plating of plated-through hole see drawing 164062  
No. 6 + 12

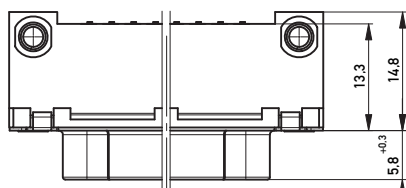
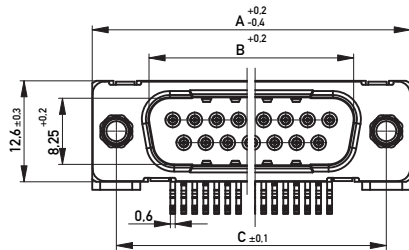


Layoutvorschlag  
recommended layout



All dimensions in mm

### Dimensional Drawing Pressfit (Screw), Assembly Height 7.3 mm



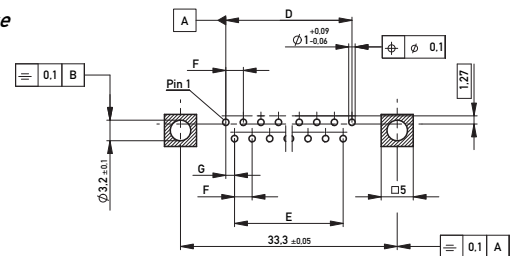
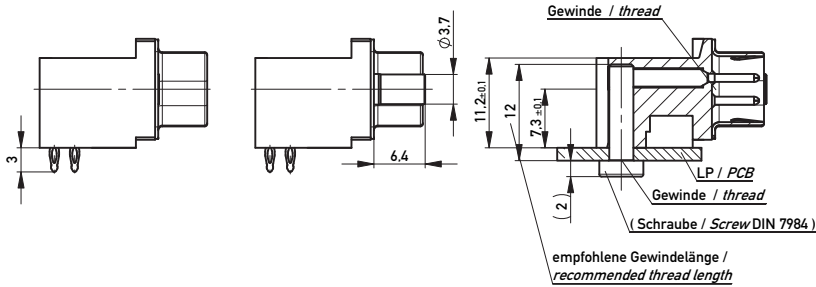
<b>9</b>	31.00	16.80	25.00	10.96	8.22	2.74	1.37
<b>15</b>	39.30	25.10	33.30	19.18	16.44	2.74	1.37
<b>25</b>	53.00	38.90	47.00	33.12	30.36	2.76	1.38
<b>37</b>	69.50	55.30	63.50	49.68	46.92	2.76	1.38
<i>Pohlzahl No. of contacts</i>	<b>A</b>	<b>B</b>	<b>C</b>	<b>D</b>	<b>E</b>	<b>F</b>	<b>G</b>

Metal plating of plated-through hole see drawing 164062  
No. 6 + 12

Mutter / nut

Bolzen / bolt

Anwendungsbeispiel / example of use



All dimensions in mm

## D-Sub Connectors

### Right Angle Male 9 Pin

#### Ordering Information

##### SMT Versions

No. of Pins	Termination	Assembly Height	Termination Length	Accessory Mating Side	Accessory Terminal Side	Packaging	Part Number
9	SMT	3.6 mm	–	None	–	Tray (32 pcs)	<b>174501</b>
9	SMT	3.6 mm	–	None	–	Tape & Reel (125 pcs)	<b>214339</b>
9	SMT	3.6 mm	–	Thread M3	–	Tray (32 pcs)	<b>214639</b>
9	SMT	3.6 mm	–	Thread 4-40 UNC	–	Tray (32 pcs)	<b>204769</b>
9	SMT	3.6 mm	–	Thread 4-40 UNC	–	Tape & Reel (125 pcs)	<b>214776</b>
9	SMT	3.6 mm	–	Threaded bolt M3	–	Tray (32 pcs)	<b>154093</b>
9	SMT	3.6 mm	–	Threaded bolt 4-40 UNC	–	Tray (32 pcs)	<b>154094</b>
9	SMT	7.3 mm	–	None	–	Tray (32 pcs)	<b>174416</b>
9	SMT	7.3 mm	–	None	–	Tape & Reel (75 pcs)	<b>234940</b>
9	SMT	7.3 mm	–	Thread M3	–	Tray (32 pcs)	<b>154187</b>
9	SMT	7.3 mm	–	Thread 4-40 UNC	–	Tray (32 pcs)	<b>154188</b>
9	SMT	7.3 mm	–	Thread 4-40 UNC	–	Tape & Reel (75 pcs)	<b>223066</b>
9	SMT	7.3 mm	–	Threaded bolt M3	–	Tray (32 pcs)	<b>154189</b>
9	SMT	7.3 mm	–	Threaded bolt 4-40 UNC	–	Tray (32 pcs)	<b>154190</b>

## Ordering Information

### THR Versions

No. of Pins	Termination	Assembly Height	Termination Length	Accessory Mating Side	Accessory Terminal Side	Packaging	Part Number
9	THR	3.6 mm	3.0 mm	None	Clip with assembly force	Tray (32 pcs)	<b>174408</b>
9	THR	3.6 mm	3.0 mm	None	Clip without assembly force	Tray (32 pcs)	<b>204443</b>
9	THR	3.6 mm	3.0 mm	Thread M3	Clip with assembly force	Tray (32 pcs)	<b>154107</b>
9	THR	3.6 mm	3.0 mm	Thread M3	Clip without assembly force	Tray (32 pcs)	<b>204439</b>
9	THR	3.6 mm	3.0 mm	Thread 4-40 UNC	Clip with assembly force	Tray (32 pcs)	<b>154108</b>
9	THR	3.6 mm	3.0 mm	Thread 4-40 UNC	Clip without assembly force	Tray (32 pcs)	<b>204440</b>
9	THR	3.6 mm	3.0 mm	Threaded bolt M3	Clip with assembly force	Tray (32 pcs)	<b>154109</b>
9	THR	3.6 mm	3.0 mm	Threaded bolt M3	Clip without assembly force	Tray (32 pcs)	<b>204441</b>
9	THR	3.6 mm	3.0 mm	Threaded bolt 4-40 UNC	Clip with assembly force	Tray (32 pcs)	<b>154110</b>
9	THR	3.6 mm	3.0 mm	Threaded bolt 4-40 UNC	Clip without assembly force	Tray (32 pcs)	<b>204442</b>
9	THR	3.6 mm	3.0 mm	Threaded bolt 4-40 UNC	Clip without assembly force	Tape & Reel (125 pcs)	<b>223165</b>

## D-Sub Connectors

### Right Angle Male 9 Pin

#### Ordering Information

##### THR Versions

No. of Pins	Termination	Assembly Height	Termination Length	Accessory Mating Side	Accessory Terminal Side	Packaging	Part Number
9	THR	7.3 mm	3.0 mm	None	Clip with assembly force	Tray (32 pcs)	<b>174420</b>
9	THR	7.3 mm	3.0 mm	None	Clip without assembly force	Tray (32 pcs)	<b>204467</b>
9	THR	7.3 mm	3.0 mm	Thread M3	Clip with assembly force	Tray (32 pcs)	<b>154203</b>
9	THR	7.3 mm	3.0 mm	Thread M3	Clip without assembly force	Tray (32 pcs)	<b>204463</b>
9	THR	7.3 mm	3.0 mm	Thread 4-40 UNC	Clip with assembly force	Tray (32 pcs)	<b>154204</b>
9	THR	7.3 mm	3.0 mm	Thread 4-40 UNC	Clip without assembly force	Tray (32 pcs)	<b>204464</b>
9	THR	7.3 mm	3.0 mm	Thread 4-40 UNC	Clip without assembly force	Tape & Reel (75 pcs)	<b>224844</b>
9	THR	7.3 mm	3.0 mm	Threaded bolt M3	Clip with assembly force	Tray (32 pcs)	<b>154205</b>
9	THR	7.3 mm	3.0 mm	Threaded bolt M3	Clip without assembly force	Tray (32 pcs)	<b>204465</b>
9	THR	7.3 mm	3.0 mm	Threaded bolt 4-40 UNC	Clip with assembly force	Tray (32 pcs)	<b>154206</b>
9	THR	7.3 mm	3.0 mm	Threaded bolt 4-40 UNC	Clip without assembly force	Tray (32 pcs)	<b>204466</b>



**Ordering Information**

**Pressfit Versions**

No. of Pins	Termination	Assembly Height	Termination Length	Accessory Mating Side	Accessory Terminal Side	Packaging	Part Number
9	Pressfit	3.6 mm	3.0 mm	None	Clip	Tray (32 pcs)	<b>174412</b>
9	Pressfit	3.6 mm	3.0 mm	Thread M3	Clip	Tray (32 pcs)	<b>154123</b>
9	Pressfit	3.6 mm	3.0 mm	Thread 4-40 UNC	Clip	Tray (32 pcs)	<b>154124</b>
9	Pressfit	3.6 mm	3.0 mm	Threaded bolt M3	Clip	Tray (32 pcs)	<b>154125</b>
9	Pressfit	3.6 mm	3.0 mm	Threaded bolt 4-40 UNC	Clip	Tray (32 pcs)	<b>154126</b>
9	Pressfit	7.3 mm	3.0 mm	None	Clip	Tray (32 pcs)	<b>174424</b>
9	Pressfit	7.3 mm	3.0 mm	Thread M3	Clip	Tray (32 pcs)	<b>154219</b>
9	Pressfit	7.3 mm	3.0 mm	Thread 4-40 UNC	Clip	Tray (32 pcs)	<b>154220</b>
9	Pressfit	7.3 mm	3.0 mm	Threaded bolt M3	Clip	Tray (32 pcs)	<b>154221</b>
9	Pressfit	7.3 mm	3.0 mm	Threaded bolt 4-40 UNC	Clip	Tray (32 pcs)	<b>154222</b>
9	Pressfit	3.6 mm	3.0 mm	Thread M3	Screw M3	Tray (32 pcs)	<b>284488</b>
9	Pressfit	3.6 mm	3.0 mm	Thread 4-40 UNC	Screw 4-40 UNC	Tray (32 pcs)	<b>284489</b>
9	Pressfit	3.6 mm	3.0 mm	Threaded bolt 4-40 UNC	Screw 4-40 UNC	Tray (32 pcs)	<b>284490</b>
9	Pressfit	7.3 mm	3.0 mm	Thread 4-40 UNC	Screw 4-40 UNC	Tray (32 pcs)	<b>284500</b>
9	Pressfit	7.3 mm	3.0 mm	Threaded bolt 4-40 UNC	Screw 4-40 UNC	Tray (32 pcs)	<b>284501</b>
9	Pressfit	7.3 mm	3.0 mm	Threaded bolt 4-40 UNC	Screw M3	Tray (32 pcs)	<b>284502</b>

## D-Sub Connectors

### Right Angle Male 15 Pin

#### Ordering Information

##### SMT Versions

No. of Pins	Termination	Assembly Height	Termination Length	Accessory Mating Side	Accessory Terminal Side	Packaging	Part Number
15	SMT	3.6 mm	–	None	–	Tray (24 pcs)	<b>174405</b>
15	SMT	3.6 mm	–	Thread M3	–	Tray (24 pcs)	<b>214640</b>
15	SMT	3.6 mm	–	Thread 4-40 UNC	–	Tray (24 pcs)	<b>204770</b>
15	SMT	3.6 mm	–	Threaded bolt M3	–	Tray (24 pcs)	<b>154097</b>
15	SMT	3.6 mm	–	Threaded bolt 4-40 UNC	–	Tray (24 pcs)	<b>154098</b>
15	SMT	7.3 mm	–	None	–	Tray (24 pcs)	<b>174417</b>
15	SMT	7.3 mm	–	Thread M3	–	Tray (24 pcs)	<b>154191</b>
15	SMT	7.3 mm	–	Thread 4-40 UNC	–	Tray (24 pcs)	<b>154192</b>
15	SMT	7.3 mm	–	Threaded bolt M3	–	Tray (24 pcs)	<b>154193</b>
15	SMT	7.3 mm	–	Threaded bolt 4-40 UNC	–	Tray (24 pcs)	<b>154194</b>
15	SMT	7.3 mm	–	Threaded bolt 4-40 UNC	–	Tape & Reel (75 pcs)	<b>174990</b>

## D-Sub Connectors

### Right Angle Male 15 Pin

#### Ordering Information

##### THR Versions

No. of Pins	Termination	Assembly Height	Termination Length	Accessory Mating Side	Accessory Terminal Side	Packaging	Part Number
15	THR	3.6 mm	3.0 mm	None	Clip with assembly force	Tray (24 pcs)	<b>174409</b>
15	THR	3.6 mm	3.0 mm	None	Clip without assembly force	Tray (24 pcs)	<b>204449</b>
15	THR	3.6 mm	3.0 mm	Thread M3	Clip with assembly force	Tray (24 pcs)	<b>154111</b>
15	THR	3.6 mm	3.0 mm	Thread M3	Clip without assembly force	Tray (24 pcs)	<b>204445</b>
15	THR	3.6 mm	3.0 mm	Thread 4-40 UNC	Clip with assembly force	Tray (24 pcs)	<b>154112</b>
15	THR	3.6 mm	3.0 mm	Thread 4-40 UNC	Clip without assembly force	Tray (24 pcs)	<b>204446</b>
15	THR	3.6 mm	3.0 mm	Threaded bolt M3	Clip with assembly force	Tray (24 pcs)	<b>154113</b>
15	THR	3.6 mm	3.0 mm	Threaded bolt M3	Clip without assembly force	Tray (24 pcs)	<b>204447</b>
15	THR	3.6 mm	3.0 mm	Threaded bolt 4-40 UNC	Clip with assembly force	Tray (24 pcs)	<b>154114</b>
15	THR	3.6 mm	3.0 mm	Threaded bolt 4-40 UNC	Clip without assembly force	Tray (24 pcs)	<b>204448</b>

## D-Sub Connectors

### Right Angle Male 15 Pin

#### Ordering Information

No. of Pins	Termination	Assembly Height	Termination Length	Accessory Mating Side	Accessory Terminal Side	Packaging	Part Number
15	THR	7.3 mm	3.0 mm	None	Clip with assembly force	Tray (24 pcs)	<b>174421</b>
15	THR	7.3 mm	3.0 mm	None	Clip without assembly force	Tray (24 pcs)	<b>204473</b>
15	THR	7.3 mm	3.0 mm	Thread M3	Clip with assembly force	Tray (24 pcs)	<b>154207</b>
15	THR	7.3 mm	3.0 mm	Thread M3	Clip without assembly force	Tray (24 pcs)	<b>204469</b>
15	THR	7.3 mm	3.0 mm	Thread 4-40 UNC	Clip with assembly force	Tray (24 pcs)	<b>154208</b>
15	THR	7.3 mm	3.0 mm	Thread 4-40 UNC	Clip without assembly force	Tray (24 pcs)	<b>204470</b>
15	THR	7.3 mm	3.0 mm	Threaded bolt M3	Clip with assembly force	Tray (24 pcs)	<b>154209</b>
15	THR	7.3 mm	3.0 mm	Threaded bolt M3	Clip without assembly force	Tray (24 pcs)	<b>204471</b>
15	THR	7.3 mm	3.0 mm	Threaded bolt 4-40 UNC	Clip with assembly force	Tray (24 pcs)	<b>154210</b>
15	THR	7.3 mm	3.0 mm	Threaded bolt 4-40 UNC	Clip without assembly force	Tray (24 pcs)	<b>204472</b>

## D-Sub Connectors

### Right Angle Male 15 Pin

#### Ordering Information

##### Pressfit Versions

No. of Pins	Termination	Assembly Height	Termination Length	Accessory Mating Side	Accessory Terminal Side	Packaging	Part Number
15	Pressfit	3.6 mm	3.0 mm	None	Clip	Tray (24 pcs)	<b>174413</b>
15	Pressfit	3.6 mm	3.0 mm	Thread M3	Clip	Tray (24 pcs)	<b>154127</b>
15	Pressfit	3.6 mm	3.0 mm	Thread 4-40 UNC	Clip	Tray (24 pcs)	<b>154128</b>
15	Pressfit	3.6 mm	3.0 mm	Threaded bolt M3	Clip	Tray (24 pcs)	<b>154129</b>
15	Pressfit	3.6 mm	3.0 mm	Threaded bolt 4-40 UNC	Clip	Tray (24 pcs)	<b>154130</b>
15	Pressfit	7.3 mm	3.0 mm	None	Clip	Tray (24 pcs)	<b>174425</b>
15	Pressfit	7.3 mm	3.0 mm	Thread M3	Clip	Tray (24 pcs)	<b>154223</b>
15	Pressfit	7.3 mm	3.0 mm	Thread 4-40 UNC	Clip	Tray (24 pcs)	<b>154224</b>
15	Pressfit	7.3 mm	3.0 mm	Threaded bolt M3	Clip	Tray (24 pcs)	<b>154225</b>
15	Pressfit	7.3 mm	3.0 mm	Threaded bolt 4-40 UNC	Clip	Tray (24 pcs)	<b>154226</b>
15	Pressfit	3.6 mm	3.0 mm	Thread M3	Screw M3	Tray (24 pcs)	<b>284491</b>
15	Pressfit	3.6 mm	3.0 mm	Thread 4-40 UNC	Screw 4-40 UNC	Tray (24 pcs)	<b>284492</b>
15	Pressfit	3.6 mm	3.0 mm	Threaded bolt 4-40 UNC	Screw 4-40 UNC	Tray (24 pcs)	<b>284493</b>
15	Pressfit	7.3 mm	3.0 mm	Thread 4-40 UNC	Screw 4-40 UNC	Tray (24 pcs)	<b>284503</b>
15	Pressfit	7.3 mm	3.0 mm	Threaded bolt 4-40 UNC	Screw 4-40 UNC	Tray (24 pcs)	<b>284504</b>
15	Pressfit	7.3 mm	3.0 mm	Threaded bolt 4-40 UNC	Screw M3	Tray (24 pcs)	<b>284505</b>

## D-Sub Connectors

### Right Angle Male 25 Pin

#### Ordering Information

##### SMT Versions

No. of Pins	Termination	Assembly Height	Termination Length	Accessory Mating Side	Accessory Terminal Side	Packaging	Part Number
25	SMT	3.6 mm	–	None	–	Tray (20 pcs)	<b>174406</b>
25	SMT	3.6 mm	–	Thread M3	–	Tray (20 pcs)	<b>214641</b>
25	SMT	3.6 mm	–	Thread 4-40 UNC	–	Tray (20 pcs)	<b>204771</b>
25	SMT	3.6 mm	–	Threaded bolt M3	–	Tray (20 pcs)	<b>154101</b>
25	SMT	3.6 mm	–	Threaded bolt 4-40 UNC	–	Tray (20 pcs)	<b>154102</b>
25	SMT	7.3 mm	–	None	–	Tray (20 pcs)	<b>174418</b>
25	SMT	7.3 mm	–	None	–	Tape & Reel (75 pcs)	<b>234942</b>
25	SMT	7.3 mm	–	Thread M3	–	Tray (20 pcs)	<b>154195</b>
25	SMT	7.3 mm	–	Thread 4-40 UNC	–	Tray (20 pcs)	<b>154196</b>
25	SMT	7.3 mm	–	Threaded bolt M3	–	Tray (20 pcs)	<b>154197</b>
25	SMT	7.3 mm	–	Threaded bolt 4-40 UNC	–	Tray (20 pcs)	<b>154198</b>

## D-Sub Connectors

### Right Angle Male 25 Pin

#### Ordering Information

##### THR Versions

No. of Pins	Termination	Assembly Height	Termination Length	Accessory Mating Side	Accessory Terminal Side	Packaging	Part Number
25	THR	3.6 mm	3.0 mm	None	Clip with assembly force	Tray (20 pcs)	<b>174410</b>
25	THR	3.6 mm	3.0 mm	None	Clip without assembly force	Tray (20 pcs)	<b>204455</b>
25	THR	3.6 mm	3.0 mm	Thread M3	Clip with assembly force	Tray (20 pcs)	<b>154115</b>
25	THR	3.6 mm	3.0 mm	Thread M3	Clip without assembly force	Tray (20 pcs)	<b>204451</b>
25	THR	3.6 mm	3.0 mm	Thread 4-40 UNC	Clip with assembly force	Tray (20 pcs)	<b>154116</b>
25	THR	3.6 mm	3.0 mm	Thread 4-40 UNC	Clip without assembly force	Tray (20 pcs)	<b>204452</b>
25	THR	3.6 mm	3.0 mm	Threaded bolt M3	Clip with assembly force	Tray (20 pcs)	<b>154117</b>
25	THR	3.6 mm	3.0 mm	Threaded bolt M3	Clip without assembly force	Tray (20 pcs)	<b>204453</b>
25	THR	3.6 mm	3.0 mm	Threaded bolt 4-40 UNC	Clip with assembly force	Tray (20 pcs)	<b>154118</b>
25	THR	3.6 mm	3.0 mm	Threaded bolt 4-40 UNC	Clip without assembly force	Tray (20 pcs)	<b>204454</b>

## D-Sub Connectors

### Right Angle Male 25 Pin

#### Ordering Information

##### THR Versions

No. of Pins	Termination	Assembly Height	Termination Length	Accessory Mating Side	Accessory Terminal Side	Packaging	Part Number
25	THR	7.3 mm	3.0 mm	None	Clip with assembly force	Tray (20 pcs)	<b>174422</b>
25	THR	7.3 mm	3.0 mm	None	Clip without assembly force	Tray (20 pcs)	<b>204479</b>
25	THR	7.3 mm	3.0 mm	Thread M3	Clip with assembly force	Tray (20 pcs)	<b>154211</b>
25	THR	7.3 mm	3.0 mm	Thread M3	Clip without assembly force	Tray (20 pcs)	<b>204475</b>
25	THR	7.3 mm	3.0 mm	Thread M3	Clip without assembly force	Tape & Reel (75 pcs)	<b>254307</b>
25	THR	7.3 mm	3.0 mm	Thread 4-40 UNC	Clip with assembly force	Tray (20 pcs)	<b>154212</b>
25	THR	7.3 mm	3.0 mm	Thread 4-40 UNC	Clip without assembly force	Tray (20 pcs)	<b>204476</b>
25	THR	7.3 mm	3.0 mm	Threaded bolt M3	Clip with assembly force	Tray (20 pcs)	<b>154213</b>
25	THR	7.3 mm	3.0 mm	Threaded bolt M3	Clip without assembly force	Tray (20 pcs)	<b>204477</b>
25	THR	7.3 mm	3.0 mm	Threaded bolt 4-40 UNC	Clip with assembly force	Tray (20 pcs)	<b>154214</b>
25	THR	7.3 mm	3.0 mm	Threaded bolt 4-40 UNC	Clip without assembly force	Tray (20 pcs)	<b>204478</b>



## D-Sub Connectors

### Right Angle Male 25 Pin

#### Ordering Information

##### Pressfit Versions

No. of Pins	Termination	Assembly Height	Termination Length	Accessory Mating Side	Accessory Terminal Side	Packaging	Part Number
25	Pressfit	3.6 mm	3.0 mm	None	Clip	Tray (20 pcs)	<b>174414</b>
25	Pressfit	3.6 mm	3.0 mm	Thread M3	Clip	Tray (20 pcs)	<b>154131</b>
25	Pressfit	3.6 mm	3.0 mm	Thread 4-40 UNC	Clip	Tray (20 pcs)	<b>154132</b>
25	Pressfit	3.6 mm	3.0 mm	Threaded bolt M3	Clip	Tray (20 pcs)	<b>154133</b>
25	Pressfit	3.6 mm	3.0 mm	Threaded bolt 4-40 UNC	Clip	Tray (20 pcs)	<b>154134</b>
25	Pressfit	7.3 mm	3.0 mm	None	Clip	Tray (20 pcs)	<b>174426</b>
25	Pressfit	7.3 mm	3.0 mm	Thread M3	Clip	Tray (20 pcs)	<b>154227</b>
25	Pressfit	7.3 mm	3.0 mm	Thread 4-40 UNC	Clip	Tray (20 pcs)	<b>154228</b>
25	Pressfit	7.3 mm	3.0 mm	Threaded bolt M3	Clip	Tray (20 pcs)	<b>154229</b>
25	Pressfit	7.3 mm	3.0 mm	Threaded bolt 4-40 UNC	Clip	Tray (20 pcs)	<b>154230</b>
25	Pressfit	3.6 mm	3.0 mm	Thread M3	Screw M3	Tray (20 pcs)	<b>284494</b>
25	Pressfit	3.6 mm	3.0 mm	Thread 4-40 UNC	Screw 4-40 UNC	Tray (20 pcs)	<b>284495</b>
25	Pressfit	3.6 mm	3.0 mm	Threaded bolt 4-40 UNC	Screw 4-40 UNC	Tray (20 pcs)	<b>284496</b>
25	Pressfit	7.3 mm	3.0 mm	Thread 4-40 UNC	Screw 4-40 UNC	Tray (20 pcs)	<b>284506</b>
25	Pressfit	7.3 mm	3.0 mm	Threaded bolt 4-40 UNC	Screw 4-40 UNC	Tray (20 pcs)	<b>284507</b>
25	Pressfit	7.3 mm	3.0 mm	Threaded bolt 4-40 UNC	Screw M3	Tray (20 pcs)	<b>284508</b>

## D-Sub Connectors

### Right Angel Male 37 Pin

#### Ordering Information

##### SMT Versions

No. of Pins	Termination	Assembly Height	Termination Length	Accessory Mating Side	Accessory Terminal Side	Packaging	Part Number
37	SMT	3.6 mm	–	None	–	Tray (16 pcs)	<b>174407</b>
37	SMT	3.6 mm	–	Thread M3	–	Tray (16 pcs)	<b>214642</b>
37	SMT	3.6 mm	–	Thread 4-40 UNC	–	Tray (16 pcs)	<b>204772</b>
37	SMT	3.6 mm	–	Threaded bolt M3	–	Tray (16 pcs)	<b>154105</b>
37	SMT	3.6 mm	–	Threaded bolt 4-40 UNC	–	Tray (16 pcs)	<b>154106</b>
37	SMT	7.3 mm	–	None	–	Tray (16 pcs)	<b>174419</b>
37	SMT	7.3 mm	–	Thread M3	–	Tray (16 pcs)	<b>154199</b>
37	SMT	7.3 mm	–	Thread 4-40 UNC	–	Tray (16 pcs)	<b>154200</b>
37	SMT	7.3 mm	–	Threaded bolt M3	–	Tray (16 pcs)	<b>154201</b>
37	SMT	7.3 mm	–	Threaded bolt 4-40 UNC	–	Tray (16 pcs)	<b>154202</b>

## Ordering Information

### THR Versions

No. of Pins	Termination	Assembly Height	Termination Length	Accessory Mating Side	Accessory Terminal Side	Packaging	Part Number
37	THR	3.6 mm	3.0 mm	None	Clip with assembly force	Tray (16 pcs)	<b>174411</b>
37	THR	3.6 mm	3.0 mm	None	Clip without assembly force	Tray (16 pcs)	<b>204461</b>
37	THR	3.6 mm	3.0 mm	Thread M3	Clip with assembly force	Tray (16 pcs)	<b>154119</b>
37	THR	3.6 mm	3.0 mm	Thread M3	Clip without assembly force	Tray (16 pcs)	<b>204457</b>
37	THR	3.6 mm	3.0 mm	Thread 4-40 UNC	Clip with assembly force	Tray (16 pcs)	<b>154120</b>
37	THR	3.6 mm	3.0 mm	Thread 4-40 UNC	Clip without assembly force	Tray (16 pcs)	<b>204458</b>
37	THR	3.6 mm	3.0 mm	Threaded bolt M3	Clip with assembly force	Tray (16 pcs)	<b>154121</b>
37	THR	3.6 mm	3.0 mm	Threaded bolt M3	Clip without assembly force	Tray (16 pcs)	<b>204459</b>
37	THR	3.6 mm	3.0 mm	Threaded bolt 4-40 UNC	Clip with assembly force	Tray (16 pcs)	<b>154122</b>
37	THR	3.6 mm	3.0 mm	Threaded bolt 4-40 UNC	Clip without assembly force	Tray (16 pcs)	<b>204460</b>

## D-Sub Connectors

### Right Angel Male 37 Pin

#### Ordering Information

##### THR Versions

No. of Pins	Termination	Assembly Height	Termination Length	Accessory Mating Side	Accessory Terminal Side	Packaging	Part Number
37	THR	7.3 mm	3.0 mm	None	Clip with assembly force	Tray (16 pcs)	<b>174423</b>
37	THR	7.3 mm	3.0 mm	None	Clip without assembly force	Tray (16 pcs)	<b>204485</b>
37	THR	7.3 mm	3.0 mm	Thread M3	Clip with assembly force	Tray (16 pcs)	<b>154215</b>
37	THR	7.3 mm	3.0 mm	Thread M3	Clip without assembly force	Tray (16 pcs)	<b>204481</b>
37	THR	7.3 mm	3.0 mm	Thread 4-40 UNC	Clip with assembly force	Tray (16 pcs)	<b>154216</b>
37	THR	7.3 mm	3.0 mm	Thread 4-40 UNC	Clip without assembly force	Tray (16 pcs)	<b>204482</b>
37	THR	7.3 mm	3.0 mm	Threaded bolt M3	Clip with assembly force	Tray (16 pcs)	<b>154217</b>
37	THR	7.3 mm	3.0 mm	Threaded bolt M3	Clip without assembly force	Tray (16 pcs)	<b>204483</b>
37	THR	7.3 mm	3.0 mm	Threaded bolt 4-40 UNC	Clip with assembly force	Tray (16 pcs)	<b>154218</b>
37	THR	7.3 mm	3.0 mm	Threaded bolt 4-40 UNC	Clip without assembly force	Tray (16 pcs)	<b>204484</b>

## Ordering Information

### Pressfit Versions

No. of Pins	Termination	Assembly Height	Termination Length	Accessory Mating Side	Accessory Terminal Side	Packaging	Part Number
37	Pressfit	3.6 mm	3.0 mm	None	Clip	Tray (16 pcs)	<b>174415</b>
37	Pressfit	3.6 mm	3.0 mm	Thread M3	Clip	Tray (16 pcs)	<b>154135</b>
37	Pressfit	3.6 mm	3.0 mm	Thread 4-40 UNC	Clip	Tray (16 pcs)	<b>154136</b>
37	Pressfit	3.6 mm	3.0 mm	Threaded bolt M3	Clip	Tray (16 pcs)	<b>154137</b>
37	Pressfit	3.6 mm	3.0 mm	Threaded bolt 4-40 UNC	Clip	Tray (16 pcs)	<b>154138</b>
37	Pressfit	7.3 mm	3.0 mm	None	Clip	Tray (16 pcs)	<b>174427</b>
37	Pressfit	7.3 mm	3.0 mm	Thread M3	Clip	Tray (16 pcs)	<b>154231</b>
37	Pressfit	7.3 mm	3.0 mm	Thread 4-40 UNC	Clip	Tray (16 pcs)	<b>154232</b>
37	Pressfit	7.3 mm	3.0 mm	Threaded bolt M3	Clip	Tray (16 pcs)	<b>154233</b>
37	Pressfit	7.3 mm	3.0 mm	Threaded bolt 4-40 UNC	Clip	Tray (16 pcs)	<b>154234</b>
37	Pressfit	3.6 mm	3.0 mm	Thread M3	Screw M3	Tray (16 pcs)	<b>284497</b>
37	Pressfit	3.6 mm	3.0 mm	Thread 4-40 UNC	Screw 4-40 UNC	Tray (16 pcs)	<b>284498</b>
37	Pressfit	3.6 mm	3.0 mm	Threaded bolt 4-40 UNC	Screw 4-40 UNC	Tray (16 pcs)	<b>284499</b>
37	Pressfit	7.3 mm	3.0 mm	Thread 4-40 UNC	Screw 4-40 UNC	Tray (16 pcs)	<b>284509</b>
37	Pressfit	7.3 mm	3.0 mm	Threaded bolt 4-40 UNC	Screw M3	Tray (16 pcs)	<b>284511</b>
37	Pressfit	7.3 mm	3.0 mm	Threaded bolt 4-40 UNC	Screw 4-40 UNC	Tray (16 pcs)	<b>284510</b>