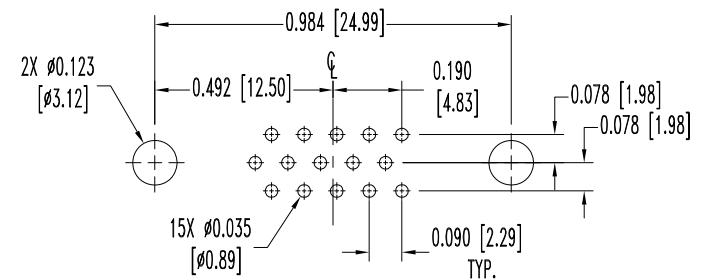
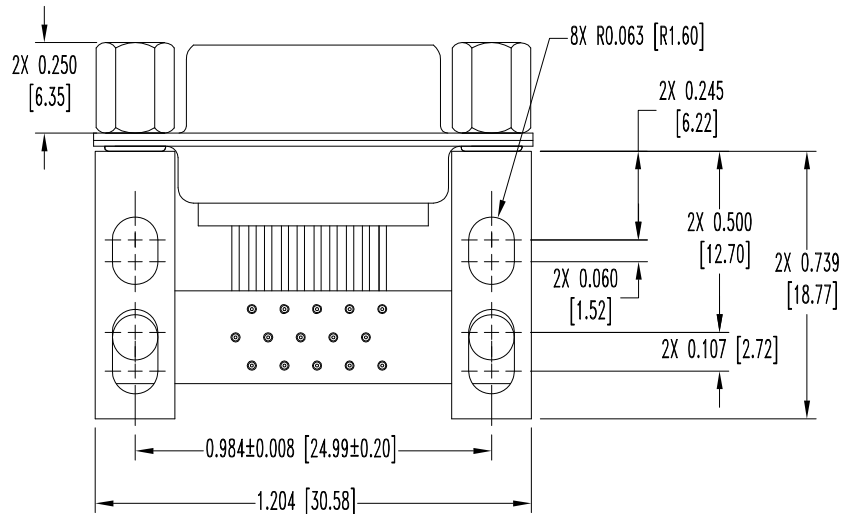
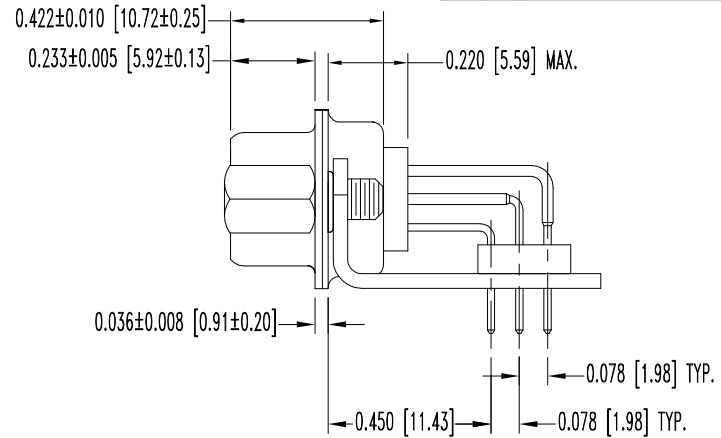
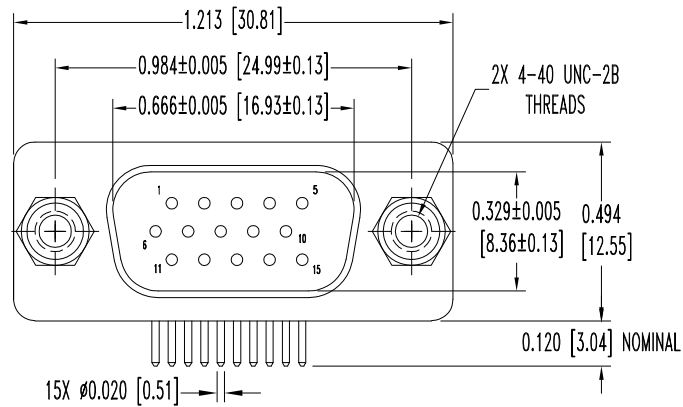


THIS DRAWING CONTAINS INFORMATION PROPRIETARY TO POSITRONIC AND ITS SUBSIDIARIES. POSITRONIC BELIEVES THE DATA ON THIS DRAWING TO BE RELIABLE. SINCE THE TECHNICAL INFORMATION IS GIVEN FREE OF CHARGE, THE USER EMPLOYS SUCH INFORMATION AT HIS OWN DISCRETION AND RISK. POSITRONIC ASSUMES NO RESPONSIBILITY FOR RESULTS OBTAINED OR DAMAGES INCURRED FROM USE OF SUCH INFORMATION IN WHOLE OR IN PART.

DATE	REV	REVISION RECORD	APP	DR	CK
10-02-07	NC	ECO 28487	RCW	YK	TK
5-5-10	A	ECO 32439	COLE	ME	SY



CONTACT HOLE PATTERN

NOTES:

- MATERIALS AND FINISHES:  
 INSULATORS: GLASS FILLED POLYESTER PER ASTM D5927, UL 94V-0, COLOR BLACK.  
 CONTACTS: PRECISION MACHINED COPPER ALLOY, GOLD FLASH OVER NICKEL FINISH.  
 SHELLS: STEEL, ZINC PLATE WITH CHROMATE SEAL.  
 MOUNTING BRACKETS: BRASS, ZINC PLATE WITH CHROMATE SEAL.  
 JACKSCREWS: BRASS, ZINC PLATE WITH CHROMATE SEAL.  
 ALIGNMENT BAR: GLASS FILLED NYLON, COLOR BLACK.
- DETAILED PRODUCT, ELECTRICAL, AND MECHANICAL INFORMATION IS AVAILABLE IN THE LATEST HIGH DENSITY D-SUB PRODUCT PUBLICATION. VISIT [CONNECTPOSITRONIC.COM/PRODUCTS/59/HIGHDENSITYD-SUBMINIATURE](http://CONNECTPOSITRONIC.COM/PRODUCTS/59/HIGHDENSITYD-SUBMINIATURE) OR [CONNECTPOSITRONIC.COM](http://CONNECTPOSITRONIC.COM).
- DIMENSIONS ARE IN INCHES [MILLIMETERS].

	<b>POSITRONIC INDUSTRIES INC.</b> www.connectpositronic.com		FSCM 28198
	DECIMAL TOL. ± 0.015 [0.38]	ODD SERIES	SCALE N.T.S.
ANGULAR TOL. ± 5°	DATE 10-02-07	DRAWING NUMBER SK8970	APPROVED BY RCW
TITLE <b>ODD15M5B30T0</b>			
			REV. A