

PRODUCT NUMBER
10075974-X52-XXALF

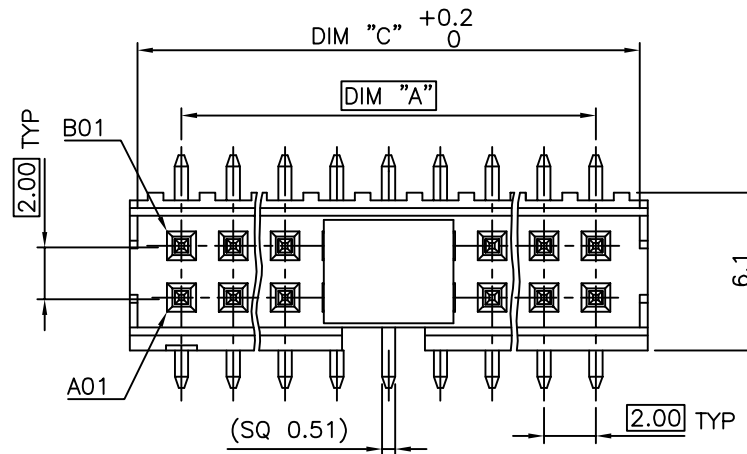
PLATING

- S = 0.38µm GOLD/GXT ON CONTACT AREA
3.81µm TIN LEAD ON TAIL
- G = 0.76µm GOLD/GXT ON CONTACT AREA
3.81µm TIN LEAD ON TAIL.
- F = GOLD FASH ON CONTACT AREA
3.81µm TIN LEAD ON TAIL.

RoHS COMPATIBLE
SEE NOTE 5

TAPE & REEL PACKAGING
SEE NOTE 4

PIN STYLE	NBR OF POS	DIM "A"	DIM "B"	DIM "C"
12	2x6	10	14	13.4
14	2X7	12	16	15.4
16	2X8	14	18	17.4



NOTES:

1. MATERIAL HOUSING: HIGH TEMP. THERMOPLASTIC UL 94V-0, COLOR CREAM
2. MATERIAL TERMINAL: COPPER ALLOY
3. 7N MIN. PIN RETENTION IN EITHER DIRECTION.
4. PACKAGING:
A = TAPE AND REEL WITH PICK UP CAP INSTALLED IN THE CENTER OF THE PRODUCT FOR PICK AND PLACE SEE TA 884 FOR PRODUCT AVAILABILITY.

5. RoHS COMPATIBLE PRODUCT SPECIFICATIONS

a - PLATING:

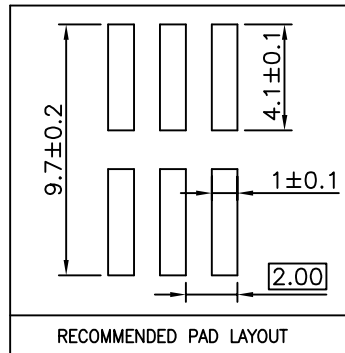
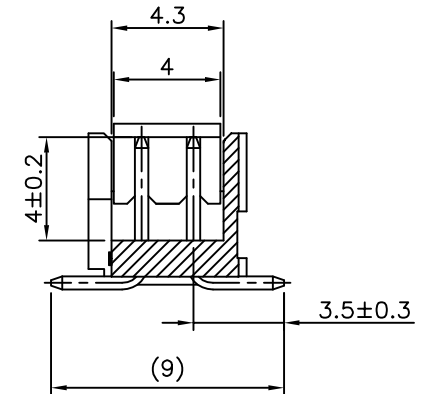
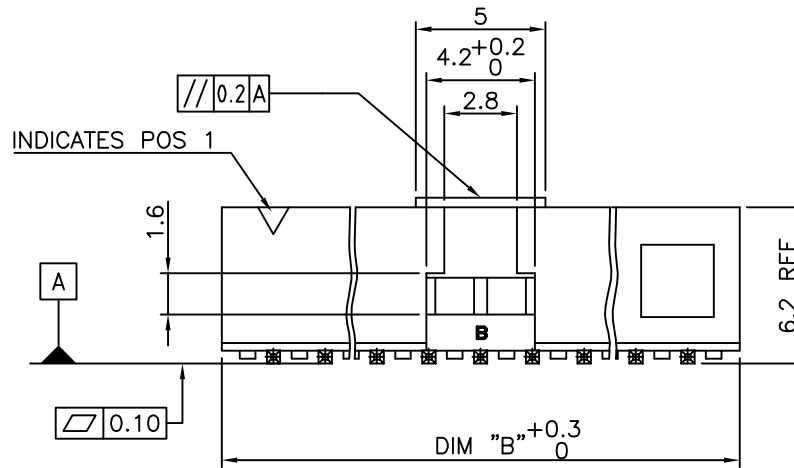
- "LF" MEANS THE PRODUCT IS LEAD-FREE, 2µm MINIMUM MATTE TIN OVER 1.27µm MINIMUM NICKEL UNDERPLATE.

b - MANUFACTURING PROCESS COMPATIBILITY

- THE HOUSING WILL WITHSTAND EXPOSURE TO 260°C PEAK TEMPERATURE FOR 30 SECONDES MAX IN A CONVECTION, INFRA-RED OR VAPOR PHASE OR REFLOW OVEN.

c - LABELLING:

- MEETS PACKAGING SPECS AS PER GS-14-920
- THIS PRODUCT MEETS EUROPEAN DIRECTIVES AND OTHER COUNTRY REGULATIONS AS DISCRIBED IN GS-22-008.



mat'l. code SEE NOTES		surface ISO 1302	tolerance ISO 406 ISO 1101	projection mm	product family MINITEK
ltr	ecn no	dr	date	tolerances unless otherwise specified	title
A	F08-0111	LMU	08.01.11	angles linear X.X ±0.3	SHR HEADER 2.00 VERTICAL SMT
B	F08-0145	ELA	08.04.17	X.XX ±0.13	
C	F11-0071	JCO	11.06.17	X.XXX ±0.05	scale 1:1
D	F11-0337	JCO	11.11.05	dr L.MULIN 07.01.23	dwg no sheet 1 of 1 size
				engr J.COMPAGNON 07.01.23	10075974 A3
				chr	type CUSTOMER Drawing
				appd JMC 07.01.23	
sheet index	revision sheet				