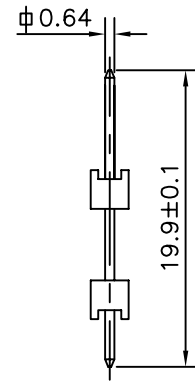
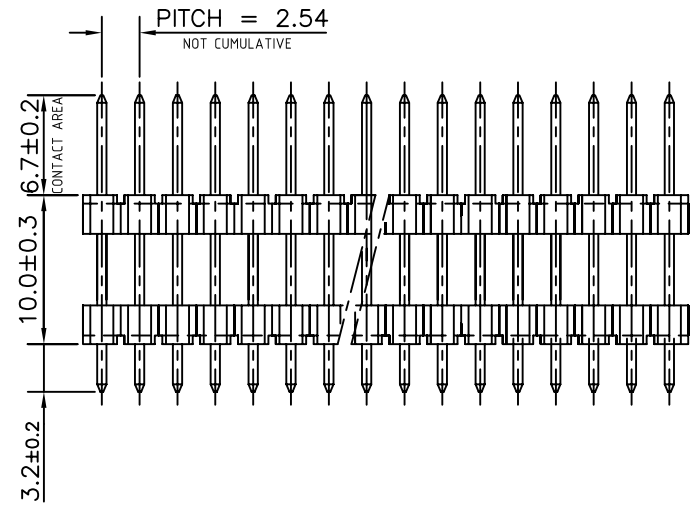
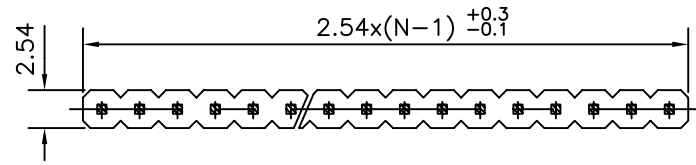
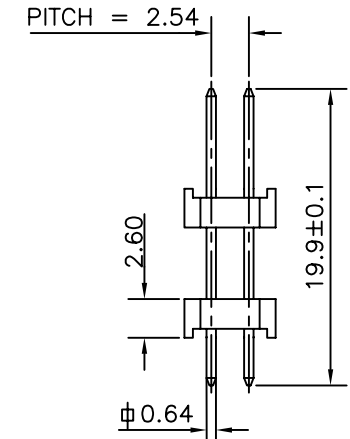
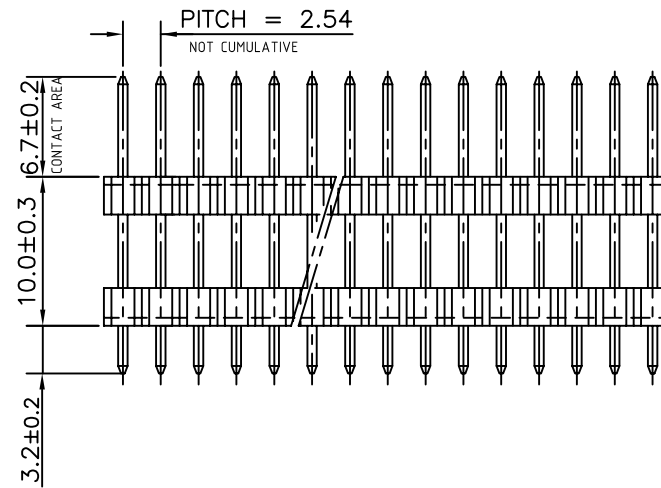
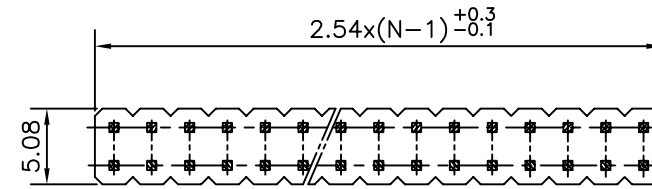


SINGLE ROW (1 YD)



DOUBLE ROW (2 YD)



ORDERING INFORMATION

8614-00-xx-x-YD-x-716-xx

SERIES

OPEN MALE HEADER

NO: OF CONTACTS

(SINGLE ROW - 1 TO 36 POS.)
(DOUBLE ROW - 2 TO 72 POS.)

1 - SINGLE ROW

2 - DOUBLE ROW

YD - SPACER CONTACTS

LF :-LEAD FREE

SPECIAL CODES

PLATING

- 1 - Matt TIN (LF) / TIN LEAD
- 2 - 0.2μ Au
- 6 - 0.75μ Au
- 8 - 1.27μ Au
- 10 - FULL GOLD FLASH (NOTE-2)

NOTES :

1. THE PRODUCT (LF) MEETS EUROPEAN UNION DIRECTIVES AND OTHER COUNTRY REGULATIONS AS DESCRIBED IN GS-22-008
2. SHELF LIFE : SIX MONTHS FROM DATE OF MANUFACTURING

TECHNICAL SPECIFICATION

- INSULATOR MATERIAL : SELF EXTINGUISHING THERMOPLASTIC (UL94 V0)
- CONTACT MATERIAL : COPPER ALLOY
- MAXIMUM VOLTAGE : 500 V rms.
- NOMINAL CURRENT : 3A AT 20°C
- INSULATION RESISTANCE : ≥ 1000 M Ω
- CONTACT RESISTANCE : ≤ 20 m Ω
- CLIMATIC CATAGORY : -40°C TO +100°C / 21 DAYS EXPOSURE TO- INDUSTRIAL ENVIRONMENT HUMIDITY TEST AS HE-14.

mat'l. code		surface		tolerance		projection		product family	
REF TECH SPEC		ISO 1302 ✓		ISO 406 ISO 1101				8614	
ltr		ecn no		dr		date		title	
A		107-0115		MINI		2007-09-08		SPACER (SINGLE ROW & DUALROW)	
B		108-0006		MINI		2008-01-17			
				angles		linear		scale	
				0°±1°				MM	
				dr		2007-09-08		dwg no	
				enr		2007-09-08		sheet 1 of 1	
				chr		2008-01-17		size	
				appd		2008-01-17		A3	
sheet index		revision		B				type	
1		sheet		1				Product Customer Drawing	