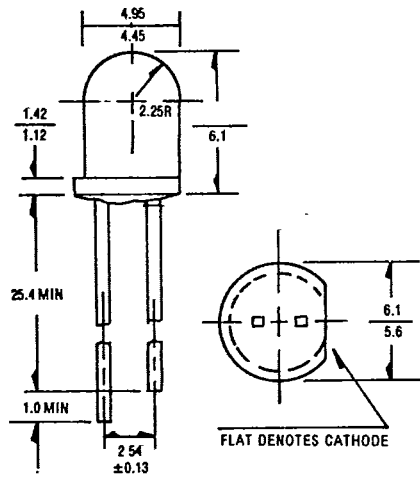


LUMEX-Lites®

FAMILY SERIES SSL-LX4073 (20) MAIN FEATURES

- LOW COST LED LAMP
- LONG LEADS (1" MIN)
- REPLACEMENTS FOR FLV SERIES 110, 210, 310, 410
- FIVE COLORS
- THREE LENS TYPES
- LOW OPERATING POWER

PACKAGE DIMENSIONS (Dimensions in Millimeters)



WHERE AND HOW TO USE THIS SERIES

- FRONT PANEL INDICATORS
- BACKLIGHTING
- FAULT INDICATORS
- LIGHTED SWITCHES
- KEYBOARDS
- INSTRUMENT INDICATOR

Limits of Safe Operation (at 25°C)

Color	Power Dissip.	Power Derating Over +25°C/°C	Continuous IF Max.
Red	140 mW	-1.4 mW	70 mA
Br-Red	110 mW	-1.2 mW	35 mA
Green	110 mW	-1.2 mW	35 mA
Yellow	110 mW	-1.2 mW	35 mA
Orange	110 mW	-1.2 mW	35 mA

Peak Forward Current (1µs Pulse .03% Duty Cycle) 1.0 A
Storage and Operating Temperature -55 to +100°C
Soldering Time @ 260°C 5 Sec. Max.

PART SELECTION AND APPLICATION INFORMATION (RATINGS AT 25°C AMBIENT)

Lumex Part Number	Use Code	Light Color (Wave Length)	Epoxy Lens Color	Avg Brightness At 20 mA (IF)	Viewing Angle	Forward Volts At 20 mA	Reverse Volts At 100 µA
SSL-LX4073RD	A,B	Red (655NM)	Red Diffused	3.6 MCD	80°	1.7 Typ. 2.1 Max.	3.0 BVR Min.
SSL-LX4073RT	C,D	Red (655NM)	Red Transp.	10.0 MCD	35°	1.7 Typ. 2.1 Max.	3.0 BVR Min.
SSL-LX4073RC	C,D	Red (655NM)	Water Clear	12.0 MCD	25°	1.7 Typ. 2.1 Max.	3.0 BVR Min.
SSL-LX4073ID	A,B	Br-Red (635NM)	Red Diffused	8.0 MCD	80°	2.0 Typ. 2.8 Max.	5.0 BVR Min.
SSL-LX4073IT	C,D	Br-Red (635NM)	Red Transp.	35.0 MCD	35°	2.0 Typ. 2.8 Max.	5.0 BVR Min.
SSL-LX4073IC	C,D	Br-Red (635NM)	Water Clear	40.0 MCD	25°	2.0 Typ. 2.8 Max.	5.0 BVR Min.
SSL-LX4073GD	A,B	Green (565NM)	Green Diffused	5.0 MCD	80°	2.1 Typ. 2.8 Max.	5.0 BVR Min.
SSL-LX4073GT	B,C	Green (565NM)	Green Transp.	14.0 MCD	35°	2.1 Typ. 2.8 Max.	5.0 BVR Min.
SSL-LX4073GC	C,D	Green (565NM)	Water Clear	18.0 MCD	25°	2.1 Typ. 2.8 Max.	5.0 BVR Min.
SSL-LX4073YD	A,B	Yellow (585NM)	Yellow Diffused	6.0 MCD	80°	2.1 Typ. 2.8 Max.	5.0 BVR Min.
SSL-LX4073YT	B,C	Yellow (585NM)	Yellow Transp.	14.0 MCD	35°	2.1 Typ. 2.8 Max.	5.0 BVR Min.
SSL-LX4073YC	C,D	Yellow (585NM)	Water Clear	16.0 MCD	25°	2.1 Typ. 2.8 Max.	5.0 BVR Min.
SSL-LX4073OD	C,D	Orange (630NM)	Orange Diffused	7.0 MCD	80°	2.1 Typ. 2.8 Max.	5.0 BVR Min.
SSL-LX4073OT	B,C	Orange (635NM)	Orange Transp.	36.0 MCD	35°	2.0 Typ. 2.0 Max.	5.0 BVR Min.

Use Code (A) Front Panels (B) Fault Indicator (C) Backlighting (D) Bright Point or Spot

See page 6 for typical operating curves