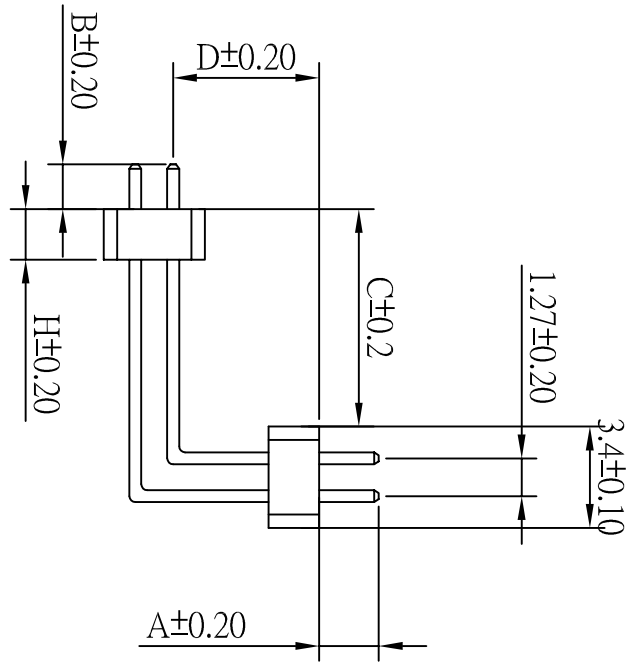
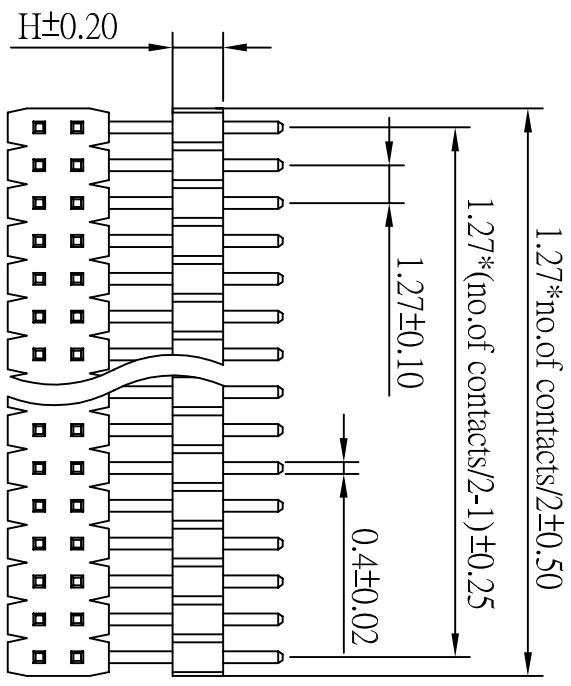


CUSTOMER COPY



ORDER INFORMATION
181 70 XX XX X

REV	ECN NO.	APP.	DATE
A	NEW DESIGN		

Plating:
3: All Gold

No. of Pos
(04~100)
00:100

Pin chart

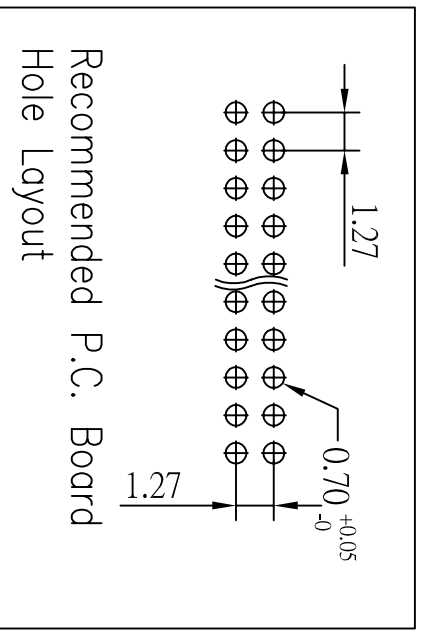
Type

SPECIFICATION

- * Current Rating: 1 A
 - * Withstanding Voltage: 500 VAC (1 min.)
 - * Insulation Resistance: 5000 Megohms MIN.
 - * Contact Resistance: 30 Milliohms MAX.
 - * Operating Temperature: -40°C to +105°C
 - * Retention Force:
- MATERIAL**
- * Contact: Brass
 - * Insulator: High temperature plastic
 - * Plating: Gold

Pin Chart

No.	A	B	C	D	H
00	2.00	1.50	5.80	4.90	1.70
01	3.50	2.00	9.30	5.40	2.00
02					
03					



		ACMELUX CO., LTD.	
TEL:886-85124595		FAX:886-85124322	
0.0±	SCALE:	TITLE:	
0.00±	UNIT:	1.27x1.27MM Pin Header	
0.000±	MM	R/A Dual Base Dual Row	
MATERIAL:		CHK BY:	
DWG. NO. C18170XXXX		DR BY: CHERYL	
		PART NO:	108600
		APP BY:	