

CYPRESS SEMICONDUCTOR



CYPRESS SEMICONDUCTOR

T-4635

**CY7C420, CY7C421
CY7C424, CY7C425
CY7C428, CY7C429**

**Cascadeable 512 x 9 FIFO
Cascadeable 1K x 9 FIFO
Cascadeable 2K x 9 FIFO**

Features

- 512 x 9, 1,024 x 9, 2,048 x 9 FIFO buffer memory
- Dual-port RAM cell
- Asynchronous read/write
- High-speed 33.3-MHz read/write independent of depth/width
- Low operating power
 - I_{CC} (max.) = 142 mA (commercial)
 - I_{CC} (max.) = 147 mA (military)
- Half Full flag in standalone
- Empty and Full flags
- Retransmit in standalone
- Expandable in width and depth
- Parallel cascade minimizes bubble-through
- 5V ± 10% supply
- 300-mil DIP packaging
- 300-mil SOJ packaging

- TTL compatible
- Three-state outputs
- Pin compatible and functional equivalent to IDT7201, IDT7202, and IDT7203

Functional Description

The CY7C420/CY7C421, CY7C424/CY7C425, and CY7C428/CY7C429 are first-in first-out (FIFO) memories offered in 600-mil wide and 300-mil wide packages. They are, respectively, 512, 1,024, and 2,048 words by 9-bits wide. Each FIFO memory is organized such that the data is read in the same sequential order that it was written. Full and Empty flags are provided to prevent overrun and underrun. Three additional pins are also provided to facilitate unlimited expansion in width, depth, or both. The depth expansion technique steers the control signals from one device to another in parallel, thus eliminating the serial addition of propagation delays, so that throughput is not reduced. Data is steered in a similar manner.

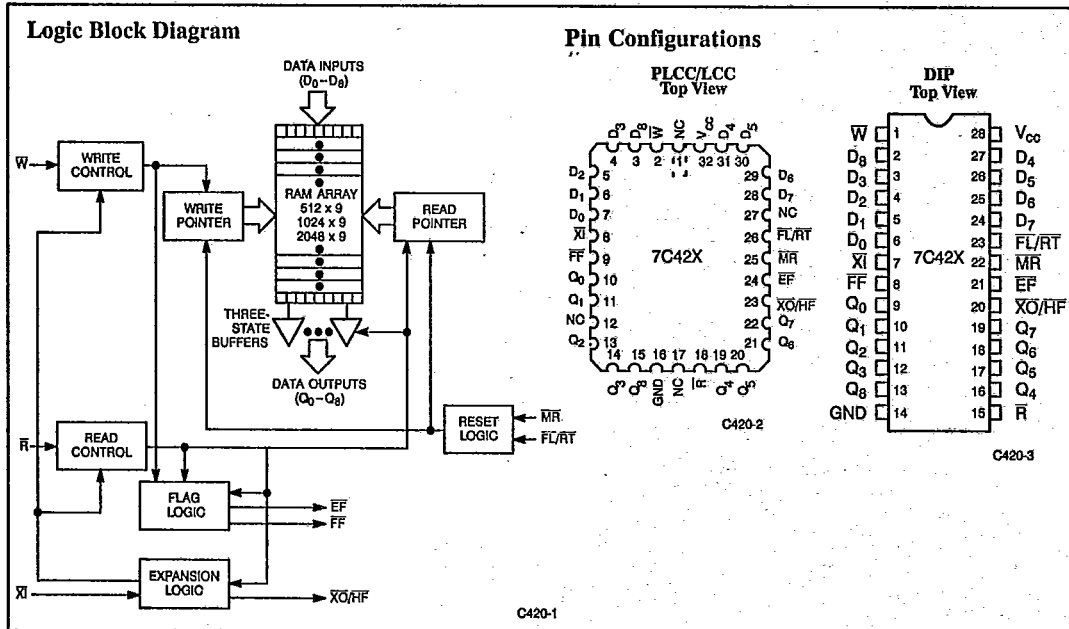
The read and write operations may be asynchronous; each can occur at a rate of

33.3 MHz. The write operation occurs when the write (W) signal is LOW. Read occurs when read (R) goes LOW. The nine data outputs go to the high-impedance state when R is HIGH.

A Half Full (HF) output flag is provided that is valid in the standalone and width expansion configurations. In the depth expansion configuration, this pin provides the expansion out (XO) information that is used to tell the next FIFO that it will be activated.

In the standalone and width expansion configurations, a LOW on the retransmit (RT) input causes the FIFOs to retransmit the data. Read enable (RE) and write enable (WE) must both be HIGH during retransmit, and then R is used to access the data.

The CY7C420, CY7C421, CY7C424, CY7C425, CY7C428, and CY7C429 are fabricated using an advanced 0.8-micron N-well CMOS technology. Input ESD protection is greater than 2000V and latch-up is prevented by careful layout, guard rings, and a substrate bias generator.





Selection Guide

| | 7C420-20 7C421-20 7C424-20 7C425-20 7C428-20 7C429-20 | 7C420-25 7C421-25 7C424-25 7C425-25 7C428-25 7C429-25 | 7C420-30 7C421-30 7C424-30 7C425-30 7C428-30 7C429-30 | 7C420-40 7C421-40 7C424-40 7C425-40 7C428-40 7C429-40 | 7C420-65 7C421-65 7C424-65 7C425-65 7C428-65 7C429-65 |
|--------------------------------|--|--|--|--|--|
| Frequency (MHz) | 33.3 | 28.5 | 25 | 20 | 12.5 |
| Maximum Access Time (ns) | 20 | 25 | 30 | 40 | 65 |
| Maximum Operating Current (mA) | Commercial | 142 | 132 | 125 | 115 |
| | Military/Industrial | | 147 | 140 | 130 |

Maximum Rating

(Above which the useful life may be impaired. For user guidelines, not tested.)

- Storage Temperature - 65°C to +150°C
- Ambient Temperature with Power Applied - 55°C to +125°C
- Supply Voltage to Ground Potential - 0.5V to +7.0V
- DC Voltage Applied to Outputs in High Z State - 0.5V to +7.0V
- DC Input Voltage - 3.0V to +7.0V
- Power Dissipation 1.0W
- Output Current, into Outputs (LOW) 20 mA

Static Discharge Voltage >2001V (per MIL-STD-883, Method 3015)

Latch-Up Current >200 mA

Operating Range

| Range | Ambient Temperature ^[1] | V _{CC} |
|------------|------------------------------------|-----------------|
| Commercial | 0°C to +70°C | 5V ± 10% |
| Industrial | - 40°C to +85°C | 5V ± 10% |
| Military | - 55°C to +125°C | 5V ± 10% |

Electrical Characteristics Over the Operating Range^[2]

| Parameter | Description | Test Conditions | 7C420-20 7C421-20 7C424-20 7C425-20 7C428-20 7C429-20 | | 7C420-25 7C421-25 7C424-25 7C425-25 7C428-25 7C429-25 | | 7C420-30 7C421-30 7C424-30 7C425-30 7C428-30 7C429-30 | | Units | |
|------------------|---|--|--|------|--|------|--|------|-----------------|----|
| | | | Min. | Max. | Min. | Max. | Min. | Max. | | |
| V _{OH} | Output HIGH Voltage | V _{CC} = Min., I _{OH} = - 2.0 mA | 2.4 | | 2.4 | | 2.4 | | V | |
| V _{OL} | Output LOW Voltage | V _{CC} = Min., I _{OL} = 8.0 mA | | 0.4 | | 0.4 | | 0.4 | V | |
| V _{IH} | Input HIGH Voltage | | Com'l | 2.0 | V _{CC} | 2.0 | V _{CC} | 2.0 | V _{CC} | V |
| | | | Mil/Ind | | | 2.2 | V _{CC} | 2.2 | V _{CC} | |
| V _{IL} | Input LOW Voltage | | -3.0 | 0.8 | -3.0 | 0.8 | -3.0 | 0.8 | V | |
| I _{IX} | Input Leakage Current | GND ≤ V _I ≤ V _{CC} | - 10 | +10 | - 10 | +10 | - 10 | +10 | µA | |
| I _{OZ} | Output Leakage Current | $\bar{R} \geq V_{IH}, GND \leq V_O \leq V_{CC}$ | - 10 | +10 | - 10 | +10 | - 10 | +10 | µA | |
| I _{CC} | Operating Current | V _{CC} = Max., I _{OUT} = 0 mA | Com'l ^[3] | | 142 | | 132 | | 125 | mA |
| | | | Mil/Ind ^[4] | | | | 147 | | 140 | |
| I _{SB1} | Standby Current | All Inputs = V _{IH} Min. | Com'l | | 30 | | 25 | | 25 | mA |
| | | | Mil/Ind | | | | 30 | | 30 | |
| I _{SB2} | Power-Down Current | All Inputs ≥ V _{CC} - 0.2V | Com'l | | 25 | | 20 | | 20 | mA |
| | | | Mil/Ind | | | | 25 | | 25 | |
| I _{OS} | Output Short Circuit Current ^[5] | V _{CC} = Max., V _{OUT} = GND | | - 90 | | - 90 | | - 90 | mA | |

Notes:

- T_A is the "instant on" case temperature.
- See the last page of this specification for Group A subgroup testing information.
- I_{CC}(commercial) = 100 mA + [(f̄ - 12.5) * 2 mA/MHz] for f̄ ≥ 12.5 MHz where f̄ = the larger of the write or read operating frequency.
- I_{CC}(military) = 115 mA + [(f̄ - 12.5) * 2 mA/MHz] for f̄ ≥ 12.5 MHz where f̄ = the larger of the write or read operating frequency.
- For test purposes, not more than one output at a time should be shorted. Short circuit test duration should not exceed 30 seconds.

FIFOS



Electrical Characteristics Over the Operating Range^[2] (continued)

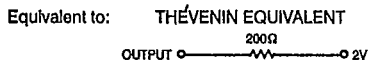
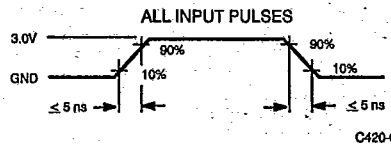
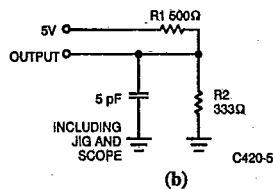
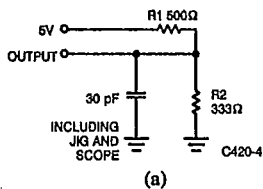
| Parameter | Description | Test Conditions | 7C420-40 7C421-40 7C424-40 7C425-40 7C428-40 7C429-40 | | 7C420-65 7C421-65 7C424-65 7C425-65 7C428-65 7C429-65 | | Units | |
|------------------|---|--|--|------|--|------|-----------------|----|
| | | | Min. | Max. | Min. | Max. | | |
| V _{OH} | Output HIGH Voltage | V _{CC} = Min., I _{OH} = -2.0 mA | 2.4 | | 2.4 | | V | |
| V _{OL} | Output LOW Voltage | V _{CC} = Min., I _{OL} = 8.0 mA | | 0.4 | | 0.4 | V | |
| V _{IH} | Input HIGH Voltage | | Com'l | 2.0 | V _{CC} | 2.0 | V _{CC} | V |
| | | | Mil/Ind | 2.2 | V _{CC} | 2.2 | V _{CC} | |
| V _{IL} | Input LOW Voltage | | -3.0 | 0.8 | -3.0 | 0.8 | V | |
| I _{IX} | Input Leakage Current | GND ≤ V _I ≤ V _{CC} | -10 | +10 | -10 | +10 | μA | |
| I _{OZ} | Output Leakage Current | $\bar{R} \geq V_{IH}$, GND ≤ V _O ≤ V _{CC} | -10 | +10 | -10 | +10 | μA | |
| I _{CC} | Operating Current | V _{CC} = Max., I _{OUT} = 0 mA | Com'l ^[3] | | 115 | | 100 | mA |
| | | | Mil/Ind ^[4] | | 130 | | 115 | |
| I _{SB1} | Standby Current | All Inputs = V _{IH} Min. | Com'l | | 25 | | 25 | mA |
| | | | Mil | | 30 | | 30 | |
| I _{SB2} | Power-Down Current | All Inputs ≥ V _{CC} - 0.2V | Com'l | | 20 | | 20 | mA |
| | | | Mil | | 25 | | 25 | |
| I _{OS} | Output Short Circuit Current ^[5] | V _{CC} = Max., V _{OUT} = GND | | -90 | | -90 | mA | |

Capacitance^[6]

| Parameters | Description | Test Conditions | Max. | Units |
|------------------|--------------------|---|------|-------|
| C _{IN} | Input Capacitance | T _A = 25°C, f = 1 MHz, V _{CC} = 4.5V | 8 | pF |
| C _{OUT} | Output Capacitance | | 10 | pF |

Notes:
6. Tested initially and after any design or process changes that may affect these parameters.

AC Test Loads and Waveforms





T-46-35

Switching Characteristics Over the Operating Range^[7,8]

| Parameters | Description | 7C420-20 7C421-20 7C424-20 7C425-20 7C428-20 7C429-20 | | 7C420-25 7C421-25 7C424-25 7C425-25 7C428-25 7C429-25 | | 7C420-30 7C421-30 7C424-30 7C425-30 7C428-30 7C429-30 | | 7C420-40 7C421-40 7C424-40 7C425-40 7C428-40 7C429-40 | | 7C420-65 7C421-65 7C424-65 7C425-65 7C428-65 7C429-65 | | Units |
|------------------------------------|---|--|------|--|------|--|------|--|------|--|------|-------|
| | | Min. | Max. | Min. | Max. | Min. | Max. | Min. | Max. | Min. | Max. | |
| t _{RC} | Read Cycle Time | 30 | | 35 | | 40 | | 50 | | 80 | | ns |
| t _A | Access Time | | 20 | | 25 | | 30 | | 40 | | 65 | ns |
| t _{RR} | Read Recovery Time | 10 | | 10 | | 10 | | 10 | | 15 | | ns |
| t _{PR} | Read Pulse Width | 20 | | 25 | | 30 | | 40 | | 65 | | ns |
| t _{LZR} ^[9] | Read LOW to Low Z | 3 | | 3 | | 3 | | 3 | | 3 | | ns |
| t _{DVR} ^[9,10] | Read HIGH to Data Valid | 3 | | 3 | | 3 | | 3 | | 3 | | ns |
| t _{HZR} ^[9,10] | Read HIGH to High Z | | 15 | | 18 | | 20 | | 25 | | 30 | ns |
| t _{WC} | Write Cycle Time | 30 | | 35 | | 40 | | 50 | | 80 | | ns |
| t _{PW} | Write Pulse Width | 20 | | 25 | | 30 | | 40 | | 65 | | ns |
| t _{HWZ} ^[9] | Write HIGH to Low Z | 10 | | 10 | | 10 | | 10 | | 10 | | ns |
| t _{WR} | Write Recovery Time | 10 | | 10 | | 10 | | 10 | | 15 | | ns |
| t _{SD} | Data Set-Up Time | 12 | | 15 | | 18 | | 20 | | 30 | | ns |
| t _{HD} | Data Hold Time | 0 | | 0 | | 0 | | 0 | | 10 | | ns |
| t _{MRSC} | MR Cycle Time | 30 | | 35 | | 40 | | 50 | | 80 | | ns |
| t _{PMR} | MR Pulse Width | 20 | | 25 | | 30 | | 40 | | 65 | | ns |
| t _{RMR} | MR Recovery Time | 10 | | 10 | | 10 | | 10 | | 15 | | ns |
| t _{RPW} | Read HIGH to MR HIGH | 20 | | 25 | | 30 | | 40 | | 65 | | ns |
| t _{WPW} | Write HIGH to MR HIGH | 20 | | 25 | | 30 | | 40 | | 65 | | ns |
| t _{RTC} | Retransmit Cycle Time | 30 | | 35 | | 40 | | 50 | | 80 | | ns |
| t _{PRT} | Retransmit Pulse Width | 20 | | 25 | | 30 | | 40 | | 65 | | ns |
| t _{RTR} | Retransmit Recovery Time | 10 | | 10 | | 10 | | 10 | | 15 | | ns |
| t _{EFL} | MR to EF LOW | | 30 | | 35 | | 40 | | 50 | | 80 | ns |
| t _{HPH} | MR to HF HIGH | | 30 | | 35 | | 40 | | 50 | | 80 | ns |
| t _{FFH} | MR to FF HIGH | | 30 | | 35 | | 40 | | 50 | | 80 | ns |
| t _{REF} | Read LOW to EF LOW | | 25 | | 25 | | 30 | | 35 | | 60 | ns |
| t _{RFF} | Read HIGH to FF HIGH | | 25 | | 25 | | 30 | | 35 | | 60 | ns |
| t _{WEF} | Write HIGH to EF HIGH | | 25 | | 25 | | 30 | | 35 | | 60 | ns |
| t _{WFF} | Write LOW to FF LOW | | 25 | | 25 | | 30 | | 35 | | 60 | ns |
| t _{WHF} | Write LOW to HF LOW | | 30 | | 35 | | 40 | | 50 | | 80 | ns |
| t _{RHF} | Read HIGH to HF HIGH | | 30 | | 35 | | 40 | | 50 | | 80 | ns |
| t _{RAB} | Effective Read from Write HIGH | | 20 | | 25 | | 30 | | 35 | | 60 | ns |
| t _{RPE} | Effective Read Pulse Width After EF HIGH | 20 | | 25 | | 30 | | 40 | | 65 | | ns |
| t _{WAF} | Effective Write from Read HIGH | | 20 | | 25 | | 30 | | 35 | | 60 | ns |
| t _{WPF} | Effective Write Pulse Width After FF HIGH | 20 | | 25 | | 30 | | 40 | | 65 | | ns |
| t _{XOL} | Expansion Out LOW Delay from Clock | | 20 | | 25 | | 30 | | 40 | | 65 | ns |
| t _{XOH} | Expansion Out HIGH Delay from Clock | | 20 | | 25 | | 30 | | 40 | | 65 | ns |

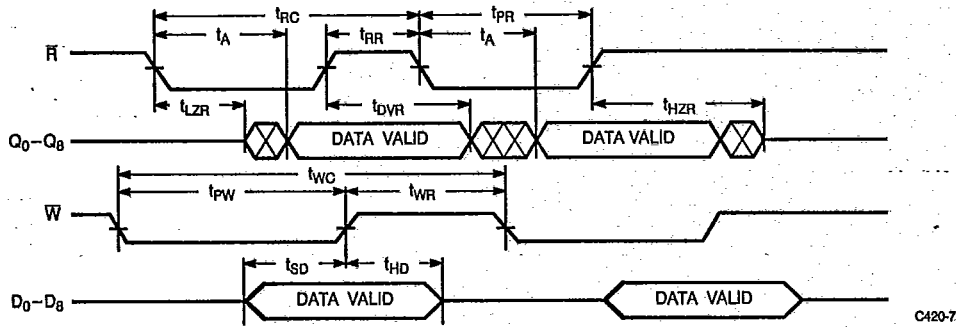
FIFOS



Switching Waveforms

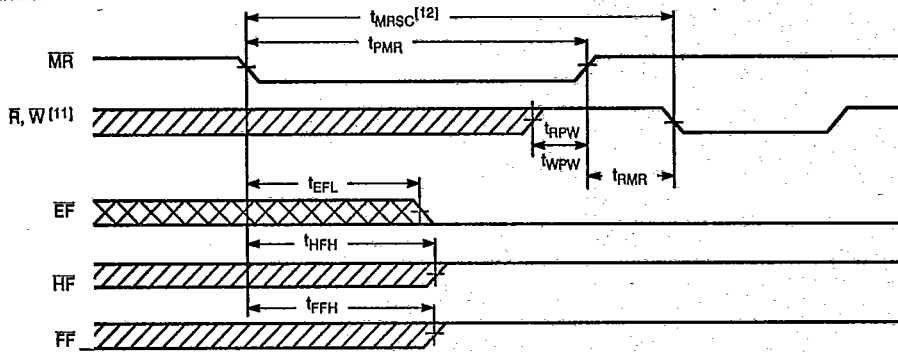
Asynchronous Read and Write

T-46-35



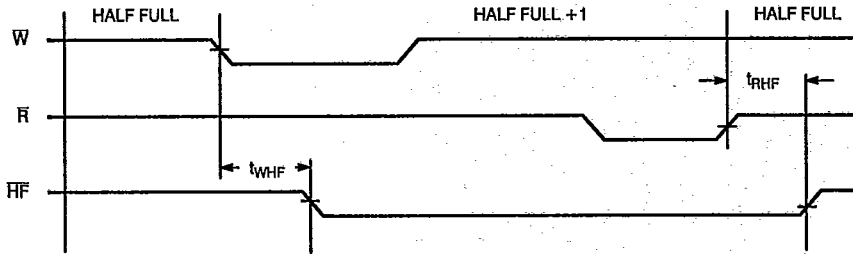
C420-7

Master Reset



C420-8

Half-Full Flag



C420-9

Notes:

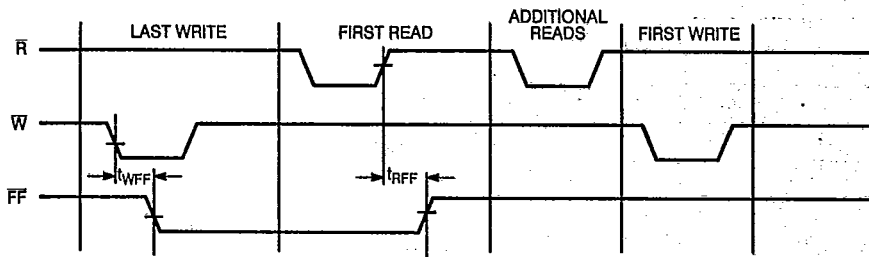
7. Test conditions assume signal transition time of 5 ns or less, timing reference levels of 1.5V and output loading of the specified IOI/IOH and 30 pF load capacitance, as in part (a) of AC Test Load and Waveforms, unless otherwise specified.
8. See the last page of this specification for Group A subgroup testing information.
9. tHZR transition is measured at +500 mV from VOL and -500 mV from VOH. tDVR transition is measured at the 1.5V level. tLZR and tLZR transition is measured at ±100 mV from the steady state.
10. tHZR and tDVR use capacitance loading as in part (b) of AC Test Load and Waveforms.
11. \bar{W} and $\bar{R} \geq V_{IH}$ around the rising edge of \bar{MR} .
12. tMRSC = tPMR + tRMR.



Switching Waveforms (continued)

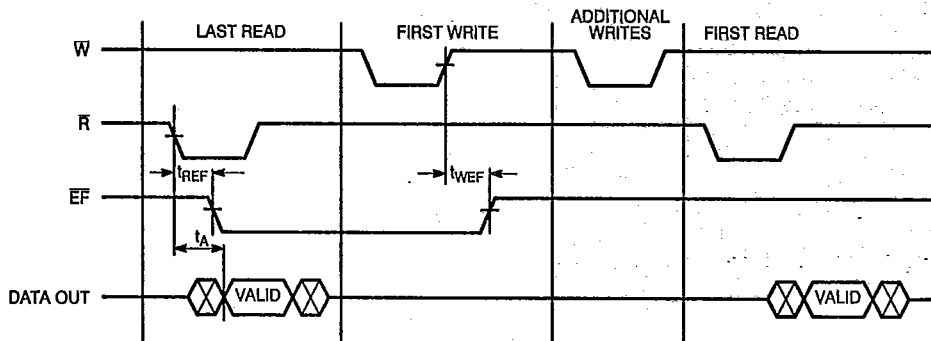
T-46-35

Last Write to First Read Full Flag



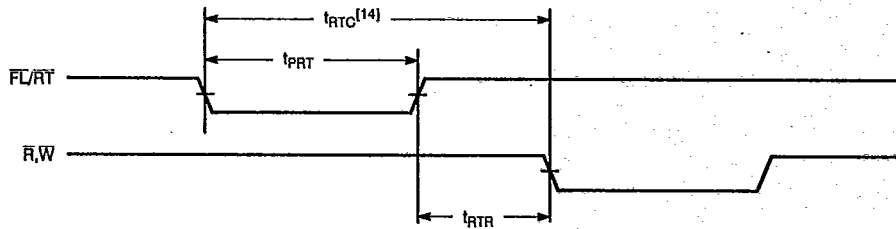
C420-10

Last Read to First Write Empty Flag



C420-11

Retransmit⁽¹³⁾



C420-12

Notes:

13. \overline{EF} , \overline{HF} and \overline{FF} may change state during retransmit as a result of the offset of the read and write pointers, but flags will be valid at t_{RTC} .

14. $t_{RTC} = t_{PRT} + t_{RTR}$.

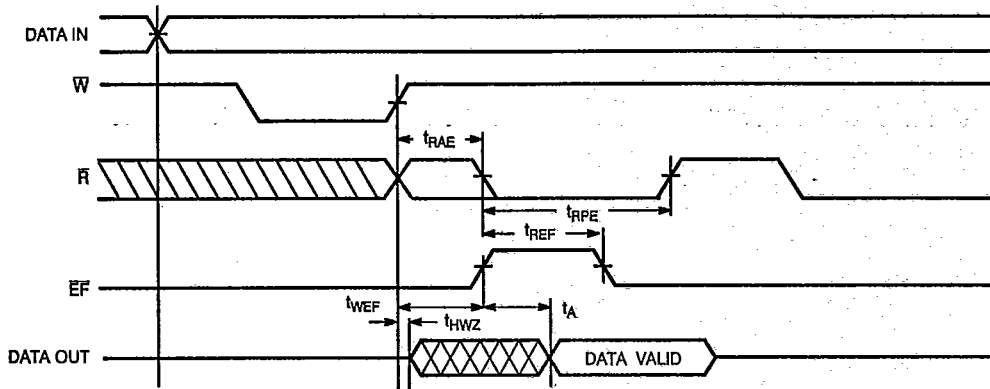
FIFOS



Switching Waveforms (continued)

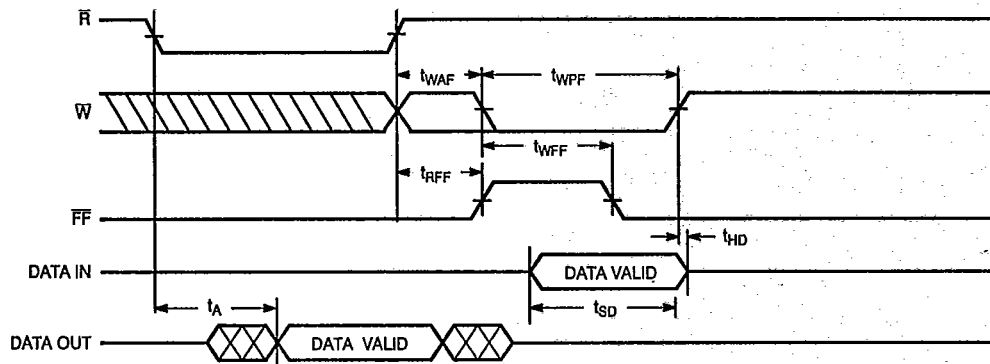
Empty Flag and Empty Boundary Timing Diagram

T-46-35



C420-13

Full Flag and Full Boundary Timing Diagram



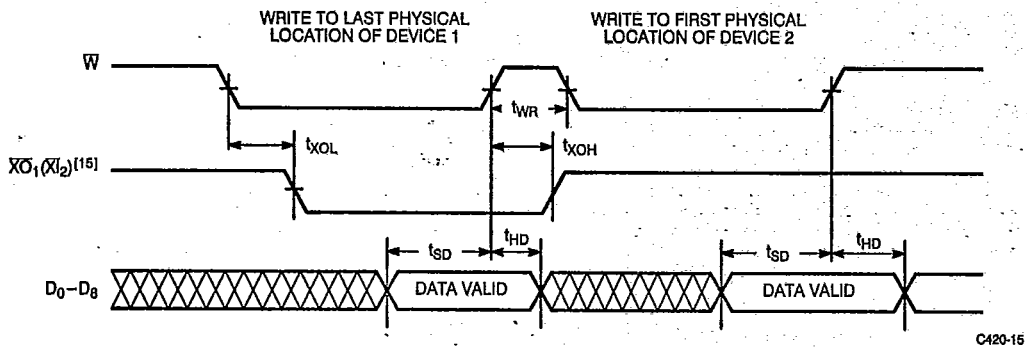
C420-14



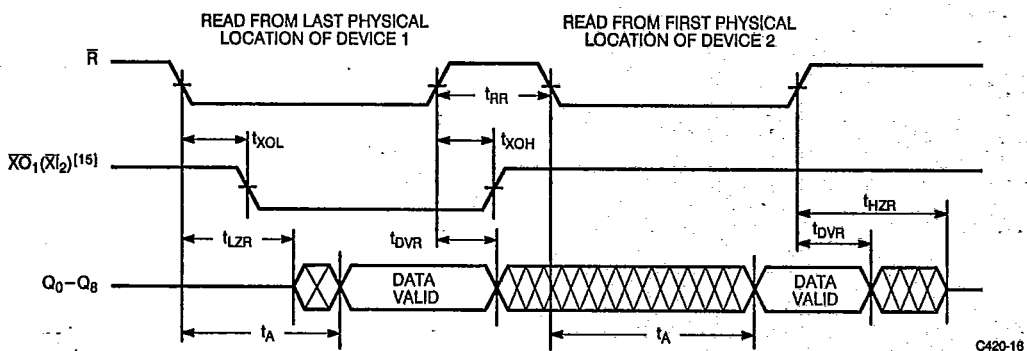
Switching Waveforms (continued)

T-46-35

Expansion Timing Diagrams



5
 FIFOS



Notes:
 15. Expansion Out of device 1 (\overline{XO}_1) is connected to Expansion In of device 2 (\overline{XI}_2).



Architecture

The CY7C420/421/424/425/428/429 FIFOs consist of an array of 512/1024/2048 words of 9 bits each (implemented by an array of dual-port RAM cells), a read pointer, a write pointer, control signals (\overline{W} , \overline{R} , \overline{XI} , \overline{XO} , \overline{FL} , \overline{RT} , \overline{MR}), and Full, Half Full, and Empty flags.

Dual-Port RAM

The dual-port RAM architecture refers to the basic memory cell used in the RAM. The cell itself enables the read and write operations to be independent of each other, which is necessary to achieve truly asynchronous operation of the inputs and outputs. A second benefit is that the time required to increment the read and write pointers is much less than the time that would be required for data propagation through the memory, which would be the case if the memory were implemented using the conventional register array architecture.

Resetting the FIFO

Upon power-up, the FIFO must be reset with a Master Reset (\overline{MR}) cycle. This causes the FIFO to enter the empty condition signified by the Empty flag (\overline{EF}) being LOW, and both the Half Full (\overline{HF}) and Full flags (\overline{FF}) being HIGH. Read (\overline{R}) and write (\overline{W}) must be HIGH t_{RPW}/t_{WPW} before and t_{RMR} after the rising edge of \overline{MR} for a valid reset cycle. If reading from the FIFO after a reset cycle is attempted, the outputs will all be in the high-impedance state.

Writing Data to the FIFO

The availability of at least one empty location is indicated by a HIGH \overline{EF} . The falling edge of \overline{W} initiates a write cycle. Data appearing at the inputs ($D_0 - D_8$) t_{SD} before and t_{HD} after the rising edge of \overline{W} will be stored sequentially in the FIFO.

The \overline{EF} LOW-to-HIGH transition occurs t_{WEP} after the first LOW-to-HIGH transition of \overline{W} for an empty FIFO. \overline{HF} goes LOW t_{WHF} after the falling edge of \overline{W} following the FIFO actually being Half Full. Therefore, the \overline{HF} is active once the FIFO is filled to half its capacity plus one word. \overline{HF} will remain LOW while less than one half of total memory is available for writing. The LOW-to-HIGH transition of \overline{HF} occurs t_{RHF} after the rising edge of \overline{R} when the FIFO goes from half full +1 to half full. \overline{HF} is available in standalone and width expansion modes. \overline{FF} goes LOW t_{WFF} after the falling edge of \overline{W} , during the cycle in which the last available location is filled. Internal logic prevents over-running a full FIFO. Writes to a full FIFO are ignored and the write pointer is not incremented. \overline{FF} goes HIGH t_{RFF} after a read from a full FIFO.

Reading Data from the FIFO

The falling edge of \overline{R} initiates a read cycle if the \overline{EF} is not LOW. Data outputs ($Q_0 - Q_8$) are in a high-impedance condition between read operations (\overline{R} HIGH) when the FIFO is empty, or

when the FIFO is not the active device in the depth expansion mode.

When one word is in the FIFO, the falling edge of \overline{R} initiates a HIGH-to-LOW transition of \overline{EF} . When the FIFO is empty, the outputs are in a high-impedance state. Reads to an empty FIFO are ignored and do not increment the read pointer. From the empty condition, the FIFO can be read t_{WRF} after a valid write.

Retransmit

The retransmit feature is beneficial when transferring packets of data. It enables the receipt of data to be acknowledged by the receiver and retransmitted if necessary.

The Retransmit (\overline{RT}) input is active in the standalone and width expansion modes. The retransmit feature is intended for use when a number of writes equal to or less than the depth of the FIFO have occurred since the last \overline{MR} cycle. A LOW pulse on \overline{RT} resets the internal read pointer to the first physical location of the FIFO. \overline{R} and \overline{W} must both be HIGH while and t_{RTR} after retransmit is LOW. With every read cycle after retransmit, previously accessed data is read and the read pointer is incremented until it is equal to the write pointer. Full, Half Full, and Empty flags are governed by the relative locations of the read and write pointers and are updated during a retransmit cycle. Data written to the FIFO after activation of \overline{RT} are transmitted also.

The full depth of the FIFO can be repeatedly transmitted.

Standalone/Width Expansion Modes

Standalone and width expansion modes are set by grounding Expansion In (\overline{XI}) and tying First Load (\overline{FL}) to V_{CC} . FIFOs can be expanded in width to provide word widths greater than nine in increments of nine. During width expansion mode, all control line inputs are common to all devices, and flag outputs from any device can be monitored.

Depth Expansion Mode (see Figure 1)

Depth expansion mode is entered when, during a \overline{MR} cycle, Expansion Out (\overline{XO}) of one device is connected to Expansion In (\overline{XI}) of the next device, with \overline{XO} of the last device connected to \overline{XI} of the first device. In the depth expansion mode the First Load (\overline{FL}) input, when grounded, indicates that this part is the first to be loaded. All other devices must have this pin HIGH. To enable the correct FIFO, \overline{XO} is pulsed LOW when the last physical location of the previous FIFO is written to and pulsed LOW again when the last physical location is read. Only one FIFO is enabled for read and one for write at any given time. All other devices are in standby.

FIFOs can also be expanded simultaneously in depth and width. Consequently, any depth or width FIFO can be created of word widths in increments of 9. When expanding in depth, a composite \overline{FF} must be created by ORing the \overline{FF} s together. Likewise, a composite \overline{EF} is created by ORing the \overline{EF} s together. \overline{HF} and \overline{RT} functions are not available in depth expansion mode.

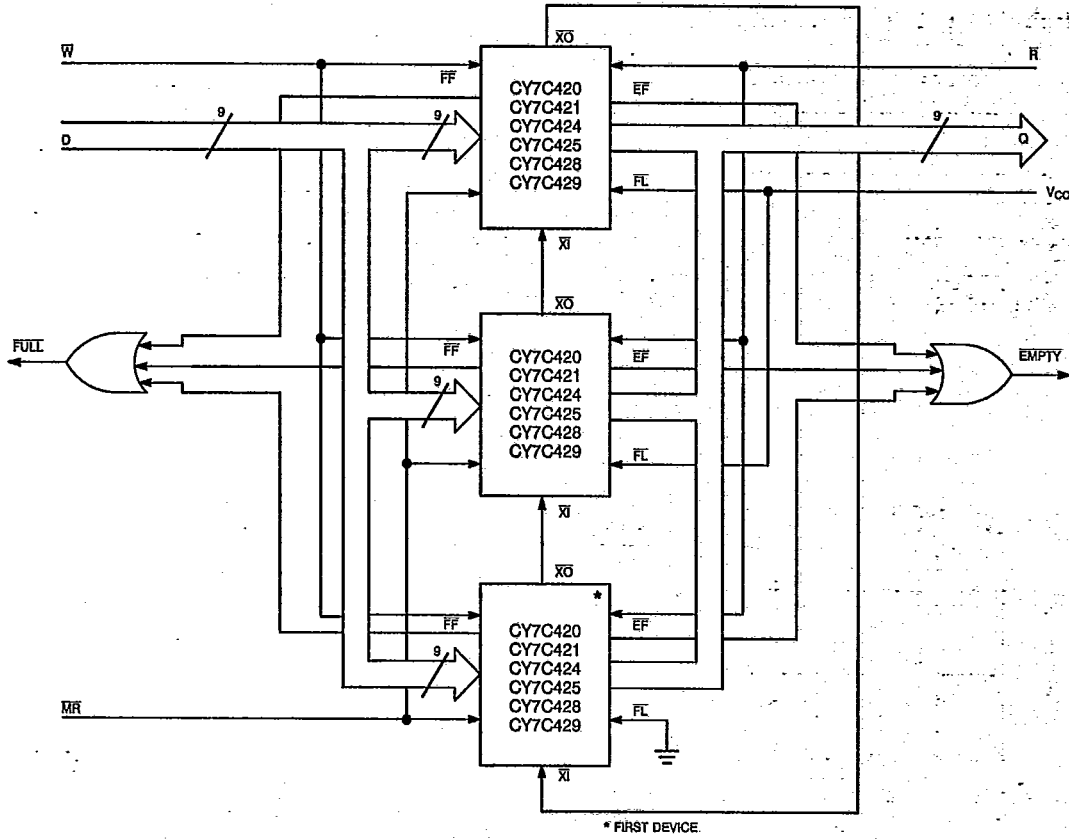


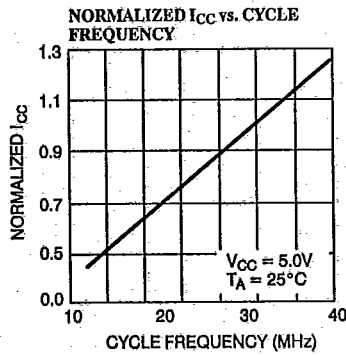
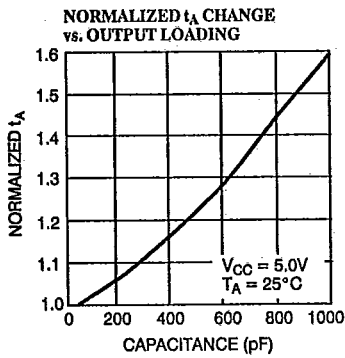
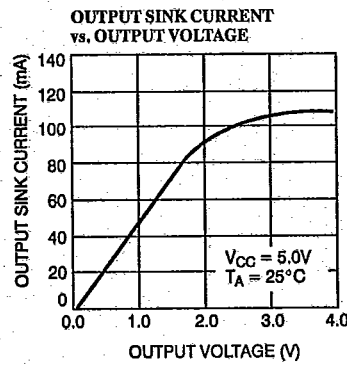
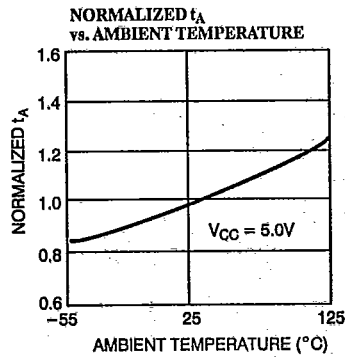
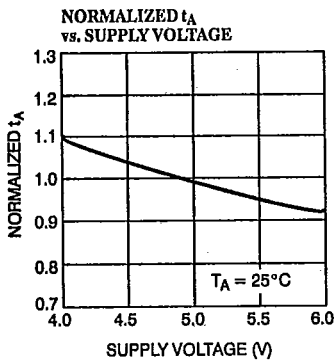
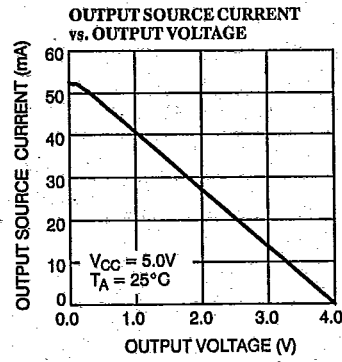
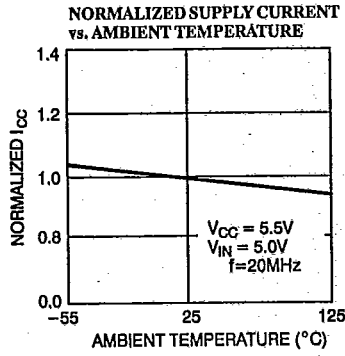
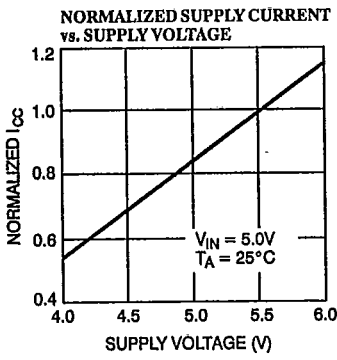
Figure 1. Depth Expansion

C420-17



T-46-35

Typical DC and AC Characteristics





T-46-35

Ordering Information

| Speed (ns) | Ordering Code | Package Type | Operating Range |
|------------|---------------|--------------|-----------------|
| 20 | CY7C420-20DC | D16 | Commercial |
| | CY7C420-20PC | P15 | |
| 25 | CY7C420-25DC | D16 | Commercial |
| | CY7C420-25PC | P15 | |
| | CY7C420-25DI | D16 | Industrial |
| | CY7C420-25PI | P15 | |
| | CY7C420-25DMB | D16 | |
| 30 | CY7C420-30DC | D16 | Commercial |
| | CY7C420-30PC | P15 | |
| | CY7C420-30DI | D16 | Industrial |
| | CY7C420-30PI | P15 | |
| 40 | CY7C420-40DC | D16 | Commercial |
| | CY7C420-40PC | P15 | |
| | CY7C420-40DI | D16 | Industrial |
| | CY7C420-40PI | P15 | |
| | CY7C420-40DMB | D16 | |
| 65 | CY7C420-65DC | D16 | Commercial |
| | CY7C420-65PC | P15 | |
| | CY7C420-65DI | D16 | Industrial |
| | CY7C420-65PI | P15 | |
| | CY7C420-65DMB | D16 | Military |

| Speed (ns) | Ordering Code | Package Type | Operating Range | | |
|--------------|---------------|---------------|-----------------|------------|------------|
| 20 | CY7C421-20DC | D22 | Commercial | | |
| | CY7C421-20JC | J65 | | | |
| | CY7C421-20LC | L55 | | | |
| | CY7C421-20PC | P21 | | | |
| | CY7C421-20VC | V21 | | | |
| 25 | CY7C421-25DC | D22 | Commercial | | |
| | CY7C421-25JC | J65 | | | |
| | CY7C421-25LC | L55 | | | |
| | CY7C421-25PC | P21 | | | |
| | CY7C421-25VC | V21 | | | |
| | CY7C421-25DI | D22 | | Industrial | |
| | CY7C421-25JI | J65 | | | |
| | CY7C421-25PI | P21 | | | |
| | 30 | CY7C421-25DMB | D22 | Military | |
| | | CY7C421-25KMB | K74 | | |
| | | CY7C421-25LMB | L55 | | |
| | | CY7C421-30DC | D22 | | Commercial |
| CY7C421-30JC | | J65 | | | |
| CY7C421-30LC | | L55 | | | |
| CY7C421-30PC | P21 | | | | |
| 40 | CY7C421-30VC | V21 | Industrial | | |
| | CY7C421-30DI | D22 | | | |
| | CY7C421-30JI | J65 | Military | | |
| | CY7C421-30PI | P21 | | | |
| | CY7C421-30DMB | D22 | | | |
| | CY7C421-30KMB | K74 | | | |
| | CY7C421-30LMB | L55 | | | |
| | 65 | CY7C421-40DC | D22 | Commercial | |
| | | CY7C421-40JC | J65 | | |
| | | CY7C421-40LC | L55 | | |
| CY7C421-40PC | | P21 | | | |
| CY7C421-40VC | | V21 | | | |
| CY7C421-40DI | | D22 | Industrial | | |
| CY7C421-40JI | | J65 | | | |
| CY7C421-40PI | | P21 | | | |
| 65 | | CY7C421-40DMB | D22 | Military | |
| | | CY7C421-40KMB | K74 | | |
| | | CY7C421-40LMB | L55 | | |
| | | CY7C421-65DC | D22 | | Commercial |
| | | CY7C421-65JC | J65 | | |
| | | CY7C421-65LC | L55 | | |
| | | CY7C421-65PC | P21 | | |
| 65 | CY7C421-65VC | V21 | Industrial | | |
| | CY7C421-65DI | D22 | | | |
| | CY7C421-65JI | J65 | Military | | |
| | CY7C421-65PI | P21 | | | |
| 65 | CY7C421-65DMB | D22 | Military | | |
| | CY7C421-65KMB | K74 | | | |
| | CY7C421-65LMB | L55 | | | |

FIFOS



Ordering Information (continued)

| Speed (ns) | Ordering Code | Package Type | Operating Range |
|------------|---------------|--------------|-----------------|
| 20 | CY7C424-20DC | D16 | Commercial |
| | CY7C424-20PC | P15 | |
| 25 | CY7C424-25DC | D16 | Commercial |
| | CY7C424-25PC | P15 | |
| | CY7C424-25DI | D16 | Industrial |
| | CY7C424-25PI | P15 | |
| 30 | CY7C424-30DC | D16 | Commercial |
| | CY7C424-30PC | P15 | |
| | CY7C424-30DI | D16 | Industrial |
| | CY7C424-30PI | P15 | |
| 40 | CY7C424-40DC | D16 | Commercial |
| | CY7C424-40PC | P15 | |
| | CY7C424-40DI | D16 | Industrial |
| | CY7C424-40PI | P15 | |
| 65 | CY7C424-65DC | D16 | Commercial |
| | CY7C424-65PC | P15 | |
| | CY7C424-65DI | D16 | Industrial |
| | CY7C424-65PI | P15 | |
| | CY7C424-65DMB | D16 | Military |

| Speed (ns) | Ordering Code | Package Type | Operating Range |
|------------|---------------|--------------|-----------------|
| 20 | CY7C425-20DC | D22 | Commercial |
| | CY7C425-20JC | J65 | |
| | CY7C425-20LC | L55 | |
| | CY7C425-20PC | P21 | |
| | CY7C425-20VC | V21 | |
| 25 | C77C425-25DC | D22 | Commercial |
| | CY7C425-25JC | J65 | |
| | CY7C425-25LC | L55 | |
| | CY7C425-25PC | P21 | |
| | CY7C425-25VC | V21 | |
| | CY7C425-25DI | D22 | Industrial |
| | CY7C425-25JI | J65 | |
| | CY7C425-25PI | P21 | Military |
| | CY7C425-25DMB | D22 | |
| | CY7C425-25KMB | K74 | |
| | CY7C425-25LMB | L55 | |
| 30 | C77C425-30DC | D22 | Commercial |
| | CY7C425-30JC | J65 | |
| | CY7C425-30LC | L55 | |
| | CY7C425-30PC | P21 | |
| | CY7C425-30VC | V21 | |
| | CY7C425-30DI | D22 | Industrial |
| | CY7C425-30JI | J65 | |
| | CY7C425-30PI | P21 | Military |
| | CY7C425-30DMB | D22 | |
| | CY7C425-30KMB | K74 | |
| | CY7C425-30LMB | L55 | |
| 40 | C77C425-40DC | D22 | Commercial |
| | CY7C425-40JC | J65 | |
| | CY7C425-40LC | L55 | |
| | CY7C425-40PC | P21 | |
| | CY7C425-40VC | V21 | |
| | CY7C425-40DI | D22 | Industrial |
| | CY7C425-40JI | J65 | |
| | CY7C425-40PI | P21 | Military |
| | CY7C425-40DMB | D22 | |
| | CY7C425-40KMB | K74 | |
| | CY7C425-40LMB | L55 | |
| 65 | C77C425-65DC | D22 | Commercial |
| | CY7C425-65JC | J65 | |
| | CY7C425-65LC | L55 | |
| | CY7C425-65PC | P21 | |
| | CY7C425-65VC | V21 | |
| | CY7C425-65DI | D22 | Industrial |
| | CY7C425-65JI | J65 | |
| | CY7C425-65PI | P21 | Military |
| | CY7C425-65DMB | D22 | |
| | CY7C425-65KMB | K74 | |
| | CY7C425-65LMB | L55 | |



T-46-35

Ordering Information (continued)

| Speed (ns) | Ordering Code | Package Type | Operating Range |
|------------|---------------|--------------|-----------------|
| 20 | CY7C428-20DC | D16 | Commercial |
| | CY7C428-20PC | P15 | |
| 25 | CY7C428-25DC | D16 | Commercial |
| | CY7C428-25PC | P15 | |
| | CY7C428-25DI | D16 | Industrial |
| | CY7C428-25PI | P15 | |
| | CY7C428-25DMB | D16 | |
| 30 | CY7C428-30DC | D16 | Commercial |
| | CY7C428-30PC | P15 | |
| | CY7C428-30DI | D16 | Industrial |
| | CY7C428-30PI | P15 | |
| | CY7C428-30DMB | D16 | |
| 40 | CY7C428-40DC | D16 | Commercial |
| | CY7C428-40PC | P15 | |
| | CY7C428-40DI | D16 | Industrial |
| | CY7C428-40PI | P15 | |
| | CY7C428-40DMB | D16 | |
| 65 | CY7C428-65DC | D16 | Commercial |
| | CY7C428-65PC | P15 | |
| | CY7C428-65DI | D16 | Industrial |
| | CY7C428-65PI | P15 | |
| | CY7C428-65DMB | D16 | |

| Speed (ns) | Ordering Code | Package Type | Operating Range | |
|---------------|---------------|--------------|-----------------|------------|
| 20 | CY7C429-20DC | D22 | Commercial | |
| | CY7C429-20JC | J65 | | |
| | CY7C429-20LC | L55 | | |
| | CY7C429-20PC | P21 | | |
| | CY7C429-20VC | V21 | | |
| 25 | CY7C429-25DC | D22 | Commercial | |
| | CY7C429-25JC | J65 | | |
| | CY7C429-25LC | L55 | | |
| | CY7C429-25PC | P21 | | |
| | CY7C429-25VC | V21 | | |
| | CY7C429-25DI | D22 | Industrial | |
| | CY7C429-25JI | J65 | | |
| | CY7C429-25PI | P21 | | |
| | CY7C429-25DMB | D22 | Military | |
| | CY7C429-25KMB | K74 | | |
| CY7C429-25LMB | L55 | | | |
| 30 | CY7C429-30DC | D22 | Commercial | |
| | CY7C429-30JC | J65 | | |
| | CY7C429-30LC | L55 | | |
| | CY7C429-30PC | P21 | | |
| | CY7C429-30VC | V21 | | |
| | CY7C429-30DI | D22 | Industrial | |
| | CY7C429-30JI | J65 | | |
| | CY7C429-30PI | P21 | | |
| | CY7C429-30DMB | D22 | Military | |
| | CY7C429-30KMB | K74 | | |
| | CY7C429-30LMB | L55 | | |
| | 40 | CY7C429-40DC | D22 | Commercial |
| | | CY7C429-40JC | J65 | |
| | | CY7C429-40LC | L55 | |
| | | CY7C429-40PC | P21 | |
| CY7C429-40VC | | V21 | | |
| CY7C429-40DI | | D22 | Industrial | |
| CY7C429-40JI | | J65 | | |
| CY7C429-40PI | | P21 | | |
| CY7C429-40DMB | | D22 | Military | |
| CY7C429-40KMB | | K74 | | |
| CY7C429-40LMB | | L55 | | |
| 65 | | CY7C429-65DC | D22 | Commercial |
| | CY7C429-65JC | J65 | | |
| | CY7C429-65LC | L55 | | |
| | CY7C429-65PC | P21 | | |
| | CY7C429-65VC | V21 | | |
| | CY7C429-65DI | D22 | Industrial | |
| | CY7C429-65JI | J65 | | |
| | CY7C429-65PI | P21 | | |
| | CY7C429-65DMB | D22 | Military | |
| | CY7C429-65KMB | K74 | | |
| | CY7C429-65LMB | L55 | | |

FIFOS


MILITARY SPECIFICATIONS
Group A Subgroup Testing
DC Characteristics

| Parameters | Subgroups |
|----------------------|-----------|
| VOH | 1, 2, 3 |
| VOL | 1, 2, 3 |
| V _{IH} | 1, 2, 3 |
| V _{IL} Max. | 1, 2, 3 |
| I _{IX} | 1, 2, 3 |
| I _{CC} | 1, 2, 3 |
| I _{SB1} | 1, 2, 3 |
| I _{SB2} | 1, 2, 3 |
| I _{OS} | 1, 2, 3 |

T-46-35

Switching Characteristics

| Parameters | Subgroups |
|-------------------|-----------|
| t _{RC} | 9, 10, 11 |
| t _A | 9, 10, 11 |
| t _{RR} | 9, 10, 11 |
| t _{PR} | 9, 10, 11 |
| t _{LZR} | 9, 10, 11 |
| t _{DVR} | 9, 10, 11 |
| t _{HZR} | 9, 10, 11 |
| t _{WC} | 9, 10, 11 |
| t _{PW} | 9, 10, 11 |
| t _{HWZ} | 9, 10, 11 |
| t _{WR} | 9, 10, 11 |
| t _{SD} | 9, 10, 11 |
| t _{HD} | 9, 10, 11 |
| t _{MRSC} | 9, 10, 11 |
| t _{PMR} | 9, 10, 11 |
| t _{RMR} | 9, 10, 11 |
| t _{RPW} | 9, 10, 11 |
| t _{WPW} | 9, 10, 11 |
| t _{RTC} | 9, 10, 11 |
| t _{PRT} | 9, 10, 11 |
| t _{RTR} | 9, 10, 11 |
| t _{EFL} | 9, 10, 11 |
| t _{HFH} | 9, 10, 11 |
| t _{FFH} | 9, 10, 11 |
| t _{REF} | 9, 10, 11 |
| t _{RFF} | 9, 10, 11 |
| t _{WFF} | 9, 10, 11 |
| t _{WHF} | 9, 10, 11 |
| t _{RHF} | 9, 10, 11 |
| t _{RAE} | 9, 10, 11 |
| t _{RPB} | 9, 10, 11 |
| t _{WAF} | 9, 10, 11 |
| t _{WPF} | 9, 10, 11 |
| t _{XOL} | 9, 10, 11 |
| t _{XOH} | 9, 10, 11 |

Document #: 38-00079-G