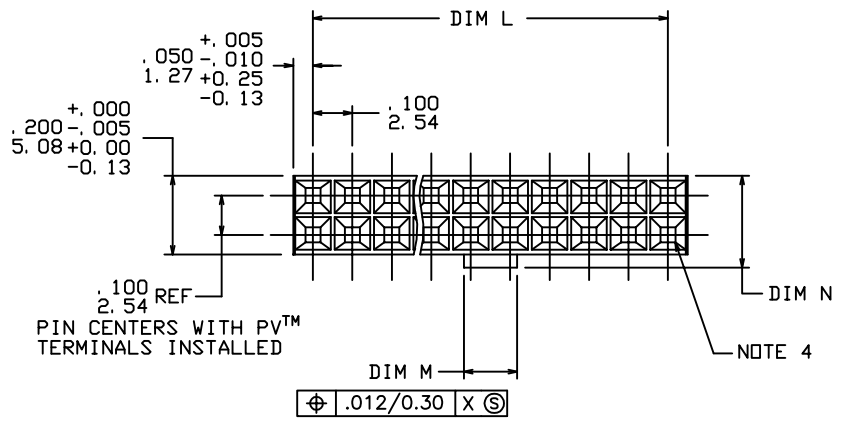
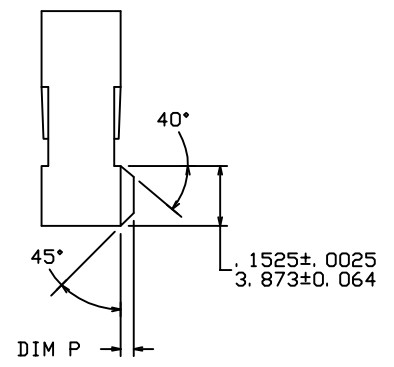
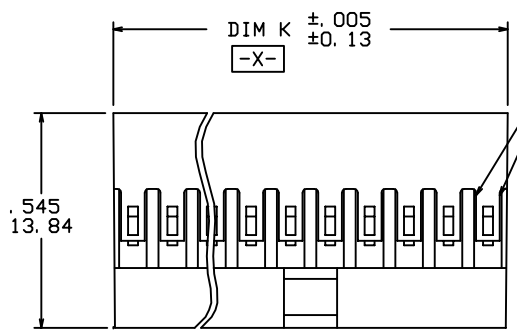


Tous droits strictement reserves. Reproduction ou communication a des tiers interdite sous quelque forme que ce soit sans autorisation écrite du propriétaire. Propriete de c FCI. Droits de reproduction FCI.

All rights strictly reserved. Reproduction or issue to third parties in any form whatever is not permitted without written authority from the proprietor. Property of FCI. Copyright FCI.



PRODUCT NO.  
SEE TABLE



NOTES:

- ① MOLDING MATERIAL: MODIFIED POLYPHENYLENE ETHER, PER UL-94V-0. COLOR-BLACK.
- 2. PIN LENGTH TO BE .210/5.33 MIN. RECOMMENDED PIN LENGTH IS .225±.015/5.72±0.38
- ③ FLASH PERMISSIBLE IN THIS AREA SO LONG AS LATCH MOVEMENT IS NOT RESTRICTED.
- ④ .003/0.08 MAX. FLASH PERMISSIBLE AROUND LEAD-IN.

mat'l. code NOTE 2				tolerances unless otherwise specified		CUSTOMER COPY	 www.fciconnect.com	
ltr	ecn no	dr	date	linear	.xx ±.01/.x±.3	projection	title	
C	REDWN	MSC	07/09/90		.xxx ±.005/.xx±.13		MINI LATCH HOUSING DOUBLE ROW POLARIZED	
D	V50128	GAH	04/10/95		.xxxx ±.0020/.xxx±.051	INCH/MM	product family	
E	V90978	RGD	06/21/99	angles	0° ±2°		MINI LATCH	
F	V03-1361	PJ	02/16/04	dr	M.CLOUSER 07/09/90	scale 2.5:1	size	
				enrg	H.SUNDY 07/09/90		dwg no	
				chr	H.SUNDY 07/09/90		213	
				appd	H.SUNDY 07/09/90		sheet	
sheet index	revision sheet	F	F					1 of 2
		1	2					

cage code  
22526

ACAD

PDM: Rev:F

STATUS: Released

Printed: Sep 27, 2005

All rights strictly reserved. Reproduction or issue to third parties in any form whatever is not permitted without written authority from the proprietor. Property of FCI. Copyright FCI.



Tous droits strictement reserves. Reproduction ou communication a des tiers interdite sous quelque forme que ce soit sans autorisation écrite du propriétaire. Propriete de c FCI. Droits de reproduction FCI.

PRODUCT NO.	NO OF CAV	DIM K	DIM L	DIM M	DIM N	DIM P
78514-026	26	1.290/32.77	1.200/30.48	.135/3.43	.233/5.92	.033/0.84
78514-016	16	.790/20.07	.700/17.78	.135/3.43	.233/5.92	.033/0.84

A

A

B

B

mat'l. code NOTE 2				tolerances unless otherwise specified			CUSTOMER COPY		 www.fciconnect.com	
ltr	ecn no	dr	date	linear	.xx ±.01/.x±.3		projection	 title MINI LATCH HOUSING DOUBLE ROW POLARIZED		
F					.xxx ±.005/.xx±.13					
					.xxxx ±.0020/.xxx±.051					
				angles	0° ±2°		 INCH/MM scale 1:1	product family		code
				dr	M.CLOUSER	07/09/90		MINI LATCH		213
				enr	H.SUNDY	07/09/90		size dwg no		sheet
				chr	H.SUNDY	07/09/90		A 78514		2 of 2
				appd	H.SUNDY	07/09/90				
sheet index	revision sheet									

1 | 2

3 |

cage code  
22526

4

ACAD

PDM: Rev:F

STATUS: Released

Printed: Sep 27, 2005