

SPECIFICATIONS

Header Connector

Mechanical

Contact Retention Force: 1.36 kg min.

HD23 Series

R/A, T/H Type

2.50mm [.098] Pitch

Electrical

Voltage Rating: 125V

Current Rating: 3A Per Pin Min.

Dielectric Withstanding Voltage: 1500 RMS

Insulation Resistance: 5000MW min.

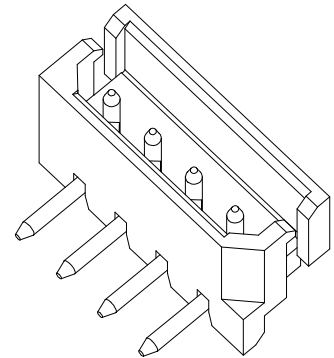
Physical

Housing: High Temperature, UL 94V-0 Rated In Black Color

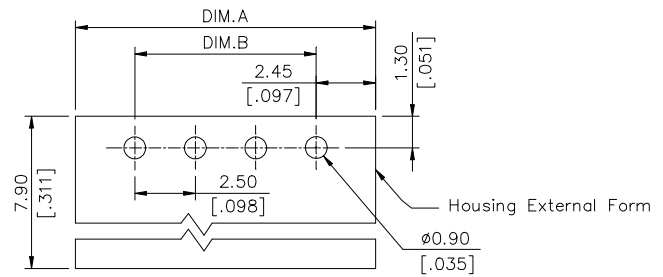
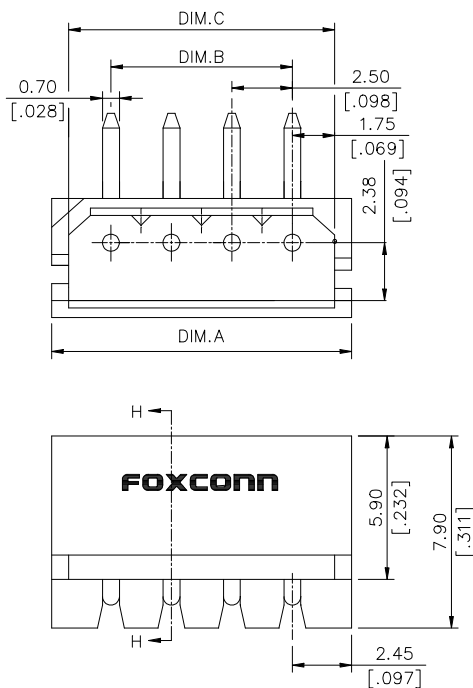
Contact: Brass

Plating: See "ORDERING INFORMATION"

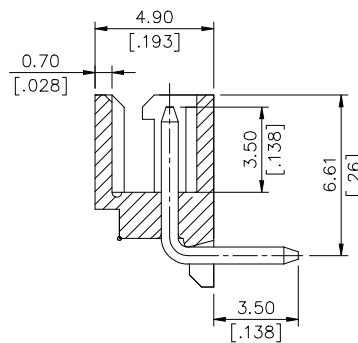
Operating Temperature: -55 to +105



DRAWING



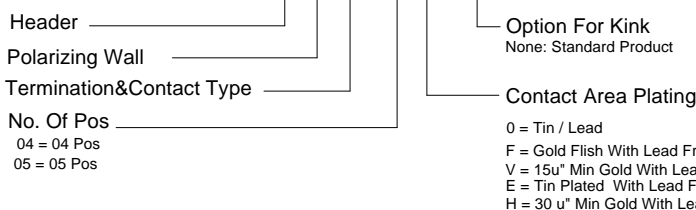
RECOMMENDED P.C.B. LAYOUT



SEC H-H

ORDERING INFORMATION

PRODUCT NO.: HD23***-*



HD2305*-***	05	14.90 [.587]	10.00 [.394]	13.50 [.532]
HD2304*-***	04	12.40 [.489]	7.50 [.296]	11.00 [.433]
P/N	POS.	DIM. A	DIM. B	DIM. C