

REVISION AQ

ESW-1XX-XX-X-X-XX-XX

CONTACT STYLE
 SOLDER TAIL
 STANDARD INSERTION USE C-8-X-X
 LOW INSERTION USE C-17-X-X
 (SEE TABLE)

BODY LENGTH SPEC
 POSITIONS 01 THRU 36
 (SEE FIG. 1)
 (SEE NOTE 3 FOR ONE
 POSITION SINGLE ROW)
 (FOR 33 POS SEE NOTE 5)

LEAD STYLE SPEC
 (SEE TABLE)

LOCKING LEAD OPTION
 -LL (SEE FIG. 3)
 [N/A ON 1 OR 2 POSITION
 SINGLE ROW]

POLARIZING OPTION
 INDICATES POS (SEE FIG. 2)

ROW SPECIFICATION (SEE TABLE)
 -S: SINGLE USE SSW-50-S
 -D: DOUBLE USE SSW-50-D

PLATING SPECIFICATION
 -G: GOLD (USE C-X-X-G)
 -T: TIN (USE C-8-X-T)
 (STANDARD INSERTION FORCE ONLY)
 -S: SELECTIVE (USE C-X-X-S)
 -H: HEAVY GOLD (USE C-X-X-H)
 -F: FLASH SELECTIVE GOLD
 -E: EXTRA HEAVY GOLD (STYLES -01 & -02 ONLY)
 -L: SELECTIVE LIGHT GOLD, MATTE TIN TAIL (USE C-XX-X-L)

DO NOT SCALE
 FROM THIS PRINT

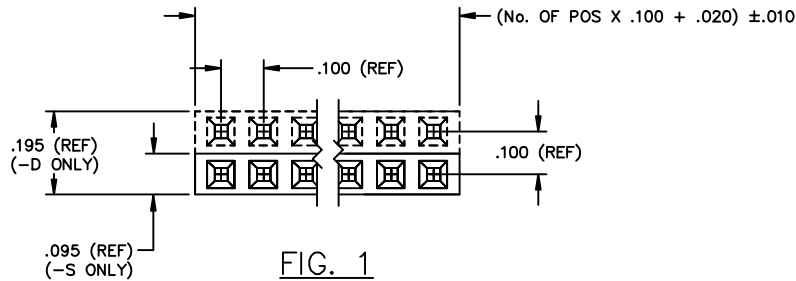


FIG. 1

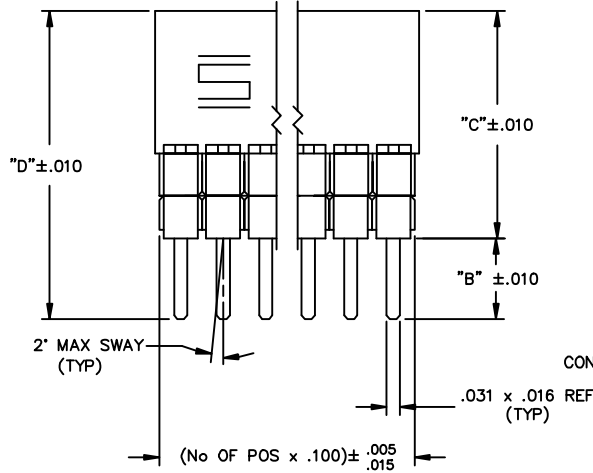


FIG. 2

POLARIZATION LOCATION
 INSERT PK-06-N INTO SPECIFIED POS
 AND BREAK OFF TAB

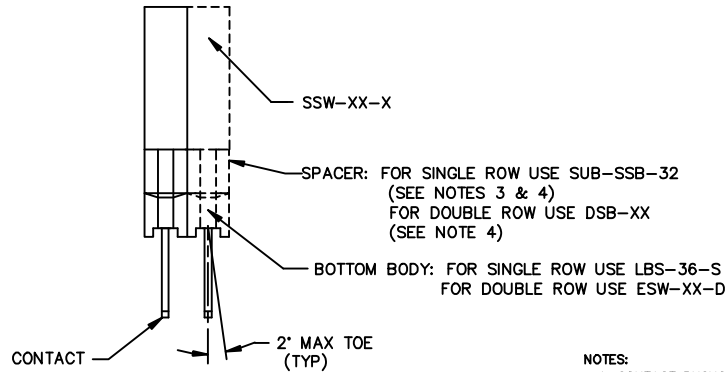
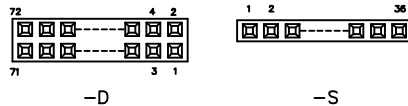
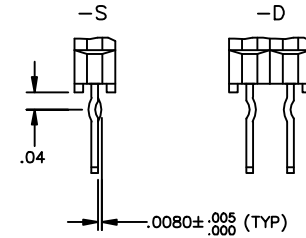


FIG. 3
LOCKING LEAD OPTION
 LOCATED ON OR ABOUT CENTERLINE
 [N/A IN 1 OR 2 POSITION SINGLE ROW]



DIMENSIONS ARE IN INCHES		UNLESS OTHERWISE NOTED		TOLERANCES ARE:		TITLE:	DWG NO:
ONE PLACE DECIMALS ±.1	TWO PLACE DECIMALS ±.01	THREE PLACE DECIMALS ±.005	FOUR PLACE DECIMALS ±.0020	ANGLES ± 2°		ESW STRIP ASM.	ESW-1XX-XX-X-X-XX-XX
							SHEET 1 OF 2

STANDARD INSERTION FORCE	CONTACT	SPACER SPECIFICATION (FOR A ONE POSITION SINGLE ROW SEE NOTE 3)		"B"	"C"	"D"	"E"
		ESW-S	ESW-D				
-12	C-8-2-X			.090	.435	.525	.100
-13	C-8-3-X			.290	.435	.725	N/A
-14	C-8-5-X			.480	.435	.915	N/A
-23	C-8-3-X	(1) SUB-SSB-32	(1) DSB-XX	.190	.535	.725	N/A
-24	C-8-5-X	(1) SUB-SSB-32	(1) DSB-XX	.380	.535	.915	N/A
-33	C-8-3-X	(2) SUB-SSB-32	(2) DSB-XX	.090	.635	.725	N/A
-34	C-8-5-X	(2) SUB-SSB-32	(2) DSB-XX	.280	.635	.915	N/A
-44	C-8-5-X	(1) ESS-XX-S	(3) DSB-XX	.180	.735	.915	N/A
LOW INSERTION FORCE							
-37	C-17-2-X			.090	.435	.525	.100
-38	C-17-3-X			.290	.435	.725	N/A
-39	C-17-5-X			.480	.435	.915	N/A
-48	C-17-3-X	(1) SUB-SSB-32	(1) DSB-XX	.190	.535	.725	N/A
-49	C-17-5-X	(1) SUB-SSB-32	(1) DSB-XX	.380	.535	.915	N/A
-58	C-17-3-X	(2) SUB-SSB-32	(2) DSB-XX	.090	.635	.725	N/A
-59	C-17-5-X	(2) SUB-SSB-32	(2) DSB-XX	.280	.635	.915	N/A
-69	C-17-5-X	(1) ESS-XX-S	(3) DSB-XX	.180	.735	.915	N/A

- NOTES:
- CONTACT PUSHOUT SHALL BE 1 LB. MIN.
 - MAX ALLOWABLE BOW .003 INCH/INCH AFTER ASSEMBLY.
 - FOR A 1 POSITION SINGLE ROW ALL SPACERS ARE TO BE LBS-S.
 - SPACERS SHALL BE ASSEMBLED AS SHOWN WITH SNAP GROOVES AWAY FROM SSW BODY.
 - SINGLE ROW, 33 POS PART TO USE 31 POS AND 2 POS SPACERS

MATERIAL:
 INSULATOR:

SSW
 PRIMARY MATERIAL: LCP
 NOTE DELETED
 COLOR: BLACK

SSB
 PRIMARY MATERIAL:
 NOTE DELETED
 COLOR: BLACK

CONTACT MATERIAL:
 PHOSPHOR BRONZE

ESS
 MATERIAL:
 COLOR: BLACK

DSB
 MATERIAL:
 COLOR: BLACK

LBS
 MATERIAL:
 COLOR: BLACK

santec

520 PARK EAST BLVD. NEW ALBANY, INDIANA 47150
 PHONE (812) 944-6733 P.O. BOX 1147
 CODE 55322

MADE BY: JORDAN 7-16-85
 CHECKED BY: L. WILLIAMS 7-22-85

ENG. APPROVAL
 TM HAHN
 7-22-85

ESW-1XX-XX-X-X-XX-XX
 SHEET 1 OF 2

PROPRIETARY NOTE
 THIS DOCUMENT CONTAINS INFORMATION
 CONFIDENTIAL AND PROPRIETARY TO
 SAMTEC, INC. AND SHALL NOT BE
 REPRODUCED OR TRANSMITTED TO
 OTHER DOCUMENTS OR DISCLOSED TO
 OTHERS OR USED FOR ANY PURPOSE,
 OTHER THAN THAT FOR WHICH IT WAS
 OBTAINED WITHOUT THE EXPRESSED
 WRITTEN CONSENT OF SAMTEC, INC.