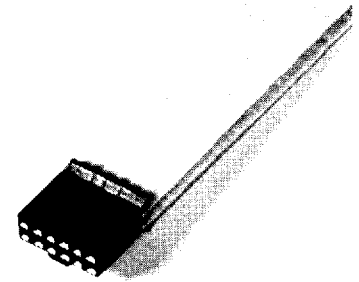


FLEXPAC® FEMALE SOCKET CONNECTOR, STRAIGHT DUAL ROW 2MM (.079") x 2MM (.079") CENTER SPACING



PHYSICAL PROPERTIES

CONTACT MATERIAL: Beryllium copper
 CONTACT PLATING: .000030" (see options)
 HOUSING: Glass filled thermoplastic, 94V-0 rated.
 COLOR: Black
 INSERTION FORCE: 3 oz. per contact
 WITHDRAWAL FORCE: 0.5 oz. per contact excluding latches

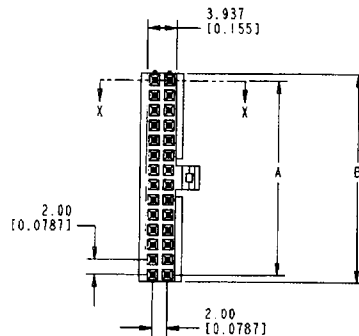
ELECTRICAL PROPERTIES

CURRENT RATING: 2.5 amps
 DOUBLE ROW: up to 64 contacts (2 x 32)
 VOLTAGE RATING: 300 amps

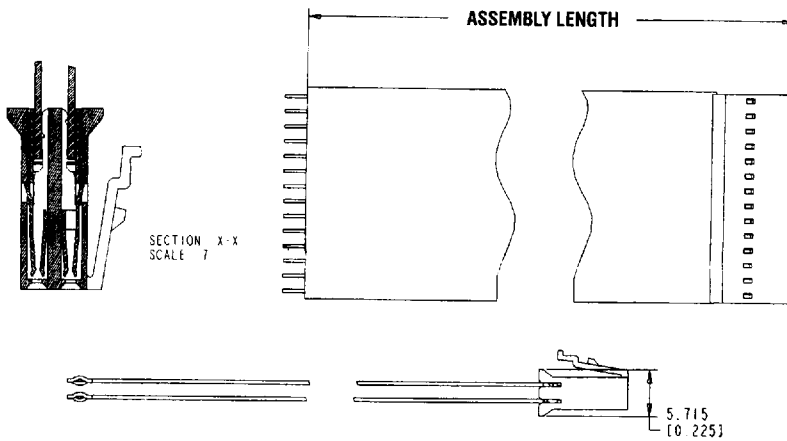
MATING CONNECTOR

See pages 157-158

NOTE: Polarizing key available. Consult factory.



*NOTE: Latches not available on 8- 14 positions; positions 16 - 64 are with latches.



NUMBER OF POSITIONS	DIMENSIONS	
	A	B
*8	6.0 (.236)	7.9 (.310)
*10	8.0 (.315)	9.9 (.389)
*12	10.0 (.394)	11.9 (.468)
*14	12.0 (.472)	13.9 (.546)
16	14.0 (.551)	15.9 (.625)
18	16.0 (.630)	17.9 (.704)
20	18.0 (.708)	19.9 (.782)
22	20.0 (.787)	21.9 (.861)
24	22.0 (.866)	23.9 (.940)
26	24.0 (.944)	25.9 (1.018)
28	26.0 (1.023)	27.9 (1.097)
30	28.0 (1.102)	29.9 (1.176)
32	30.0 (1.181)	31.9 (1.253)
34	32.0 (1.259)	33.9 (1.333)
36	34.0 (1.338)	35.9 (1.412)
38	36.0 (1.417)	37.9 (1.491)
40	38.0 (1.495)	39.9 (1.569)
42	40.0 (1.574)	41.9 (1.648)
44	42.0 (1.653)	43.9 (1.727)
46	44.0 (1.731)	45.9 (1.805)
48	46.0 (1.810)	47.9 (1.884)
50	48.0 (1.888)	49.9 (1.962)
52	50.0 (1.968)	51.9 (2.042)
54	52.0 (2.046)	53.9 (2.120)
56	54.0 (2.125)	55.9 (2.200)
58	56.0 (2.204)	57.9 (2.278)
60	58.0 (2.282)	59.9 (2.278)
62	60.0 (2.361)	61.9 (2.435)
64	62.0 (2.440)	63.9 (2.514)

Ordering Information

F2M

2mm Flexpac Jumper

14

Number of positions
4 - 80 double row

N

Jumper Insulation
 N - Nomex
 P - Polyester
 T - Teflon
 K - Kapton

225

Assembly length in mm
25 - 625 mm

Z

G

Left End Right End
Termination Style
 A - Flexstrip 'A' bend
 B - Flexstrip 'B' bend
 Z - Flexstrip 'Z' bend
 G - 2mm Flexpac double row tin plated contacts
 I - 2mm Flexpac double row gold plated contacts