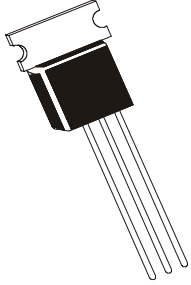


NPN EPITAXIAL PLANAR SILICON TRANSISTOR

**CSC1941
TO-237
BCE**



**Audio Frequency Amplifier Applications
Complementary CSA916**

ABSOLUTE MAXIMUM RATINGS(Ta=25deg C unless otherwise specified)

DESCRIPTION	SYMBOL	VALUE	UNIT
Collector -Base Voltage	VCBO	160	V
Collector -Emitter Voltage	VCEO	160	V
Emitter Base Voltage	VEBO	5.0	V
Collector Current DC	IC	50	mA
Collector Current Peak *	IC	100	mA
Collector Power Dissipation	PT	1.0	W
Operating And Storage Junction Temperature Range	Tj, Tstg	-55 to +150	deg C

*PW=10ms, duty cycle=50%

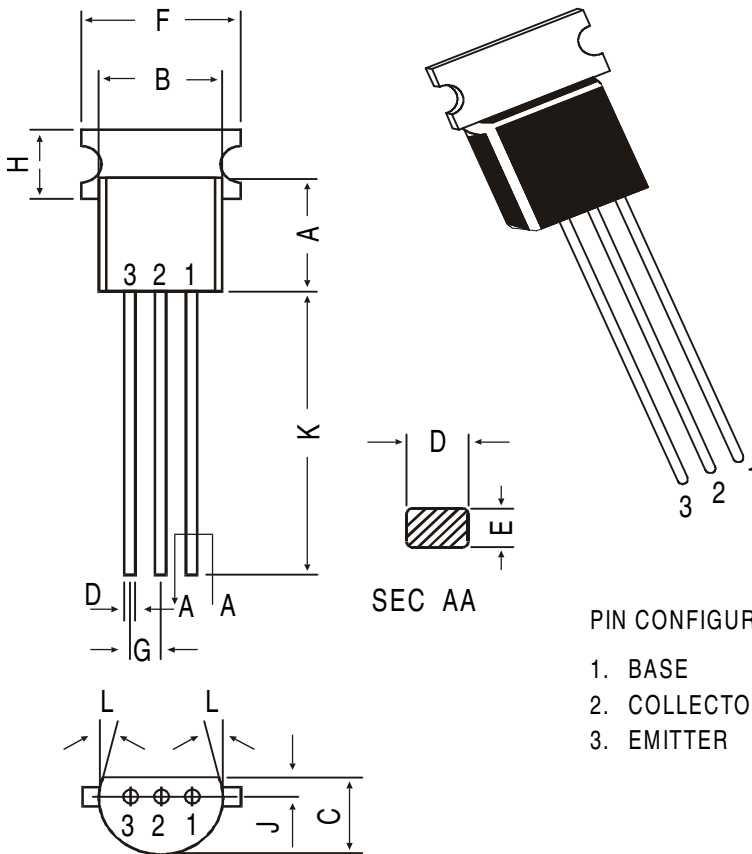
ELECTRICAL CHARACTERISTICS (Ta=25 deg C Unless Otherwise Specified)

DESCRIPTION	SYMBOL	TEST CONDITION	MIN	TYP	MAX	UNIT
Collector Cut off Current	ICBO	VCB=160V, IE=0	-	-	100	nA
Emitter Cut off Current	IEBO	VEB=5V, IC=0	-	-	100	nA
DC Current Gain	hFE(1) **	IC=1mA, VCE=10V	50	-	-	
	hFE(2) **	IC=10mA, VCE=10V	90	-	400	
Base Emitter On Voltage	VBE(on) **	IC=10mA, VCE=10V	650	-	750	mV
Collector Emitter Saturation Voltage	VCE(Sat) **	IC=20mA, IB=2mA	-	-	0.60	V
Base Emitter Saturation Voltage	VBE(Sat) **	IC=20mA, IB=2mA	-	-	1.0	V
Dynamic Characteristics						
Transition Frequency	ft	VCE=10V, IC=10mA,	50	-	-	MHz
Collector Output Capacitance	Cob	VCB=10V, IE=0 f=1MHz	-	-	3.0	pF

hFE (2) ** CLASSIFICATION MA : 90-180 LA : 135-270 KA : 200-400

** PW=350us, Duty Cycle=2% Pulsed

TO-237 Plastic Package



All dimensions in mm.

DIM	MIN.	MAX.
A	4.32	5.33
B	4.45	5.20
C	3.18	4.19
D	0.41	0.55
E	0.35	0.50
F	—	5.40
G	1.14	1.40
H	—	2.54
K	12.70	—
L	5 DEG	
J	1.14	1.53

PIN CONFIGURATION

1. BASE
2. COLLECTOR
3. EMITTER

Packing Detail

PACKAGE	STANDARD PACK		INNER CARTON BOX		OUTER CARTON BOX		
	Details	Net Weight/Qty	Size	Qty	Size	Qty	Gr Wt
TO-237 Bulk	1K/polybag	240 gm/1K pcs	3" x 7.5" x 7.5"	5.0K	17" x 15" x 13.5"	80.0K	26.2 kgs
TO-237 T&A	2K/ammo box	725 gm/2K pcs	12.5" x 8" x 1.8"	2.0K	17" x 15" x 13.5"	32.0K	13.8 kgs

Disclaimer

The product information and the selection guides facilitate selection of the CDIL's Discrete Semiconductor Device(s) best suited for application in your product(s) as per your requirement. It is recommended that you completely review our Data Sheet(s) so as to confirm that the Device(s) meet functionality parameters for your application. The information furnished on the CDIL Web Site/CD is believed to be accurate and reliable. CDIL however, does not assume responsibility for inaccuracies or incomplete information. Furthermore, CDIL does not assume liability whatsoever, arising out of the application or use of any CDIL product; neither does it convey any license under its patent rights nor rights of others. These products are not designed for use in life saving/support appliances or systems. CDIL customers selling these products (either as individual Discrete Semiconductor Devices or incorporated in their end products), in any life saving/support appliances or systems or applications do so at their own risk and CDIL will not be responsible for any damages resulting from such sale(s).

CDIL strives for continuous improvement and reserves the right to change the specifications of its products without prior notice.



CDIL is a registered Trademark of

Continental Device India Limited

C-120 Naraina Industrial Area, New Delhi 110 028, India.
 Telephone + 91-11-579 6150 Fax + 91-11-579 9569, 579 5290
 e-mail sales@cdil.com www.cdil.com