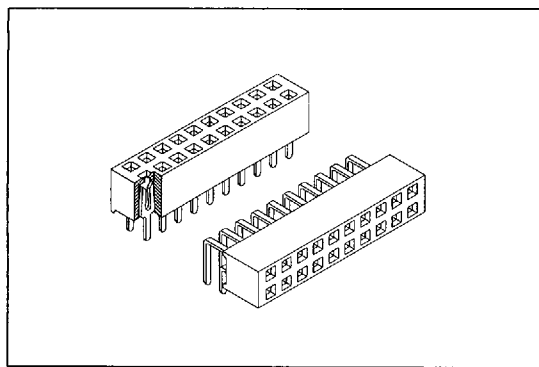


# 2042 SERIES

P.C.B. SOCKET 2.54mmX2.54mm(0.100"X0.100")



### Material:

Housing: 30% Glass filled PBT UL94V-0.

Contacts: Phosphor Bronze.

Plating: Gold plated:  $5\mu''$  over  $50\mu''$  nickel.

Tin plated:  $150\mu''$  over  $70\mu''$  nickel.

### Electrical Characteristics:

Current Rating: 1 AMP

Insulator Resistance:  $5000M \Omega$  min. at DC 500V

Contact Resistance:  $20m \Omega$  max. at DC 100mA

Operating Temperature:  $-55^{\circ}C \sim +105^{\circ}C$

### Mechanical Characteristics:

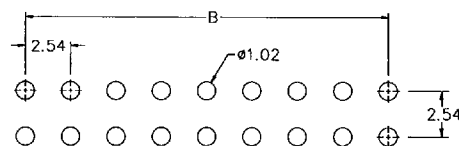
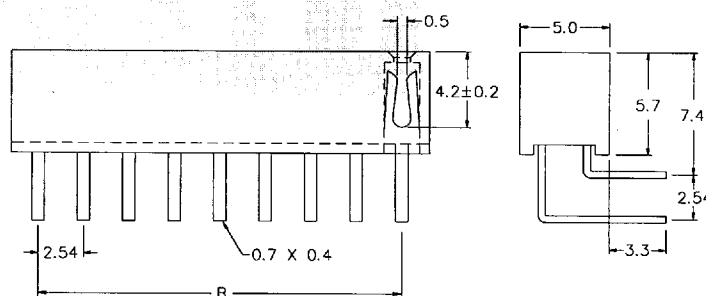
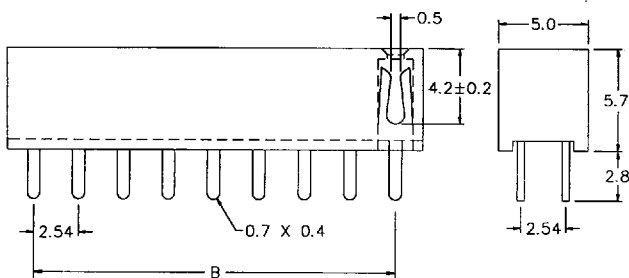
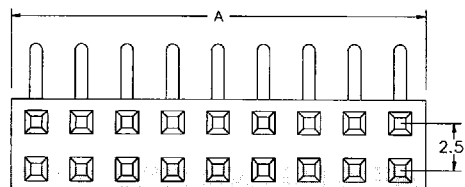
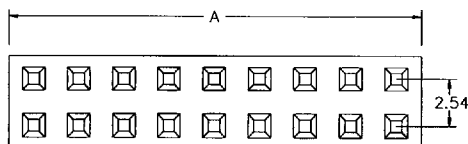
Insertion Force: 160g avg. (0.64mm sq. pin)

Withdrawal Force: 120g avg. (0.64mm sq. pin)

### Features:

- \* Available in both Straight and Right Angle.
- \* Low profile 5.70mm (0.224").
- \* Mates with 0.64mm (0.025") square pin.
- \* Turning fork contacts offer lower cost for competitive market.

Mates with: 2011,2012,2013,2015,3012,3016



P.C. Board Layout

Position	4 Thru 80
Dimension	
A	2.54 X No. of Positions +0.5
B	2.54 X No. of Positions -2.54

## Ordering information

2042-2 X 40  
Series Double Row No. of Pin Per Row

G  
G: Gold Plated  
T: Tin Plated  
C: Selective Gold Plated

S  
S: Straight  
R: Right Angle