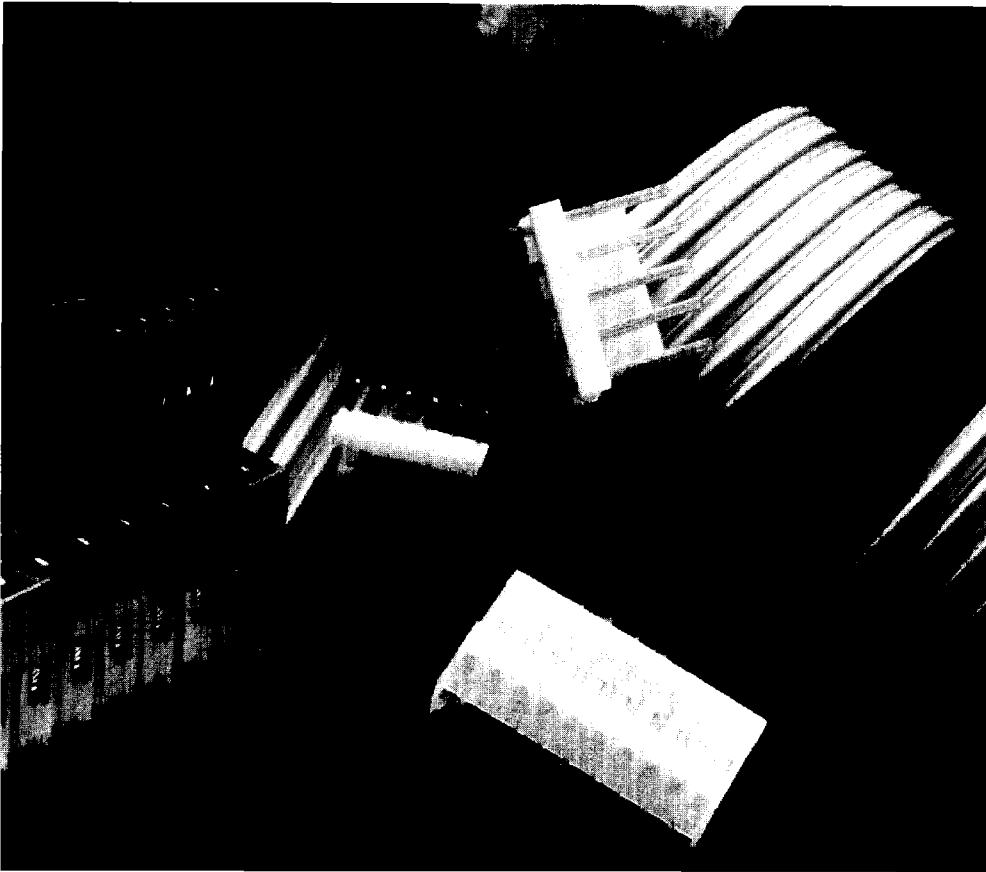


**Specifications subject to change.
For latest design specifications...
1-800-522-6752**

MTA (Mass Termination Assemblies) Printed Circuit Board Connectors



Introduction

MTA, Mass Termination Assemblies, is a complete printed circuit board inter-connection system, offering design versatility and low applied cost. A variety of wire sizes and types from discrete to ribbon cable can be mass terminated in one step without wire stripping.

Mass termination of wire provides the lowest applied cost because it drastically reduces the labor content of virtually any cable or harness assembly required. Labor savings from 50 to 95 percent are attainable, depending on applications. Besides low applied cost, other desirable benefits are derived from the MTA system, such as:

- Increased Quality—
- One step assembly
- No wire stripping
- No contact damage
- No tooling wear

- Ease of Handling—
- One step assembly
- Reduced wiring errors
- Preloaded contacts
- Simpler tooling
- Simple maintenance and repair

Wire-to-post connectors are preloaded with dual beam contacts. Card edge connectors are preloaded with leaf contacts. All contacts are slotted for the insulation displacement termination technique.

The MTA technique eliminates the need for prestripping the conductors. The insulation is displaced and the wire makes positive contact with the dual slotted beams. The wire deflection of the beams results in stored energy spring contact force which provides a stable, long life termination.

Four systems are available:

- MTA-100 on .100 centerlines for .025 square posts,
- MTA-156 on .156 centerlines for .045 round or square posts,
- MTA-156 Cable-to-Cable Posted Connectors on .156 centerlines,
- MTA-156 Card Edge Connectors on .156 centerlines for .062 thick single side printed circuit boards.

The four MTA systems are also available preterminated to ribbon cable. MTA Ribbon Cable Assemblies are available and can be shipped ready for use in any length, with any number of circuits, in any wire size, and can be terminated with one or more connectors.

Standard Features and Benefits

- Four MTA Systems:
 - MTA-100—.100 centers, receptacles and headers
 - MTA-156—.156 centers, receptacles and headers
 - MTA-156—posted connector
 - MTA-156—card edge connector

- Position Sizes:
 - MTA-100—Receptacles and headers for 2 through 28 positions
 - MTA-156—Receptacles and headers for 2 through 24 positions
 - MTA-156—Posted connectors for 2, 3, 4, 6, 9, 12, 15 and 24 positions
 - MTA-156—Card edge connectors for 3, 6, 9, 12, 15, 18, and 20 through 24 positions

- End stackable on MTA-100 receptacles and headers and MTA-156 receptacles and headers


- Receptacle styles include both closed-end and feed-thru, with and without polarizing tab


- Contacts are post lubricated to prevent fretting corrosion

- Color coded housings:

Orange—	18 AWG
Yellow—	20 AWG
Red—	22 AWG
Natural—	24 AWG
Blue—	26 AWG
Green—	28 AWG

- Meets the material requirements to Table 23.1 of UL 1410 Standards for Television Receiver and Video Products*

- Recognized under the Component Program of Underwriters Laboratories Inc. File No. E28476 

- Certified by Canadian Standards Association File No. LR16455 

*Minimum order quantities and extended lead times may apply on special desired features.

*Wire-to-post connectors only

**Specifications subject to change.
For latest design specifications...
1-800-522-6752**

Dimensioning:
Dimensions are in inches

MTA-100 Receptacles .100 Centers

Color Coding by Wire Size:

- 28 AWG—Green
- 26 AWG—Blue
- 24 AWG—Natural
- 22 AWG—Red

Accepts insulation range of .060 dia. max. when terminating one wire at a time.

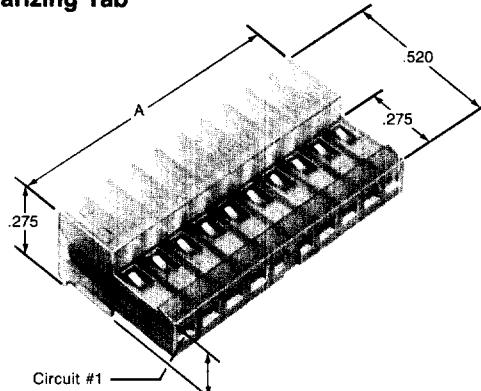
Accepts insulation range of .050 dia. max. when mass terminating.

Other features available upon request

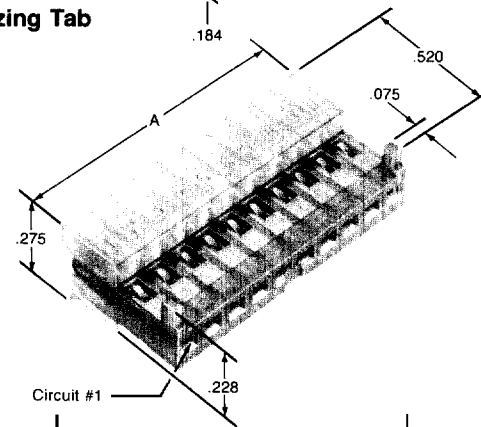
- .000015 and .000030 gold plating
- Receptacle circuits molded closed for keying purposes
- 28 and 26 AWG wire gauge in 15 to 28 position sizes in the receptacles without polarizing tabs
- Tape mounted receptacles available on reels

Minimum order quantities and extended lead times may apply on special desired features. Consult AMP Incorporated, Harrisburg, PA 17105.

Closed-End Without Polarizing Tab



Closed-End With Polarizing Tab



Material:
Housing—Thermoplastic 94V-2 rated
Contacts—Tin plated phosphor bronze

For AMP products that mate with these receptacles, see pages 3390 through 3393.

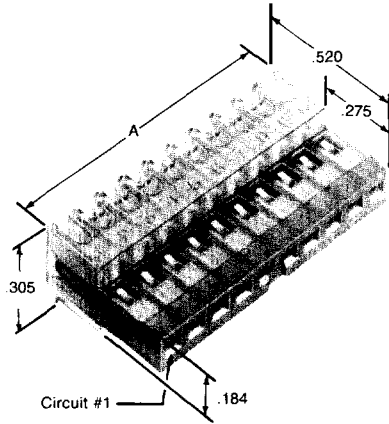
Printed Circuit Board Connectors

Circuits	Dim. A	Without Polarizing Tab				With Polarizing Tab		
		28 AWG	26 AWG	24 AWG	22 AWG	26 AWG	24 AWG	22 AWG
2	.200	640443-2	640442-2	640441-2	640440-2	643815-2	643814-2	643813-2
3	.300	640443-3	640442-3	640441-3	640440-3	643815-3	643814-3	643813-3
4	.400	640443-4	640442-4	640441-4	640440-4	643815-4	643814-4	643813-4
5	.500	640443-5	640442-5	640441-5	640440-5	643815-5	643814-5	643813-5
6	.600	640443-6	640442-6	640441-6	640440-6	643815-6	643814-6	643813-6
7	.700	640443-7	640442-7	640441-7	640440-7	643815-7	643814-7	643813-7
8	.800	640443-8	640442-8	640441-8	640440-8	643815-8	643814-8	643813-8
9	.900	640443-9	640442-9	640441-9	640440-9	643815-9	643814-9	643813-9
10	1.000	1-640443-0	1-640442-0	1-640441-0	1-640440-0	1-643815-0	1-643814-0	1-643813-0
11	1.100	1-640443-1	1-640442-1	1-640441-1	1-640440-1	1-643815-1	1-643814-1	1-643813-1
12	1.200	1-640443-2	1-640442-2	1-640441-2	1-640440-2	1-643815-2	1-643814-2	1-643813-2
13	1.300	1-640443-3	1-640442-3	1-640441-3	1-640440-3	1-643815-3	1-643814-3	1-643813-3
14	1.400	1-640443-4	1-640442-4	1-640441-4	1-640440-4	1-643815-4	1-643814-4	1-643813-4
15	1.500	—	—	1-640441-5	1-640440-5	1-643815-5	1-643814-5	1-643813-5
16	1.600	—	—	1-640441-6	1-640440-6	1-643815-6	1-643814-6	1-643813-6
17	1.700	—	—	1-640441-7	1-640440-7	1-643815-7	1-643814-7	1-643813-7
18	1.800	—	—	1-640441-8	1-640440-8	1-643815-8	1-643814-8	1-643813-8
19	1.900	—	—	1-640441-9	1-640440-9	1-643815-9	1-643814-9	1-643813-9
20	2.000	—	—	2-640441-0	2-640440-0	2-643815-0	2-643814-0	2-643813-0
21	2.100	—	—	2-640441-1	2-640440-1	2-643815-1	2-643814-1	2-643813-1
22	2.200	—	—	2-640441-2	2-640440-2	2-643815-2	2-643814-2	2-643813-2
23	2.300	—	—	2-640441-3	2-640440-3	2-643815-3	2-643814-3	2-643813-3
24	2.400	—	—	2-640441-4	2-640440-4	2-643815-4	2-643814-4	2-643813-4
25	2.500	—	—	2-640441-5	2-640440-5	2-643815-5	2-643814-5	2-643813-5
26	2.600	—	—	2-640441-6	2-640440-6	2-643815-6	2-643814-6	2-643813-6
27	2.700	—	—	2-640441-7	2-640440-7	2-643815-7	2-643814-7	2-643813-7
28	2.800	—	—	2-640441-8	2-640440-8	2-643815-8	2-643814-8	2-643813-8

**Specifications subject to change.
For latest design specifications...
1-800-522-6752**

Dimensioning:
Dimensions are in inches

Feed-Thru Receptacle Without Polarizing Tabs



Circuits	Dim. A	Without Polarizing Tab	
		24 AWG	22 AWG
2	.200	640621-2	640620-2
3	.300	640621-3	640620-3
4	.400	640621-4	640620-4
5	.500	640621-5	640620-5
6	.600	640621-6	640620-6
7	.700	640621-7	640620-7
8	.800	640621-8	640620-8
9	.900	640621-9	640620-9
10	1.000	1-640621-0	1-640620-0
11	1.100	1-640621-1	640620-1
12	1.200	1-640621-2	1-640620-2
13	1.300	1-640621-3	1-640620-3
14	1.400	1-640621-4	1-640620-4

Minimum order quantities and extended lead times may apply on special desired features. Consult AMP Incorporated, Harrisburg, PA 17105.

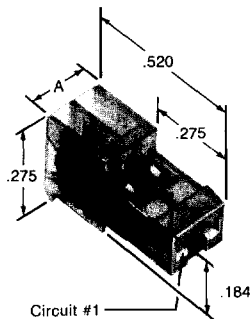
Other features available on request

- .000015 and .000030 gold plating
- Receptacle circuits molded closed for keying purposes
- Tape mounted receptacles on reels
- 28 AWG and 26 AWG wire gauge in 2 through 28 position sizes and 24 AWG and 22 AWG wire gauge in 15 through 28 position sizes

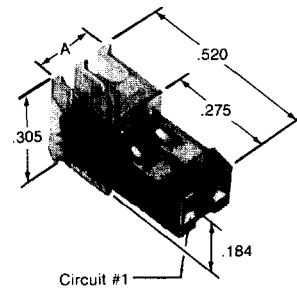
For AMP products that mate with these receptacles, see pages 3390 through 3393.

Special Connectors for .014-.020 Diameter or Square Leads

Closed-End Receptacle



Feed-Thru Receptacle



Wire Size AWG	Closed-End Receptacle		Feed-Thru Receptacle	
	2 Pos.	3 Pos.	2 Pos.	3 Pos.
28	641537-2	641537-3	641656-2	641656-3
26	641536-2	641536-3	641655-2	641655-3
24	641535-2	641535-3	641654-2	641654-3
22	641534-2	641534-3	641653-2	641653-3

Other sizes are available on request. Minimum order quantities and extended lead times may apply.

Material:

Housing—Thermoplastic 94V-2 rated

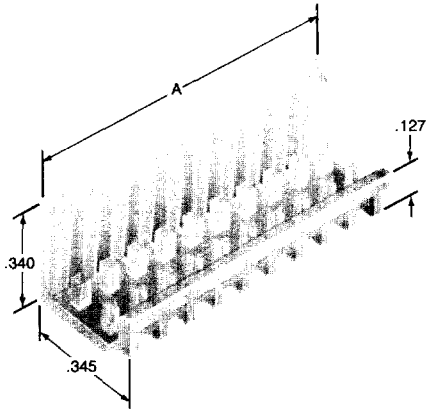
Contacts—Tin plated phosphor bronze

Specifications subject to change.
For latest design specifications...
1-800-522-6752

Dimensioning:
Dimensions are in inches

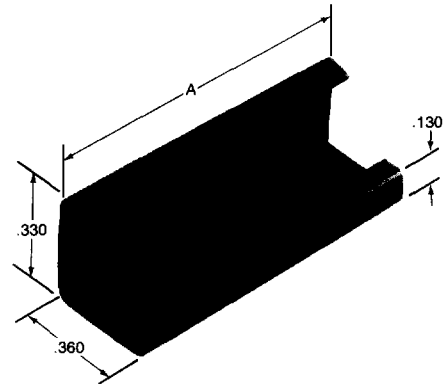
Closed-End Strain Relief Covers

Material: Thermoplastic, 94V-2 rated, natural



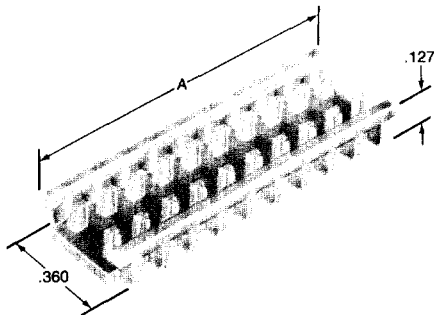
Closed-End Dust Covers

Material: Thermoplastic, 94V-2 rated, natural



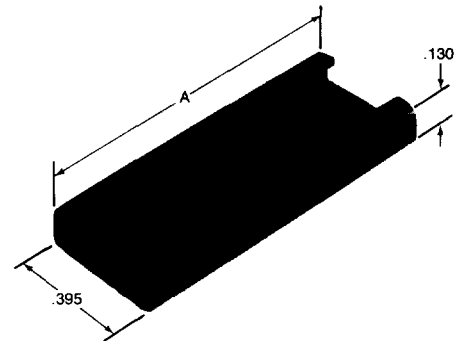
Feed-Thru Strain Relief Covers

Material: Thermoplastic, 94V-2 rated, natural



Feed-Thru Dust Covers

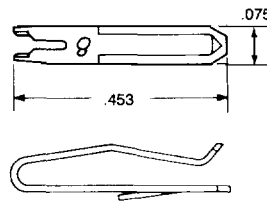
Material: Thermoplastic, 94V-2 rated, natural



Replacement Contacts

Material and Finish: Tin plated phosphor bronze

Stock Thickness: .0125

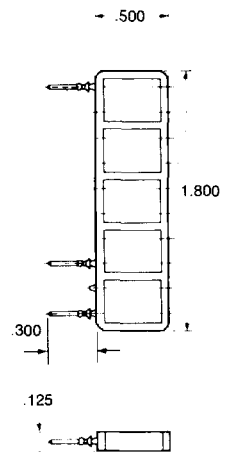


Note: Removal of contact is not necessary when using keying plug.

Keying Plug with Carrier Strip

Materials: Thermoplastic, 94V-2 rated, natural

Part No. 641994-1



Wire Size AWG	Part Numbers	
	Standard Connectors	Special Connectors
28	640639-1	641646-1
26	640638-2	641645-1
24	640637-1	641644-1
22	640636-1	641643-1

Note: Contacts also available in .000015 and .000030 gold. Consult AMP Incorporated, Harrisburg, PA 17105.

*Specifications subject to change.
For latest design specifications...
1-800-522-6752*

Strain Relief Covers and Dust Covers

No. of Circuits	Dim. A	Closed-End Strain Relief Covers	Feed-Thru Strain Relief Covers	Closed-End Dust Covers	Feed-Thru Dust Covers
2	.200	643075-2	643077-2	—	—
3	.300	643075-3	643077-3	640550-3	640642-3
4	.400	643075-4	643077-4	640550-4	640642-4
5	.500	643075-5	643077-5	640550-5	640642-5
6	.600	643075-6	643077-6	640550-6	640642-6
7	.700	643075-7	643077-7	640550-7	640642-7
8	.800	643075-8	643077-8	640550-8	640642-8
9	.900	643075-9	643077-9	640550-9	640642-9
10	1.000	1-643075-0	1-643077-0	1-640550-0	1-640642-0
11	1.100	1-643075-1	1-643077-1	1-640550-1	1-640642-1
12	1.200	1-643075-2	1-643077-2	1-640550-2	1-640642-2
13	1.300	1-643075-3	1-643077-3	1-640550-3	1-640642-3
14	1.400	1-643075-4	1-643077-4	1-640550-4	1-640642-4
15	1.500	1-643075-5	—	1-640550-5	—
16	1.600	1-643075-6	—	1-640550-6	—
17	1.700	1-643075-7	—	1-640550-7	—
18	1.800	1-643075-8	—	1-640550-8	—
19	1.900	1-643075-9	—	1-640550-9	—
20	2.000	2-643075-0	—	2-640550-0	—
21	2.100	2-643075-1	—	2-640550-1	—
22	2.200	2-643075-2	—	2-640550-2	—
23	2.300	2-643075-3	—	2-640550-3	—
24	2.400	2-643075-4	—	2-640550-4	—
25	2.500	2-643075-5	—	2-640550-5	—
26	2.600	2-643075-6	—	2-640550-6	—
27	2.700	2-643075-7	—	2-640550-7	—
28	2.800	2-643075-8	2-643077-8	2-640550-8	2-640642-8

Feed-thru covers for 15 through 27 position sizes are available on request

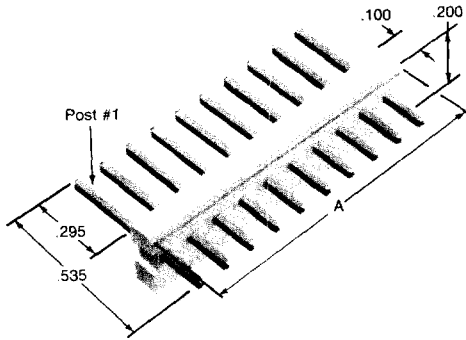
Minimum order quantities and extended lead times may apply on special requests. Consult AMP Incorporated, Harrisburg, PA 17105.

MTA-100 Post Headers .100 Centers, .200 Wide Flat Header

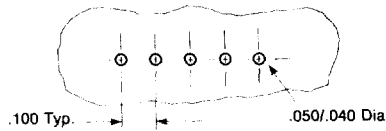
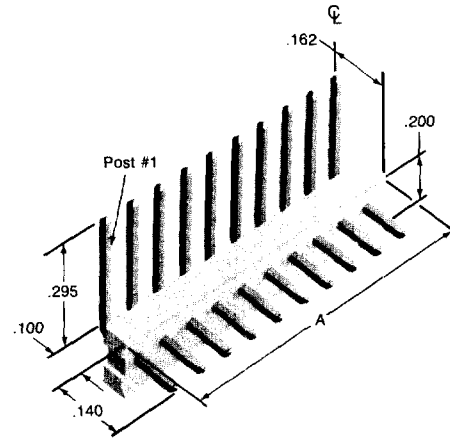
Specifications subject to change.
For latest design specifications...
1-800-522-6752

Dimensioning:
Dimensions are in inches

Straight Post (.025 Square)



Right Angle Post (.025 Square)



Recommended Mounting Hole Size
for a 1/16 Thk. Pc Board

Printed Circuit Board Connectors

3

No. of Positions	Dim. A	Part Numbers
2	.200	640452-2
3	.300	640452-3
4	.400	640452-4
5	.500	640452-5
6	.600	640452-6
7	.700	640452-7
8	.800	640452-8
9	.900	640452-9
10	1.000	1-640452-0
11	1.100	1-640452-1
12	1.200	1-640452-2
13	1.300	1-640452-3
14	1.400	1-640452-4

Other features available on request

- .000015 and .000030 gold plating
- Post(s) can be omitted for keying purposes. Specify the desired post(s) to be omitted using the figure above identifying Post #1
- 15 through 28 position sizes also available

Minimum order quantities and extended lead times may apply on desired special features. Consult AMP Incorporated, Harrisburg, PA 17105.

For AMP products that mate with these headers, see pages 3386 and 3387.

Material:

Housing—Polyester 94V-0 rated, natural

Posts—Tin plated copper alloy

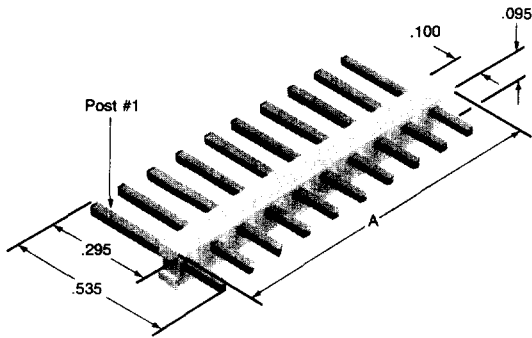
No. of Positions	Dim. A	Part Numbers
2	.200	640453-2
3	.300	640453-3
4	.400	640453-4
5	.500	640453-5
6	.600	640453-6
7	.700	640453-7
8	.800	640453-8
9	.900	640543-9
10	1.000	1-640453-0
11	1.100	1-640453-1
12	1.200	1-640453-2
13	1.300	1-640453-3
14	1.400	1-640453-4

MTA-100 Post Header .100 Centers, .095 Wide Narrow Flat Header

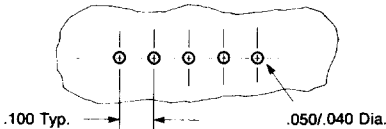
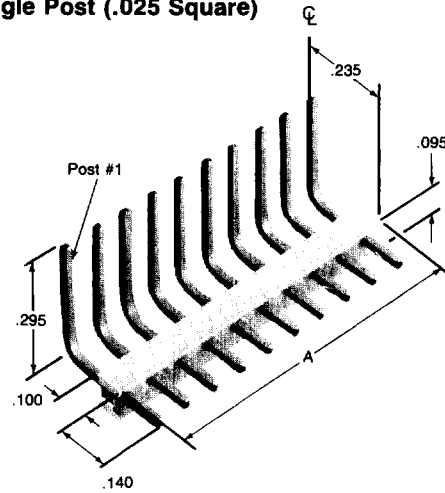
Specifications subject to change.
For latest design specifications...
1-800-522-6752

Dimensioning:
Dimensions are in inches

Straight Post (.025 Square)



Right Angle Post (.025 Square)



Recommended Mounting Hole Size
for a 1/16 Thk. Pc Board

No. of Positions	A Dim.	Part Numbers
2	.200	643802-2
3	.300	643802-3
4	.400	643802-4
5	.500	643802-5
6	.600	643802-6
7	.700	643802-7
8	.800	643802-8
9	.900	643802-9
10	1.000	1-643802-0
11	1.100	1-643802-1
12	1.200	1-643802-2
13	1.300	1-643802-3
14	1.400	1-643802-4
15	1.500	1-643802-5
16	1.600	1-643802-6
17	1.700	1-643802-7
18	1.800	1-643802-8
19	1.900	1-643802-9
20	2.000	2-643802-0
21	2.100	2-643802-1
22	2.200	2-643802-2
23	2.300	2-643802-3
24	2.400	2-643802-4
25	2.500	2-643802-5
26	2.600	2-643802-6
27	2.700	2-643802-7
28	2.800	2-643802-8

For AMP products that mate with these headers, see pages 3386 and 3387.

No. of Positions	Dim. A	Part Numbers
2	.200	643163-2
3	.300	643163-3
4	.400	643163-4
5	.500	643163-5
6	.600	643163-6
7	.700	642163-7
8	.800	643163-8
9	.900	643163-9
10	1.000	1-643163-0
11	1.100	1-643163-1
12	1.200	1-643163-2
13	1.300	1-643163-3
14	1.400	1-643163-4
15	1.500	1-643163-5
16	1.600	1-643163-6
17	1.700	1-643163-7
18	1.800	1-643163-8
19	1.900	1-643163-9
20	2.000	2-643163-0
21	2.100	2-643163-1
22	2.200	2-643163-2
23	2.300	2-643163-3
24	2.400	2-643163-4
25	2.500	2-643163-5
26	2.600	2-643163-6
27	2.700	2-643163-7
28	2.800	2-643163-8

Material:

Housing—Polyester 94V-0 rated, natural

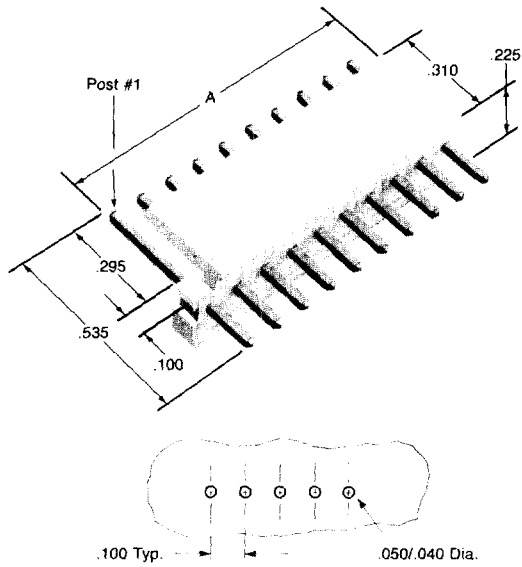
Posts—Tin plated copper alloy

Specifications subject to change.
For latest design specifications...
1-800-522-6752

Dimensioning:
Dimensions are in inches

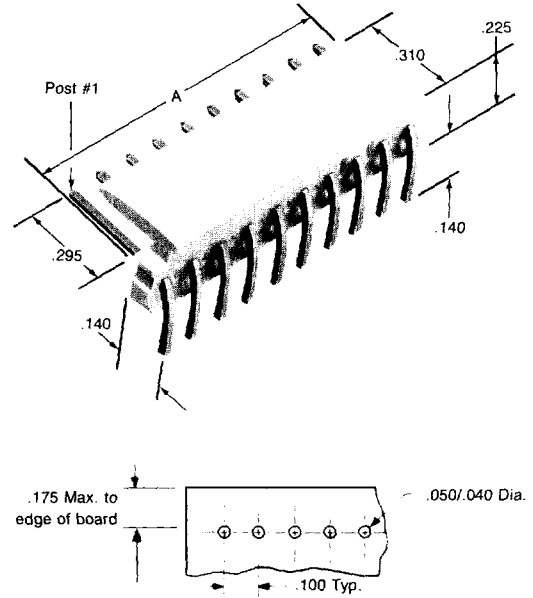
**MTA-100 Post Headers
.100 Centers
Polarized Header with
Polarizing Notches**

Straight Post (.025 Square)



Recommended Mounting Hole Size
for a 1/16 Thk. Pc Board

Right Angle Post (.025 Square)



Recommended Mounting Hole Size
for a 1/16 Thk. Pc Board

Printed Circuit Board Connectors

3

No. of Positions	Dim. A	Part Numbers
2	.200	640454-2
3	.300	640454-3
4	.400	640454-4
5	.500	640454-5
6	.600	640454-6
7	.700	640454-7
8	.800	640454-8
9	.900	640454-9
10	1.000	1-640454-0
11	1.100	1-640454-1
12	1.200	1-640454-2
13	1.300	1-640454-3
14	1.400	1-640454-4
15	1.500	1-640454-5
16	1.600	1-640454-6
17	1.700	1-640454-7
18	1.800	1-640454-8
19	1.900	1-640454-9
20	2.000	2-640454-0
21	2.100	2-640454-1
22	2.200	2-640454-2
23	2.300	2-640454-3
24	2.400	2-640454-4
25	2.500	2-640454-5
26	2.600	2-640454-6
27	2.700	2-640454-7
28	2.800	2-640454-8

Other features available on request

- .000015 and .000030 gold plating
- Post(s) can be omitted for keying purposes. Specify the desired post(s) to be omitted using the figure above identifying Post #1

Minimum order quantities and extended lead times may apply on desired special features. Consult AMP Incorporated, Harrisburg, PA 17105.

For AMP products that mate with these headers, see pages 3386 and 3387.

Material:

Housing—Polyester 94V-0 rated, natural
Posts—Tin plated copper alloy

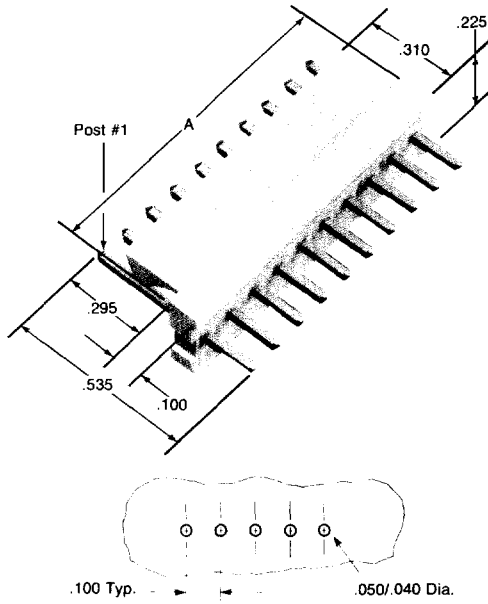
No. of Positions	Dim. A	Part Numbers
2	.200	640455-2
3	.300	640455-3
4	.400	640455-4
5	.500	640455-5
6	.600	640455-6
7	.700	640455-7
8	.800	640455-8
9	.900	640455-9
10	1.000	1-640455-0
11	1.100	1-640455-1
12	1.200	1-640455-2
13	1.300	1-640455-3
14	1.400	1-640455-4
15	1.500	1-640455-5
16	1.600	1-640455-6
17	1.700	1-640455-7
18	1.800	1-640455-8
19	1.900	1-640455-9
20	2.000	2-640455-0
21	2.100	2-640455-1
22	2.200	2-640455-2
23	2.300	2-640455-3
24	2.400	2-640455-4
25	2.500	2-640455-5
26	2.600	2-640455-6
27	2.700	2-640455-7
28	2.800	2-640455-8

*Specifications subject to change.
For latest design specifications...
1-800-522-6752*

Dimensioning:
Dimensions are in inches

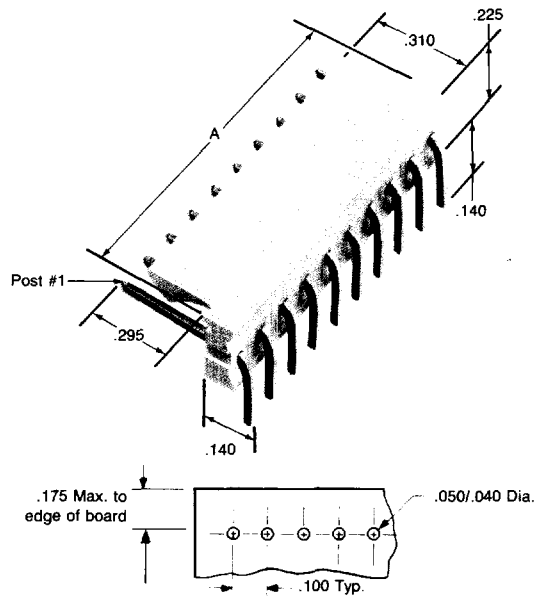
**MTA-100 Post Header
.100 Centers
Friction Lock Header with
Polarizing Notches**

Straight Post (.025 Square)



**Recommended Mounting Hole Size
for a 1/16 Thk. Pc Board**

Right Angle Post (.025 Square)



**Recommended Mounting Hole Size
for a 1/16 Thk. Pc Board**

No. of Positions	Dim. A	Part Numbers
2	.200	640456-2
3	.300	640456-3
4	.400	640456-4
5	.500	640456-5
6	.600	640456-6
7	.700	640456-7
8	.800	640456-8
9	.900	640456-9
10	1.000	1-640456-0
11	1.100	1-640456-1
12	1.200	1-640456-2
13	1.300	1-640456-3
14	1.400	1-640456-4
15	1.500	1-640456-5
16	1.600	1-640456-6
17	1.700	1-640456-7
18	1.800	1-640456-8
19	1.900	1-640456-9
20	2.000	2-640456-0
21	2.100	2-640456-1
22	2.200	2-640456-2
23	2.300	2-640456-3
24	2.400	2-640456-4
25	2.500	2-640456-5
26	2.600	2-640456-6
27	2.700	2-640456-7
28	2.800	2-640456-8

Other features available on request

- .000015 and .000030 gold plating
- Post(s) can be omitted for keying purposes. Specify the desired post(s) to be omitted using the figure above identifying Post #1

Minimum order quantities and extended lead times may apply on desired special features. Consult AMP Incorporated, Harrisburg, PA 17105.

For AMP products that mate with these headers, see pages 3386 and 3387.

No. of Positions	Dim. A	Part Numbers
2	.200	640457-2
3	.300	640457-3
4	.400	640457-4
5	.500	640457-5
6	.600	640457-6
7	.700	640457-7
8	.800	640457-8
9	.900	640457-9
10	1.000	1-640457-0
11	1.100	1-640457-1
12	1.200	1-640457-2
13	1.300	1-640457-3
14	1.400	1-640457-4
15	1.500	1-640457-5
16	1.600	1-640457-6
17	1.700	1-640457-7
18	1.800	1-640457-8
19	1.900	1-640457-9
20	2.000	2-640457-0
21	2.100	2-640457-1
22	2.200	2-640457-2
23	2.300	2-640457-3
24	2.400	2-640457-4
25	2.500	2-640457-5
26	2.600	2-640457-6
27	2.700	2-640457-7
28	2.800	2-640457-8

Material:

Housing—Polyester 94V-0 rated, natural

Posts—Tin plated copper alloy

Specifications subject to change.
For latest design specifications...
1-800-522-6752

Dimensioning:
Dimensions are in inches

MTA-156 Receptacles .156 Centers

Color Coding by Wire Size:

- 24 AWG—Natural
- 22 AWG—Red
- 20 AWG—Yellow
- 18 AWG—Orange

Accepts insulation range of .095 dia. max. when terminating one wire at a time.

Accepts insulation range of .070 dia. max. when mass terminating.

Other features available upon request

■ .000015 and .000030 gold plating

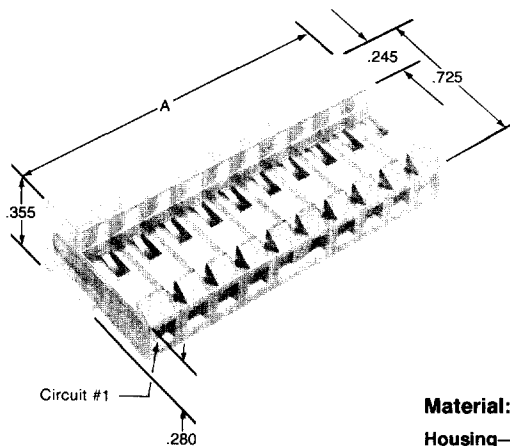
■ Receptacle circuits molded closed for keying purposes

■ Tape mounted receptacles available on reels

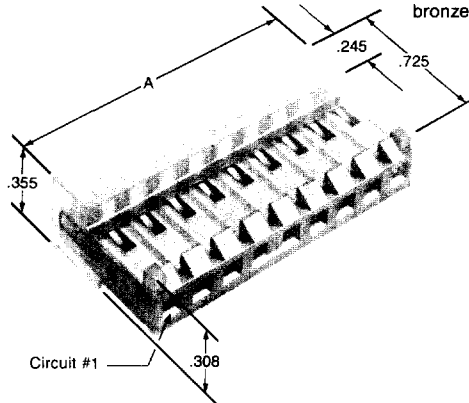
Minimum order quantities and extended lead times may apply on special desired features. Consult AMP Incorporated, Harrisburg, PA 17105.

For AMP products that mate with these receptacles, see pages 3398 and 3400, and 3401 (without tab only).

Closed End With Lock, Without Polarizing Tab



Closed End With Lock, With Polarizing Tab



Material:

Housing—Thermoplastic 94V-2 rated

Contacts—Tin plated phosphor bronze

No. of Circuits	Dim. A	Without Polarizing Tab				With Polarizing Tab			
		24 AWG	22 AWG	20 AWG	18 AWG	24 AWG	22 AWG	20 AWG	18 AWG
2	.312	640429-2	640428-2 643193-2*	640427-2	640426-2 643191-2*	643820-2	643819-2	643818-2	643817-2
3	.468	640429-3	640428-3 643193-3*	640427-3	640426-3 643191-3*	643820-3	643819-3	643818-3	643817-3
4	.624	640429-4	640428-4 643193-4*	640427-4	640426-4 643191-4*	643820-4	643819-4	643818-4	643817-4
5	.780	640429-5	640428-5 643193-5*	640427-5	640426-5 643191-5*	643820-5	643819-5	643818-5	643817-5
6	.936	640429-6	640428-6 643193-6*	640427-6	640426-6 643191-6*	643820-6	643819-6	643818-6	643817-6
7	1.092	640429-7	640428-7	640427-7	640426-7	643820-7	643819-7	643818-7	643817-7
8	1.248	640429-8	640428-8	640427-8	640426-8	643820-8	643819-8	643818-8	643817-8
9	1.404	640429-9	640428-9	640427-9	640426-9	643820-9	643819-9	643818-9	643817-9
10	1.560	1-640429-0	1-640428-0	1-640427-0	1-640426-0	1-643820-0	1-643819-0	1-643818-0	1-643817-0
11	1.716	1-640429-1	1-640428-1	1-640427-1	1-640426-1	1-643820-1	1-643819-1	1-643818-1	1-643817-1
12	1.872	1-640429-2	1-640428-2	1-640427-2	1-640426-2	1-643820-2	1-643819-2	1-643818-2	1-643817-2
13	2.028	—	—	—	1-640426-3	1-643820-3	1-643819-3	1-643818-3	1-643817-3
14	2.184	—	—	—	1-640426-4	1-643820-4	1-643819-4	1-643818-4	1-643817-4
15	2.340	—	—	—	1-640426-5	1-643820-5	1-643819-5	1-643818-5	1-643817-5
16	2.496	—	—	—	1-640426-6	1-643820-6	1-643819-6	1-643818-6	1-643817-6
17	2.652	—	—	—	1-640426-7	1-643821-7	1-643819-7	1-643818-7	1-643817-7
18	2.808	—	—	—	1-640426-8	1-643821-8	1-643819-8	1-643818-8	1-643817-8
19	2.964	—	—	—	1-640426-9	1-643821-9	1-643819-9	1-643818-9	1-643817-9
20	3.120	—	—	—	2-640426-0	2-643821-0	2-643819-0	2-643818-0	2-643817-0
21	3.276	—	—	—	2-640426-1	2-643821-1	2-643819-1	2-643818-1	2-643817-1
22	3.432	—	—	—	2-640426-2	2-643821-2	2-643819-2	2-643818-2	2-643817-2
23	3.588	—	—	—	2-640426-3	2-643821-3	2-643819-3	2-643818-3	2-643817-3
24	3.744	—	—	—	2-640426-4	2-643821-4	2-643819-4	2-643818-4	2-643817-4

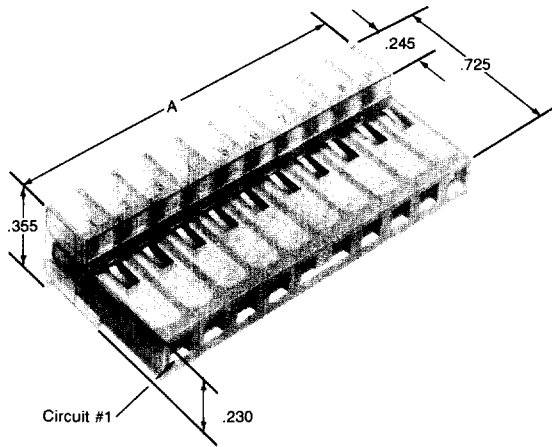
*High force connectors

Note: Closed-end receptacles with lock and with or without polarizing tabs are available in 13 through 24 position sizes.

Specifications subject to change.
For latest design specifications...
1-800-522-6752

Dimensioning:
Dimensions are in inches

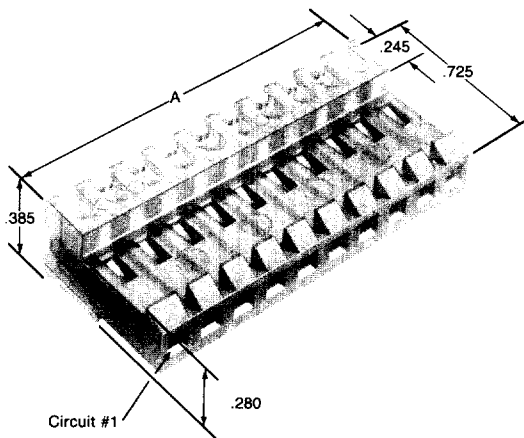
Closed End Without Lock, Without Polarizing Tabs



24, 22, and 20 AWG wire gauge receptacles in 13 through 24 position sizes are also available on request. For AMP products that mate with these receptacles, see pages 3398 and 3399.

No. of Circuits	Dim. A	24 AWG	22 AWG	20 AWG	18 AWG
2	.312	640434-2	640433-2	640432-2	640431-2
3	.468	640434-3	640433-3	640432-3	640431-3
4	.624	640434-4	640433-4	640432-4	640431-4
5	.780	640434-5	640433-5	640432-5	640431-5
6	.936	640434-6	640433-6	640432-6	640431-6
7	1.092	640434-7	640433-7	640432-7	640431-7
8	1.248	640434-8	640433-8	640432-8	640431-8
9	1.404	640434-9	640433-9	640432-9	640431-9
10	1.560	1-640434-0	1-640433-0	1-640432-0	1-640431-0
11	1.716	1-640434-1	1-640433-1	1-640432-1	1-640431-1
12	1.872	1-640434-2	1-640433-2	1-640432-2	1-640431-2
13	2.028	—	—	—	1-640431-3
14	2.184	—	—	—	1-640431-4
15	2.340	—	—	—	1-640431-5
16	2.496	—	—	—	1-640431-6
17	2.652	—	—	—	1-640431-7
18	2.808	—	—	—	1-640431-8
19	2.964	—	—	—	1-640431-9
20	3.120	—	—	—	2-640431-0
21	3.276	—	—	—	2-640431-1
22	3.432	—	—	—	2-640431-2
23	3.588	—	—	—	2-640431-3
24	3.744	—	—	—	2-640431-4

Feed-thru With Lock, Without Polarizing Tabs



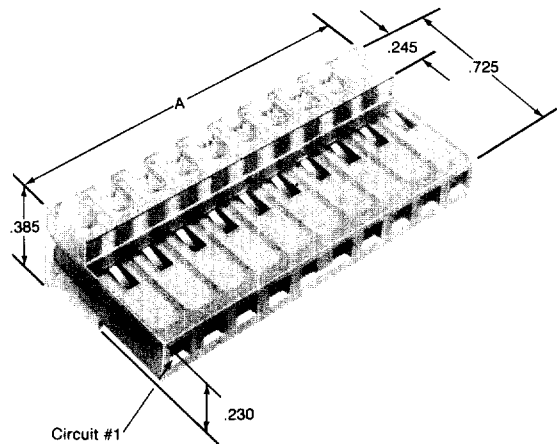
No. of Circuits	Dim. A	22 AWG	18 AWG
2	.312	640601-2	640599-2
3	.468	640601-3	640599-3
4	.624	640601-4	640599-4
5	.780	640601-5	640599-5
6	.936	640601-6	640599-6
7	1.092	640601-7	640599-7
8	1.248	640601-8	640599-8
9	1.404	640601-9	640599-9
10	1.560	1-640601-0	1-640599-0
11	1.716	1-640601-1	1-640599-1
12	1.872	1-640601-2	1-640599-2

Other features available on request

- High force tin plated receptacles in 2 through 6 position sizes only
- 22 and 18 AWG wire gauge receptacles in 13 through 24 position sizes
- 24 and 26 AWG wire gauge receptacles in 2 through 24 position sizes

For AMP products that mate with these receptacles, see pages 3398, 3400 and 3401.

Feed-Thru Without Lock, Without Polarizing Tabs



No. of Circuits	Dim. A	24 AWG	18 AWG
2	.312	640607-2	640604-2
3	.468	640607-3	640604-3
4	.624	640607-4	640604-4
5	.780	640607-5	640604-5
6	.936	640607-6	640604-6
7	1.092	640607-7	640604-7
8	1.248	640607-8	640604-8
9	1.404	640607-9	640604-9
10	1.560	1-640607-0	1-640604-0
11	1.716	1-640607-1	1-640604-1
12	1.872	1-640607-2	1-640604-2

Also available on request

- 24 and 18 AWG wire gauge receptacles in 13 through 24 position sizes
- 22 and 20 AWG wire gauge receptacles in 2 through 24 position sizes.

For AMP products that mate with these receptacles, see pages 3398 and 3399.

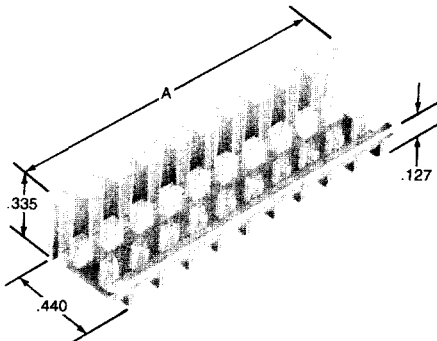
Specifications subject to change.
For latest design specifications...
1-800-522-6752

Dimensioning:
Dimensions are in inches

3 Printed Circuit Board Connectors

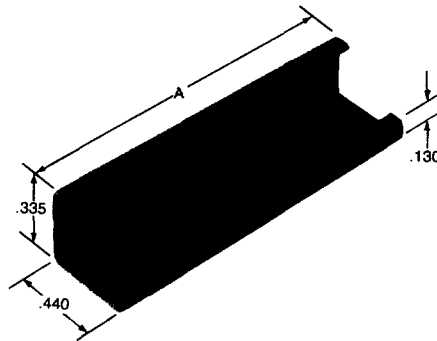
Closed-End Strain Relief Covers

Material:
Thermoplastic, 94V-2 rated, natural



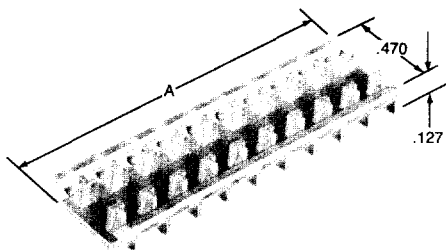
Closed-End Dust Covers

Material:
Thermoplastic, 94V-2 rated, natural



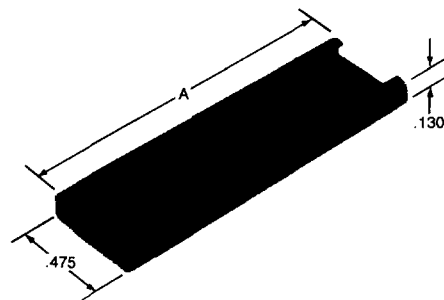
Feed-Thru Strain Relief Covers

Material:
Thermoplastic, 94V-2 rated, natural



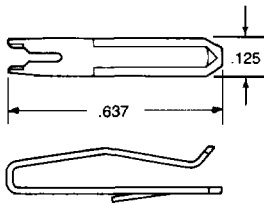
Feed-Thru Dust Covers

Material:
Thermoplastic, 94V-2 rated, natural



Replacement Contacts

Material and Finish: Tin plated phosphor bronze
Stock Thickness: .0125

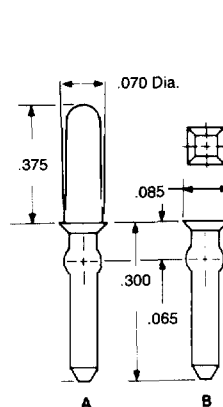


Wire Size AWG	Part Numbers
24	640634-2
22	640633-2
20	640632-2
18	640631-2

Note: Contacts also available in .000015 and .000030 gold. Contact AMP Incorporated, Harrisburg, PA 17105.

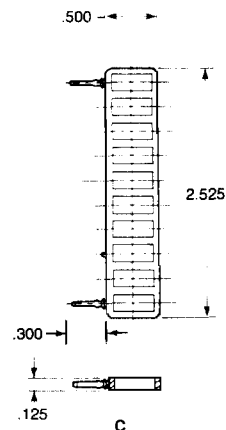
Loose Piece Keying Plugs

- A** Part No. 640630-1 (long nose)
Used with Staked Posts
- B** Part No. 640629-1 (flush)
Used with Keyed Headers



Keying Plug on Carrier Strip

- C** Part No. 641623-1 (flush)
Keying Plug on Carrier Strip
(10 per strip)



Note: Removal of contact is not necessary when using keying plug
Material: Thermoplastic, 94V-2 rated, natural

Specifications subject to change.
For latest design specifications...
1-800-522-6752

Dimensioning:
Dimensions are in inches

Strain Relief Covers and Dust Covers

No. of Circuits	Dim. A	Closed-End Strain Relief Covers		Feed-Thru Strain Relief Covers		Closed-End Dust Covers	Feed-Thru Dust Covers
		.065 Max. O.D. 94V-2 (Black)	.095 Max O.D. 94V-2 (Natural)	.065 Max. O.D. 94V-2 (Black)	.095 Max O.D. 94V-2 (Natural)		
2	.312	643069-2	643067-2	—	643071-2	—	—
3	.468	643069-3	643067-3	—	643071-3	640551-3	640643-3
4	.624	643069-4	643067-4	—	643071-4	640551-4	640643-4
5	.780	643069-5	643067-5	—	643071-5	640551-5	640643-5
6	.936	643069-6	643067-6	—	643071-6	640551-6	640643-6
7	1.092	643069-7	643067-7	—	643071-7	640551-7	640643-7
8	1.248	643069-8	643067-8	—	643071-8	640551-8	640643-8
9	1.404	643069-9	643067-9	—	643071-9	640551-9	640643-9
10	1.560	1-643069-0	1-643067-0	—	1-643071-0	1-640551-0	1-640643-0
11	1.716	1-643069-1	1-643067-1	—	1-643071-1	1-640551-1	1-640643-1
12	1.872	1-643069-2	1-643067-2	—	1-643071-2	1-640551-2	1-640643-2
13	2.028	—	1-643067-3	—	1-643071-3	1-640551-3	—
14	2.184	—	1-643067-4	—	1-643071-4	1-640551-4	—
15	2.340	—	1-643067-5	—	1-643071-5	1-640551-5	—
16	2.496	—	1-643067-6	—	1-643071-6	1-640551-6	—
17	2.652	—	1-643067-7	—	1-643071-7	1-640551-7	—
18	2.808	—	1-643067-8	—	1-643071-8	1-640551-8	—
19	2.964	—	1-643067-9	—	1-643071-9	1-640551-9	—
20	3.120	—	2-643067-0	—	2-643071-0	2-640551-0	—
21	3.276	—	2-643067-1	—	2-643071-1	2-640551-1	—
22	3.432	—	2-643067-2	—	2-643071-2	2-640551-2	—
23	3.588	—	2-643067-3	—	2-643071-3	2-640551-3	—
24	3.744	2-643069-4	2-643067-4	2-643072-4	2-643071-4	2-640551-4	2-640643-4

Closed-End Strain Relief Covers for 13 through 23 position sizes are available on request

Feed-Thru Strain Relief Covers for 2 through 23 position sizes are available upon request

Feed-Thru Dust Covers for 13 through 23 position sizes are available upon request

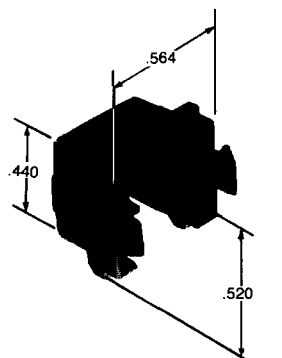
Minimum order quantities and extended lead times may apply on special requests.

Consult AMP Incorporated, Harrisburg, PA 17105.

Panel Mounting End Cap (2 Pos. Only)

Material: Thermoplastic 94V-2 rated, black

Part No. 641533-1

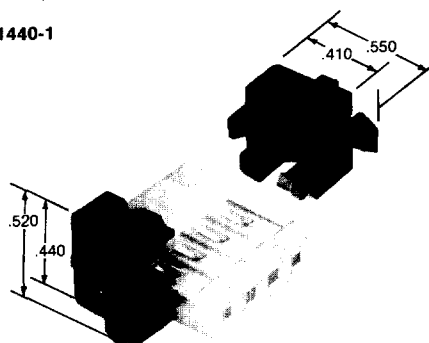


Recommended Panel Cutout
Panel Thickness .062

Panel Mounting End Caps

Material: Thermoplastic 94V-2 rated, black

Part No. 641440-1



Recommended Panel Cutout
Panel Thickness .062

No. of Positions	Dim. A
3	.736
4	.892
6	1.204
9	1.672
12	2.140
15	2.608
24	4.012

Both left hand and right hand end caps are attached by a connecting tab. This tab must be broken off prior to installing on receptacle.

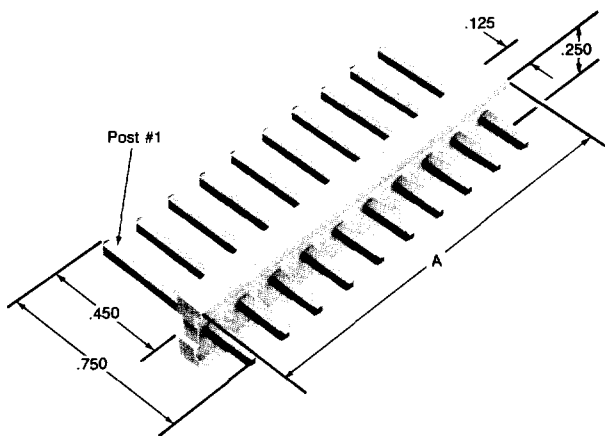
Panel mounting end caps can be attached to the posted connector or the receptacle. For best results attach end caps to the receptacle.

MTA-156 Post Headers .156 Centers Flat Header

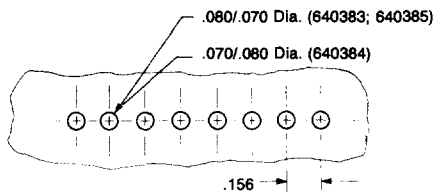
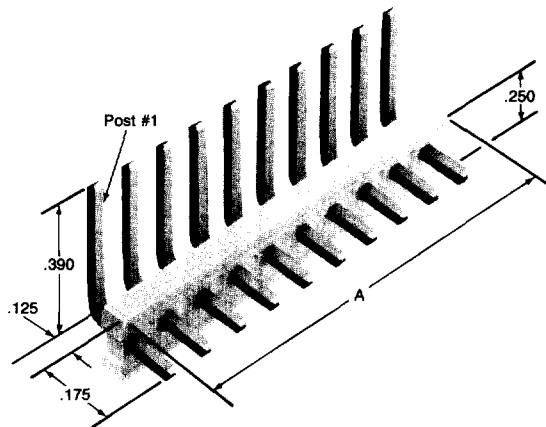
Specifications subject to change.
For latest design specifications...
1-800-522-6752

Dimensioning:
Dimensions are in inches

Straight Post (.045 Square and Round)



Right Angle Post (.045 Square)



Recommended Mounting Hole Size
for a 1/16 Thk. Pc Board

No. of Positions	Dim. A	Square Posts	Round Posts
2	.312	640383-2	640384-2
3	.468	640383-3	640384-3
4	.624	640383-4	640384-4
5	.780	640383-5	640384-5
6	.936	640383-6	640384-6
7	1.092	640383-7	640384-7
8	1.248	640383-8	640384-8
9	1.404	640383-9	640384-9
10	1.560	1-640383-0	1-640384-0
11	1.716	1-640383-1	1-640384-1
12	1.872	1-640383-2	1-640384-2
13	2.028	1-640383-3	—
14	2.184	1-640383-4	—
15	2.340	1-640383-5	—
16	2.496	1-640383-6	—
17	2.652	1-640383-7	—
18	2.808	1-640383-8	—
19	2.964	1-640383-9	—
20	3.120	2-640383-0	—
21	3.276	2-640383-1	—
22	3.432	2-640383-2	—
23	3.588	2-640383-3	—
24	3.744	2-640383-4	—

No. of Positions	Dim. A	Part Numbers
2	.312	640385-2
3	.468	640385-3
4	.624	640385-4
5	.780	640385-5
6	.936	640385-6
7	1.092	640385-7
8	1.248	640385-8
9	1.404	640385-9
10	1.560	1-640385-0
11	1.716	1-640385-1
12	1.872	1-640385-2
13	2.028	1-640385-3
14	2.184	1-640385-4
15	2.340	1-640385-5
16	2.496	1-640385-6
17	2.652	1-640385-7
18	2.808	1-640385-8
19	2.964	1-640385-9
20	3.120	2-640385-0
21	3.276	2-640385-1
22	3.432	2-640385-2
23	3.588	2-640385-3
24	3.744	2-640385-4

Material:

Housing—Polyester 94V-0 rated, natural
Posts—Tin plated copper alloy

For AMP products, that mate with these headers, see pages 3394 and 3395.

Other features available on request

- .000015 and .000030 gold plating
- Post(s) can be omitted for keying purposes. Specify the desired post(s) to be omitted using the figure above identifying Post #1
- 13 through 24 position sizes in the round and straight post flat header

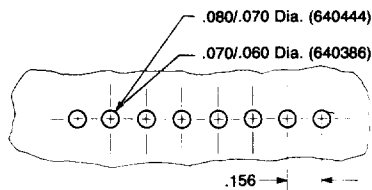
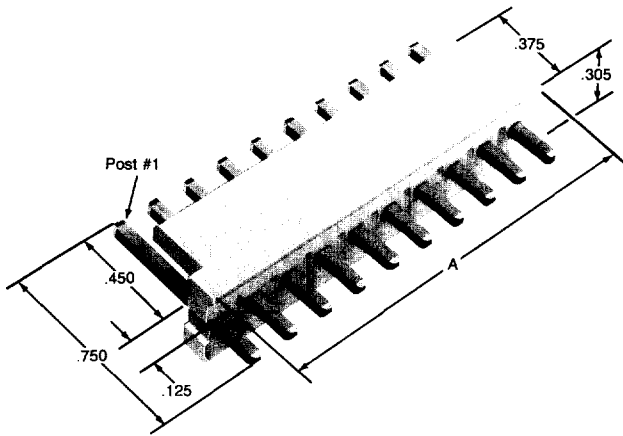
Minimum order quantities and extended lead times may apply on desired special features. Consult AMP Incorporated, Harrisburg, PA 17105.

Specifications subject to change.
For latest design specifications...
1-800-522-6752

Dimensioning:
Dimensions are in inches

MTA-156 Post Header .156 Centers Polarized Header with Polarizing Notches

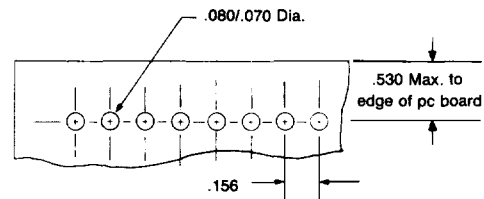
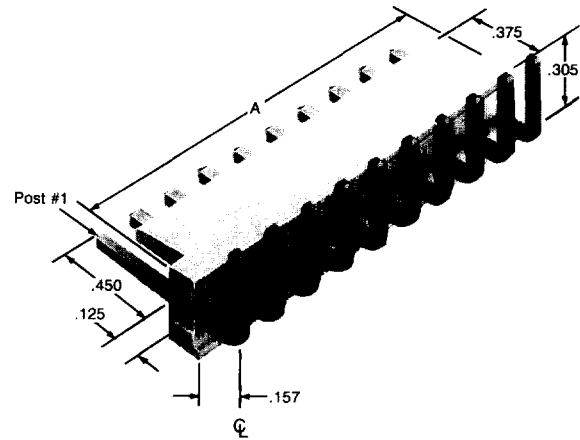
Straight Post (.045 Square and Round)



Recommended Mounting Hole Size
for a 1/16 Thk. Pc Board

No. of Positions	Dim. A	Square Posts	Round Posts
2	.312	640444-2	640386-2
3	.468	640444-3	640386-3
4	.624	640444-4	640386-4
5	.780	640444-5	640386-5
6	.936	640444-6	640386-6
7	1.092	640444-7	640386-7
8	1.248	640444-8	640386-8
9	1.404	640444-9	640386-9
10	1.560	1-640444-0	1-640386-0
11	1.716	1-640444-1	1-640386-1
12	1.872	1-640444-2	1-640386-2
13	2.028	1-640444-3	—
14	2.184	1-640444-4	—
15	2.340	1-640444-5	—
16	2.496	1-640444-6	—
17	2.652	1-640444-7	—
18	2.808	1-640444-8	—
19	2.964	1-640444-9	—
20	3.120	2-640444-0	—
21	3.276	2-640444-1	—
22	3.432	2-640444-2	—
23	3.588	2-640444-3	—
24	3.744	2-640444-4	2-640386-4

Right Angle Post (.045 Square)



Recommended Mounting Hole Size
for a 1/16 Thk. Pc Board

No. of Positions	Dim. A	Part Numbers
2	.312	640387-2
3	.468	640387-3
4	.624	640387-4
5	.780	640387-5
6	.936	640387-6
7	1.092	640387-7
8	1.248	640387-8
9	1.404	640387-9
10	1.560	1-640387-0
11	1.716	1-640387-1
12	1.872	1-640387-2
13	2.028	1-640387-3
14	2.184	1-640387-4
15	2.340	1-640387-5
16	2.496	1-640387-6
17	2.652	1-640387-7
18	2.808	1-640387-8
19	2.964	1-640387-9
20	3.120	2-640387-0
21	3.276	2-640387-1
22	3.432	2-640387-2
23	3.588	2-640387-3
24	3.744	2-640387-4

Material:

Housing—Polyester 94V-0 rated, natural

Posts—Tin plated copper alloy

For AMP products that mate with these headers, see page 3395 (receptacles without lock only).

Other features available on request

- .000015 and .000030 gold plating
- Post(s) can be omitted for keying purposes. Specify the desired post(s) to be omitted using the figure above identifying Post #1
- 13 through 23 position sizes in the round straight post polarized header are also available

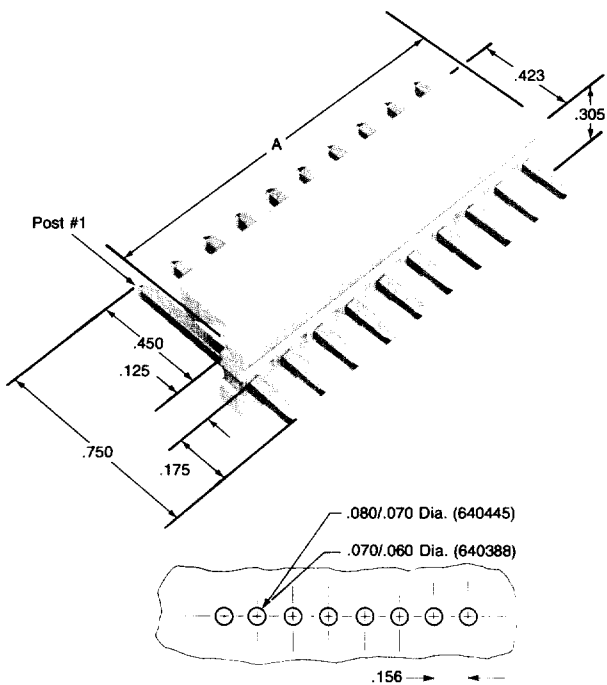
Minimum order quantities and extended lead times may apply on desired special features. Consult AMP Incorporated, Harrisburg, PA 17105.

Specifications subject to change.
For latest design specifications...
1-800-522-6752

Dimensioning:
Dimensions are in inches

MTA-156 Post Header .156 Centers Friction Lock Header with Polarizing Notches

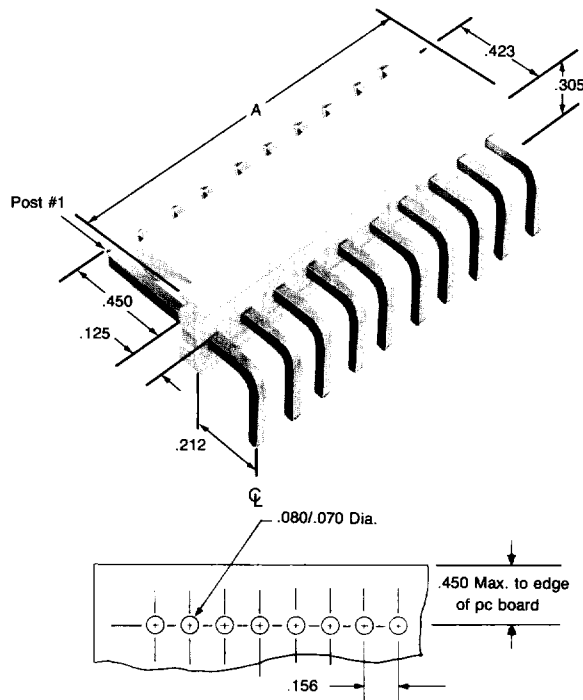
Straight Post (.045 Square and Round)



Recommended Mounting Hole Size
for a 1/16 Thk. Pc Board

No. of Positions	Dim. A	Square Posts	Round Posts
2	.312	640445-2	640388-2
3	.468	640445-3	640388-3
4	.624	640445-4	640388-4
5	.780	640445-5	640388-5
6	.936	640445-6	640388-6
7	1.092	640445-7	640388-7
8	1.248	640445-8	640388-8
9	1.404	640445-9	640388-9
10	1.560	1-640445-0	1-640388-0
11	1.716	1-640445-1	1-640388-1
12	1.872	1-640445-2	1-640388-2
13	2.028	1-640445-3	1-640388-3
14	2.184	1-640445-4	1-640388-4
15	2.340	1-640445-5	1-640388-5
16	2.496	1-640445-6	1-640388-6
17	2.652	1-640445-7	1-640388-7
18	2.808	1-640445-8	1-640388-8
19	2.964	1-640445-9	1-640388-9
20	3.120	2-640445-0	2-640388-0
21	3.276	2-640445-1	2-640388-1
22	3.432	2-640445-2	2-640388-2
23	3.588	2-640445-3	2-640388-3
24	3.744	2-640445-4	2-640388-4

Right Angle Post (.045 Square)



Recommended Mounting Hole Size
for a 1/16 Thk. Pc Board

No. of Positions	Dim. A	Part Numbers
2	.312	640389-2
3	.468	640389-3
4	.624	640389-4
5	.780	640389-5
6	.936	640389-6
7	1.092	640389-7
8	1.248	640389-8
9	1.404	640389-9
10	1.560	1-640389-0
11	1.716	1-640389-1
12	1.872	1-640389-2
13	2.028	1-640389-3
14	2.184	1-640389-4
15	2.340	1-640389-5
16	2.496	1-640389-6
17	2.652	1-640389-7
18	2.808	1-640389-8
19	2.964	1-640389-9
20	3.120	2-640389-0
21	3.276	2-640389-1
22	3.432	2-640389-2
23	3.588	2-640389-3
24	3.744	2-640389-4

Material:

Housing—Polyester 94V-0 rated, natural

Posts—Tin plated copper alloy

For AMP products that mate with these headers, see pages 3394 and 3395.

Note: Friction Lock Headers must be used with connectors with locking ramps.

Other features available on request

- .000015 and .000030 gold plating
- Post(s) can be omitted for keying purposes. Specify the desired post(s) to be omitted using the figure above identifying Post #1

Minimum order quantities and extended lead times may apply on desired special features. Consult AMP Incorporated, Harrisburg, PA 17105.

MTA-156 Cable-to-Cable Posted Connectors .156 Centers

Specifications subject to change.
For latest design specifications...
1-800-522-6752

Dimensioning:
Dimensions are in inches

Color Coding by Wire Size:

- 24 AWG—Natural
- 22 AWG—Red
- 20 AWG—Yellow
- 18 AWG—Orange

Accepts insulation range of .095 dia. max. when terminating one wire at a time.

Accepts insulation range of .070 dia. max. when mass terminating.

Material:

Housing—Thermoplastic 94V-2 rated

Contacts—Tin plated copper alloy

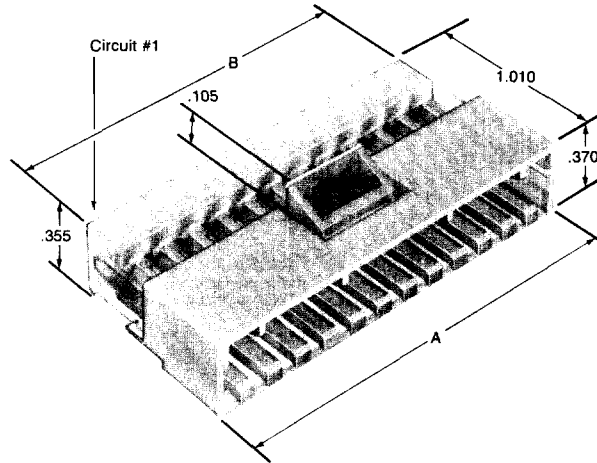
Other features available upon request

- .000015 and .000030 gold plating
- 24, 20 and 18 AWG wire gauge connectors in 2, 3, 4, 6, 9, 12, 15 and 24 position sizes are also available

■ MTA-156 Closed-End Strain Relief Covers or Dust Covers can be used on this connector. See Page 3396

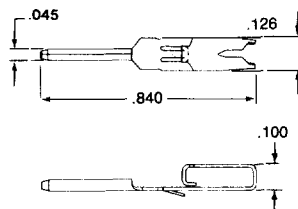
Minimum order quantities and extended lead times may apply on special desired features. Consult AMP Incorporated, Harrisburg, PA 17105.

For AMP products that mate with these receptacles, see pages 3394 through 3395.



No. of Circuits	Dimensions		22 AWG
	A	B	
2	.468	.312	641437-2
3	.624	.468	641437-3
4	.780	.624	641437-4
6	1.092	.936	641437-6
9	1.560	1.404	641437-9
12	2.028	1.872	1-641437-2
15	2.496	2.340	1-641437-5
24	3.900	3.744	2-641437-4

Replacement Contacts Part No. 641427-1



Material and Finish: Tin plated copper alloy
Stock Thickness: .012

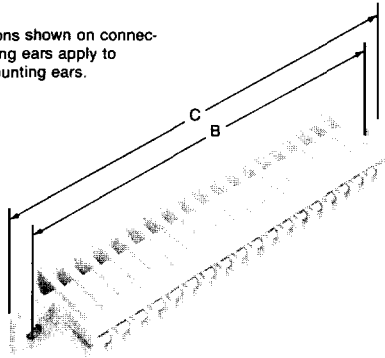
Note: Panel mounting end caps are available for use when mating a closed end receptacle with the cable-to-cable posted connectors. See page 3397.

**Specifications subject to change.
For latest design specifications...
1-800-522-6752**

Dimensioning:
Dimensions are in inches

MTA-156 Card Edge Closed End Connectors

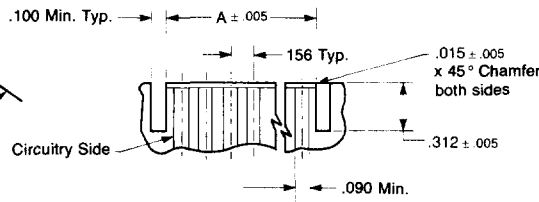
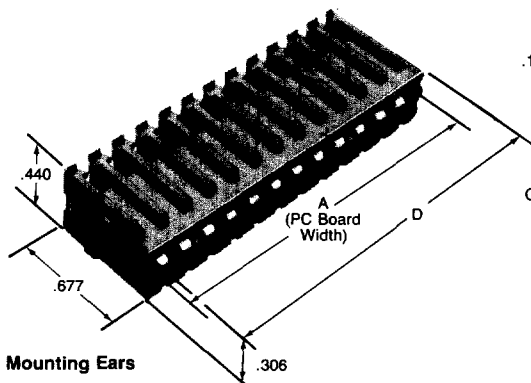
Note: All dimensions shown on connector without mounting ears apply to connector with mounting ears.



No. of Circuits	Dimensions				24 AWG*	22 AWG**
	A	B	C	D		
3	.500	.926	1.248	.624	640867-3	640861-3
6	.968	1.394	1.716	1.092	640867-6	640861-6
9	1.436	1.862	2.184	1.560	640867-9	640861-9
12	1.904	2.330	2.652	2.028	1-640867-2	1-640861-2
15	2.372	2.798	3.120	2.496	1-640867-5	1-640861-5
18	2.840	3.266	3.588	2.964	1-640867-8	1-640861-8
20	3.152	3.578	3.900	3.276	2-640867-0	2-640861-0
21	3.308	3.734	4.056	3.432	2-640867-1	2-640861-1
22	3.464	3.890	4.212	3.588	2-640867-2	2-640861-2
23	3.620	4.046	4.368	3.744	2-640867-3	2-640861-3
24	3.776	4.202	4.524	3.900	2-640867-4	2-640861-4

*With mounting ears
**Without mounting ears

With Mounting Ears



**Recommended Pc Board Layout
for 1/16 Thk. Pc Board**

No. of Circuits	Dim. A
3	.484
6	.952
9	1.420
12	1.888
15	2.356
18	2.824
20	3.136
21	3.292
22	3.448
23	3.604
24	3.760

Without Mounting Ears

Color Coding by Wire Size:

- 24 AWG—Natural
- 22 AWG—Red

Accepts insulation range of .095 dia. max. when terminating one wire at a time.

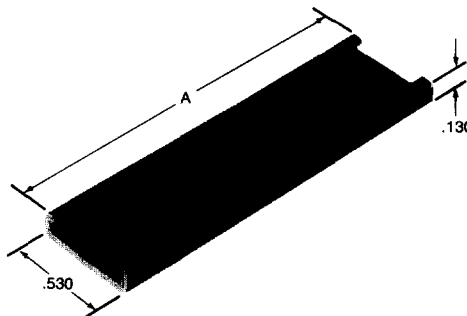
Accepts insulation range of .070 dia. max. when mass terminating.

Material:

- Housing**—Thermoplastic 94V-0 natural
- Contacts**—Tin plated .0125 phosphor bronze

Connector Accessories

Standard Cover



Material: Thermoplastic 94V-2 rated, natural

No. of Circuits	Dim. A	Part Numbers
3	.504	641106-3
6	.972	641106-6
9	1.440	641106-9
12	1.908	1-641106-2
15	2.376	1-641106-5
18	2.844	1-641106-8
20	3.156	2-641106-0
21	3.312	2-641106-1
22	3.468	2-641106-2
23	3.624	2-641106-3
24	3.780	2-641106-4

Replacement Contacts

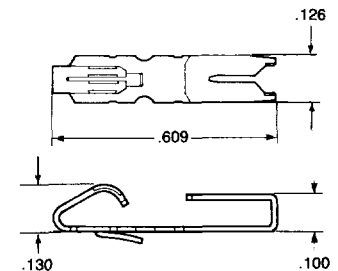
Material and Finish:

Tin plated phosphor bronze

Stock Thickness: .0125

Part Numbers:

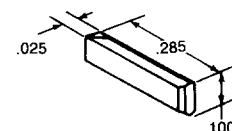
- 24 AWG wire size—640994-1
- 22 AWG wire size—640993-1



Interconnect Keying Plug

Material: Thermoplastic 94V-2 rated, natural

Part Number: 583274-1



**Specifications subject to change.
For latest design specifications...
1-800-522-6752**

Dimensioning:
Dimensions are in inches

SL.156 Wire-to-Board Receptacle Housing Assemblies .156 Centers


Housing with and without Locking Ramp

Material:

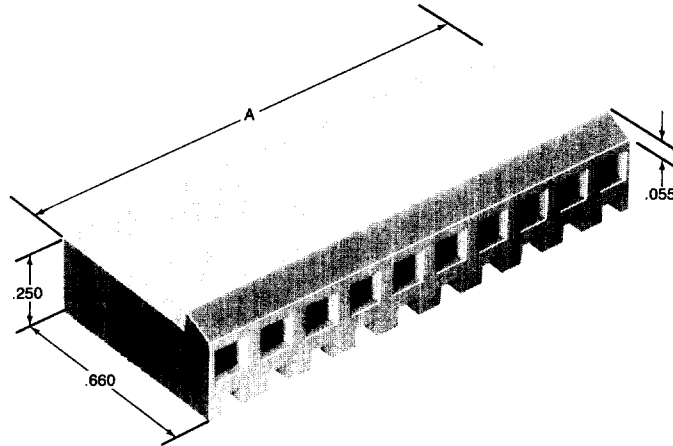
Thermoplastic, 94V-0 rated
Accepts contact No.
640252-1 for 1 through 12
positions and contact No.
350980-1 for 13 through 24
positions.

Max. allowable bow to be
.005 per inch of housing

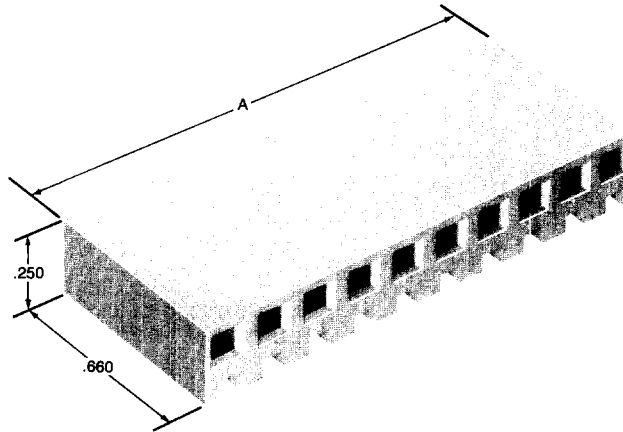
Recognized under the
Component Program of
Underwriters

Laboratories Inc. 
File No. E28476

Note: Accepts either .045 square or
round posts. Housings with locking
ramps mate with headers shown on
pages 3398 and 3400. Housings without
locking ramps mate with headers shown
on pages 3398 and 3399.



With Locking Ramp



Without Locking Ramp

No. of Positions	Dim. A	Part Numbers	
		With Locking Ramp	Without Locking Ramp
1	.152	640250-1	640251-1
2	.308	640250-2	640251-2
3	.465	640250-3	640251-3
4	.620	640250-4	640251-4
5	.777	640250-5	640251-5
6	.933	640250-6	640251-6
7	1.090	640250-7	640251-7
8	1.246	640250-8	640251-8
9	1.402	640250-9	640251-9
10	1.558	1-640250-0	1-640251-0
11	1.715	1-640250-1	1-640251-1
12	1.871	1-640250-2	1-640251-2
13	2.027	1-640250-3	1-640251-3
14	2.183	1-640250-4	1-640251-4
15	2.340	1-640250-5	1-640251-5
16	2.496	1-640250-6	1-640251-6
17	2.652	1-640250-7	1-640251-7
18	2.808	1-640250-8	1-640251-8
19	2.965	1-640250-9	1-640251-9
20	3.121	2-640250-0	2-640251-0
21	3.277	2-640250-1	2-640251-1
22	3.433	2-640250-2	2-640251-2
23	3.590	2-640250-3	2-640251-3
24	3.746	2-640250-4	2-640251-4

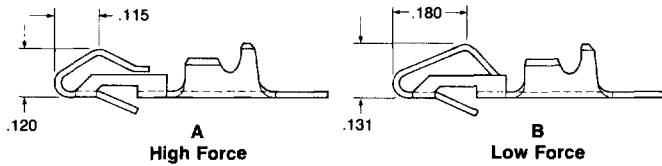
**Specifications subject to change.
For latest design specifications...
1-800-522-6752**

Dimensioning:
Dimensions are in inches

**SL.156
Board-to-Board Receptacle
Housing Assemblies
.156 Centers**

Contacts

Wire Range: 24-18 AWG
Insulation Diameter: .100



Contact	Material and Finish	Part Numbers	
		Strip	Loose Piece
A	.012 brass, bright tin plated	640252-1	640706-1
	.012 pre-tin brass	640252-2	640706-2
B	.012 brass, bright tin plated	350980-1	640707-1
	.012 pre-tin brass	350980-2	—
	.012 brass, gold plated	350980-3	770258-1

Application Note:

Contact part no. 640252 has a higher mating and unmating force than contact part no. 350980 and is recommended to be used in 1 through 12 position housings. All tin-plated contacts are post lubricated to resist fretting corrosion.

Contact part no. 350980 can be used in any size housing but is recommended to be used with 13 through 24 position housings. All tin-plated contacts are post lubricated to resist fretting corrosion.

Hand Tool Nos.:

90123-2 for .060-.100 insulation diameter range, and 90123-5 for .043-.075 insulation diameter range

Applicator Part No.:

466468-2 (AMP-O-LECTRIC Machine) Applicators for AMPOMATOR automatic lead making machines and stripper-crimper machines are also available. Contact AMP Incorporated, Harrisburg, PA 17105.

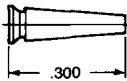
Extraction Tool No.:

457241-1

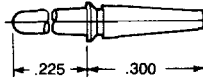
Printed Circuit Board Connectors

3

Keying Plug Material:
Thermoplastic 94V-2
rated, natural



**Keying Plug
Part No. 640254-1**



**Keying Plug
Part No. 640255-1**

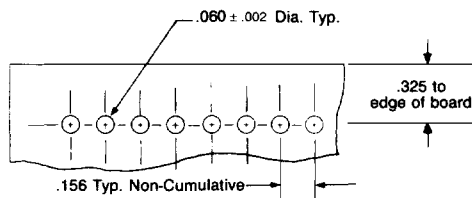
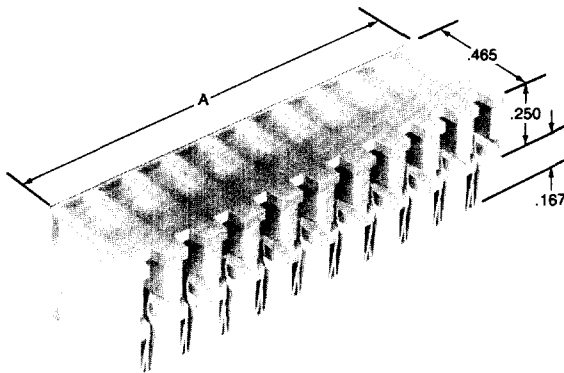
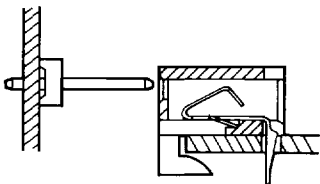
**Specifications subject to change.
For latest design specifications...
1-800-522-6752**

Dimensioning:
Dimensions are in inches

**SL.156
Board-to-Board Receptacle
Housing Assemblies
.156 Centers**

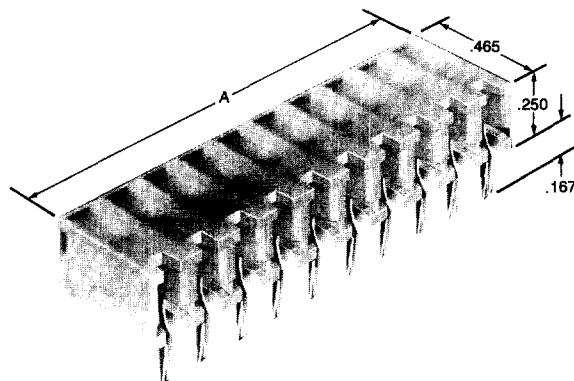
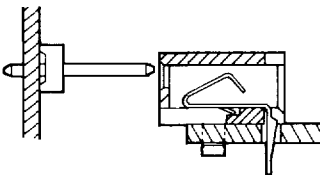
Right Angle Mounting

Hook Style



**Recommended Mounting Hole Size
for 1/16 thk. Pc Board**

Robotic Style



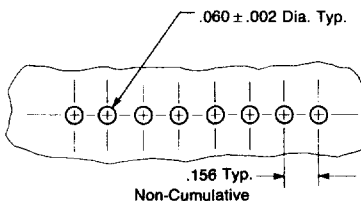
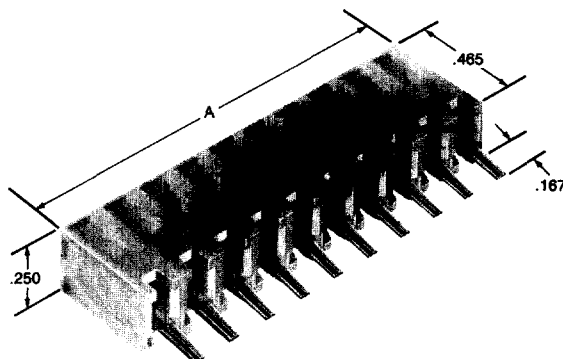
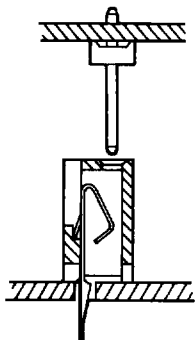
**For mounting hole pattern, contact AMP
Incorporated, Harrisburg, PA 17105**

**Specifications subject to change.
For latest design specifications...
1-800-522-6752**

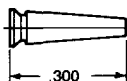
Dimensioning:
Dimensions are in inches

**SL.156
Board-to-Board Receptacle
Housing Assemblies
.156 Centers**

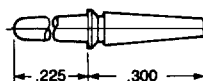
Vertical Mounting



**Recommended Mounting Hole Size
for 1/16 thk. Pc Board**



**Keying Plug
Part No. 640254-1**



**Keying Plug
Part No. 640255-1**

Note: Accepts either .045 square or round posts. Mates with all Headers on page 3398.

No. of Positions	Dim. A	Hook		Robotic		Vertical	
		Gold	Tin	Gold	Tin	Gold	Tin
3	.464	770219-3	770214-3	770220-3	770216-3	770221-3	770218-3
4	.620	770219-4	770214-4	770220-4	770216-4	770221-4	770218-4
5	.776	770219-5	770214-5	770220-5	770216-5	770221-5	770218-5
6	.932	770219-6	770214-6	770220-6	770216-6	770221-6	770218-6
7	1.088	770219-7	770214-7	770220-7	770216-7	770221-7	770218-7
8	1.244	770219-8	770214-8	770220-8	770216-8	770221-8	770218-8
9	1.400	770219-9	770214-9	770220-9	770216-9	770221-9	770218-9
10	1.556	1-770219-0	1-770214-0	1-770220-0	1-770216-0	1-770221-0	1-770218-0
11	1.712	1-770219-1	1-770214-1	1-770220-1	1-770216-1	1-770221-1	1-770218-1
12	1.868	1-770219-2	1-770214-2	1-770220-2	1-770216-2	1-770221-2	1-770218-2
13	2.024	1-770219-3	1-770214-3	1-770220-3	1-770216-3	1-770221-3	1-770218-3
14	2.180	1-770219-4	1-770214-4	1-770220-4	1-770216-4	1-770221-4	1-770218-4
15	2.336	1-770219-5	1-770214-5	1-770220-5	1-770216-5	1-770221-5	1-770218-5