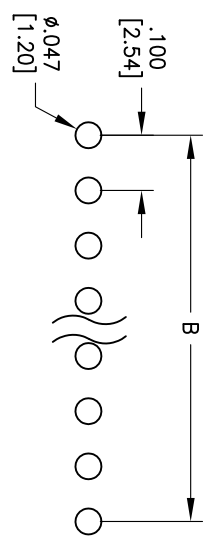
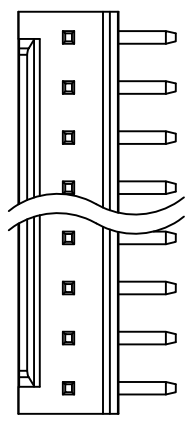
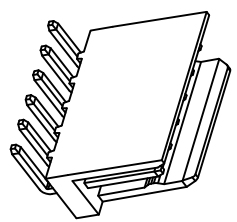
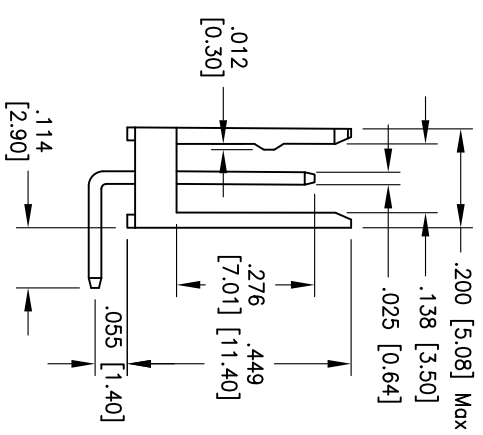
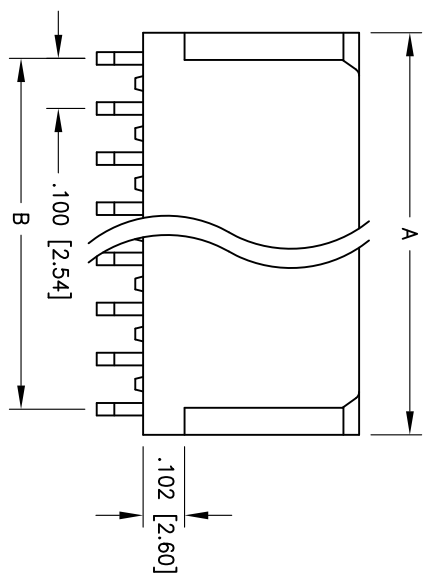


APPROVED: _____
 DATE: _____ TITLE: _____

Rev	AWO #	Description	Date	Appr
-		RELEASED	10/27/08	
A		REVISED COLOR	11/18/09	



Recommended PCB Layout



SPECIFICATIONS:

Material:

Insulator: Nylon 66, rated UL 94V-0

Insulator color: Black

Contacts: Copper Alloy

Plating:

Gold flash over Nickel underplate overall.

Electrical:

Operating voltage: 250 VAC max

Current rating: 3 Amps max

Contact resistance: 20 mohms max

Dielectric withstanding voltage: 1,000 Mohms min

Dielectric withstanding voltage: 1,000 VAC for 1 minute

Temperature Rating:

Operating temperature: -25°C to +105°C

Environmental:

Lead free, RoHS compliant

Recommended soldering temp: 235°C for 5 seconds

Positions: 2 thru 20
 A = .100 [2.54] x No. of Positions
 B = .100 [2.54] x No. of Spaces

UNLESS OTHERWISE SPECIFIED
 ALL DIMENSIONS ARE INCHES [MM]
 TOLERANCES: EXCEPT AS NOTED
 INCHES HOLES
 .X ± .10 ØXX ± .10
 .XX ± .020 ØXXX ± .015
 .XXX ± .015 ØXXXX ± .010

ADAM TECH

909 Rahway Avenue, Union, NJ 07083
 Phone: 908-687-5000 Fax: 908-687-5710

.100 [2.54] LOCKING HEADER, LONG BACK,
 RIGHT ANGLE, GOLD PLATED, PCB

APPROVALS	DATE
DRAWN	10/27/08
CHECKED	
APPROVED	

TITLE	SIZE	PART NO.	REV.
.100 [2.54] LOCKING HEADER, LONG BACK, RIGHT ANGLE, GOLD PLATED, PCB	X	LHA-D-XX-GRA-V0	A
REF: 300096T	SCALE: NTS	SHEET 1 OF 1	



6

5

4

3

2

1