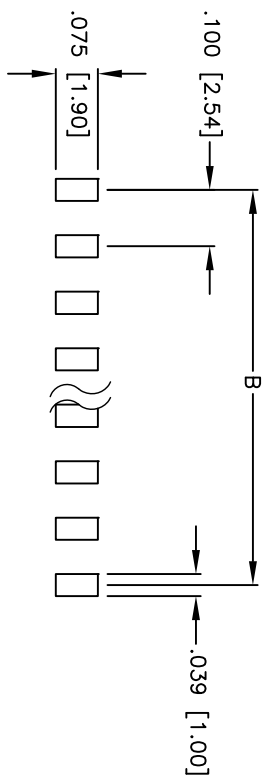
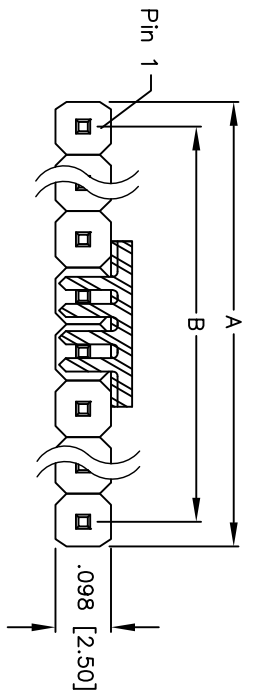
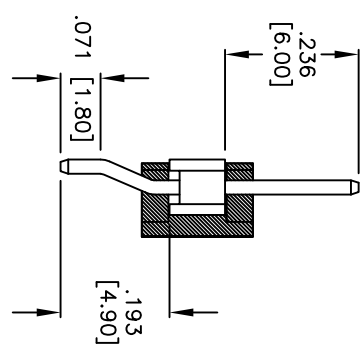
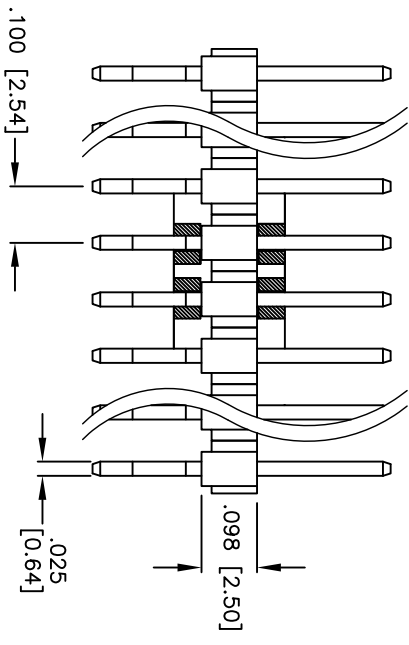


Rev	AWO #	Description	Date	Appr
-		RELEASED	7/22/10	

APPROVED: \_\_\_\_\_  
 DATE: \_\_\_\_\_ TITLE: \_\_\_\_\_



Recommended PCB Layout



A = .100" [2.54] x No. of Spaces + .086 [2.19]  
 B = .100" [2.54] x No. of Spaces

**SPECIFICATIONS:**

**Material:** Nylon 6T, rated UL 94V-0  
 color black

**Insulator:** Brass

**Contacts:** Tin over Copper underplate on tails.  
 Gold flash over Nickel underplate on contact area.

**Plating:** Tin over Copper underplate on tails.

**Electrical:** Operating voltage: 250 VAC max  
 Current rating: 3 Amps max

Contact resistance: 20 mohms max  
 Insulation resistance: 5000 Mohms min @ 500 VDC

Dielectric withstanding voltage: 1000 VAC min rms  
 Temperature Rating: Operating temperature: -55°C to +105°C

**Environmental:** Lead free, RoHS compliant.  
 Recommended soldering temp: 260°C for 5 sec.



UNLESS OTHERWISE SPECIFIED  
 ALL DIMENSIONS ARE INCHES [MM]  
 TOLERANCES: EXCEPT AS NOTED

INCHES	HOLES
.X ± .10	± .10
.XX ± .020	± .015
.XXX ± .015	± .010

APPROVALS: \_\_\_\_\_ DATE: \_\_\_\_\_

**ADAM TECH**  
 909 Railway Avenue, Union, NJ 07083  
 Phone: 908-687-5000 Fax: 908-687-5710

TITLE: PIN HEADER, SINGLE ROW, .100" PITCH  
 W/ CAP, SEL GOLD TAPE REEL

DRAWN	AY	7/22/10
CHECKED	AH	7/22/10
APPROVED		

SIZE	PART NO.	REV.
X	PH1RB-XX-SGA-SMT-PP-T/R	-
REF: 500039T	SCALE: NTS	SHEET 1 OF 1