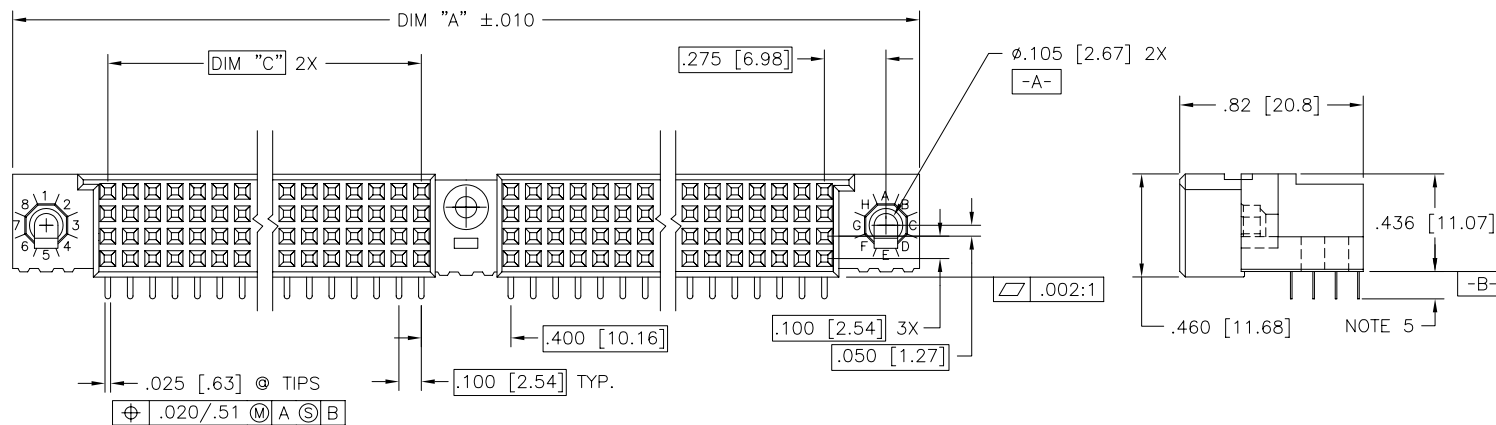
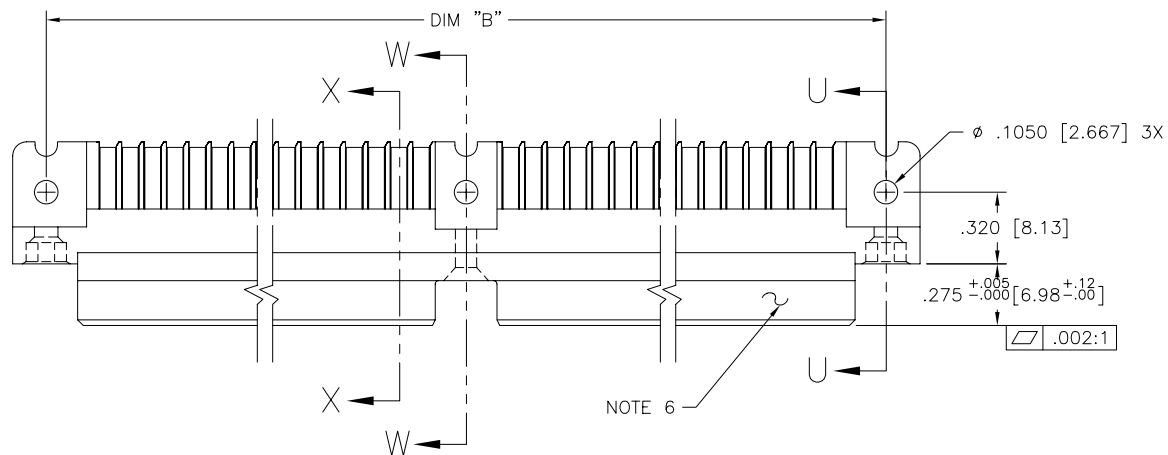


PRODUCT NUMBER

SEE NOTE 1



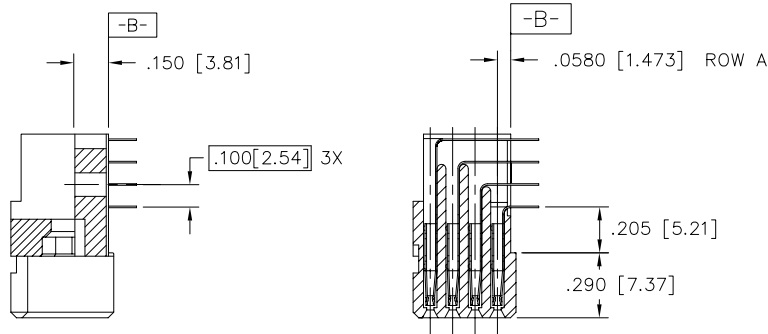
FCI  
FCIconnect.com

Copyright FCI

mat'l. code NOTE 3		surface ISO 1302 ✓		tolerance ISO 406 ISO 1101		projection INCH/MM		product family HPC	
tolerances unless otherwise specified		angles		linear		scale 1:1		title 4 ROW R/A RECEPTACLE 1 G.P., NO-RIB, GENERIC MNT.	
A	v40979	GAH	6/08/94	.xx	±.01/.3	FCI		dwg no 50827	
B	v50266	SAR	9/05/95	.xxx	±.005/.13	A3		sheet 1 of 2 size	
C	v00294	JWS	2/07/00	.xxxx	±.0020/.051	type		Product Customer Drawing	
D	v20646	MEM	5/24/02	dr	G. HULL	8/28/94			
E	M06-0261	AEA	7/11/06	enr	D. HORCHLER	6/08/94			
				chr	D. HORCHLER	7/28/94			
				appd	S. CLARK	8/05/94			
sheet index	revision sheet	E	E						
		1	2						

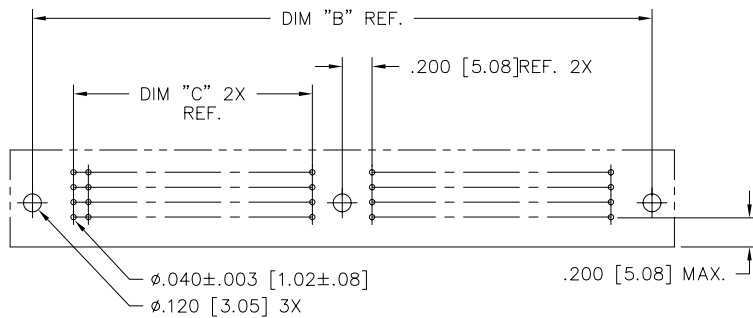
form: A3

PRODUCT NUMBER	DIM.	LENGTH FORMULAS
SEE NOTE 1	DIM A	.100/2.54 X NO. OF COLUMNS + 1.05/26.7
	DIM B	.100/2.54 X NO. OF COLUMNS + .750/19.05
	DIM C	.100/2.54 X NO. OF COLUMNS DIVIDED BY 2 - .100/2.54

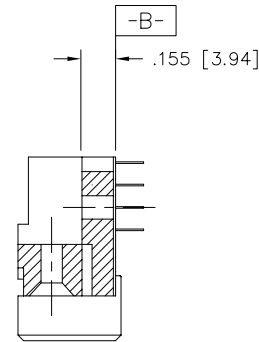


SECTION U-U

SECTION X-X



RECOMMENDED PCB LAYOUT  
(ALL HOLES LOCATED ON .100 [2.54] GRID  
UNLESS OTHERWISE SPECIFIED)



SECTION W-W

NOTES:

- PRODUCT NUMBERING CODE:  
50827 - X YYY Z  
TAIL LENGTH(NOTE 5)  
NO. OF POSITIONS(NOTE 2)  
PLATING(NOTE 4)  
BASE NUMBER
- THIS PRODUCT IS CONFIGURED IN SIZES OF 20 THRU 122 COLUMNS IN INCREMENTS OF TWO. i.e.: 20,22,24,26.....118,120,122.
- HOUSING MATERIAL: GLASS AND MINERAL FILLED HIGH TEMP. THERMOPLASTIC. FLAME RETARDANT PER UL94V-0. COLOR: BLACK. CONTACT MATERIAL: BeCu
- PLATING CONTACT AREA OPTIONS:  
1 = 30u"/.76u GOLD  
3 = 50u"/1.27u GOLD  
5 = 30u"/.76u GXT  
ALL SOLDER TAILS TIN/LEAD
- TAIL LENGTH OPTIONS:  
E = .125±.010 / 3.18±.25  
F = .145±.010 / 3.68±.25  
H = .180±.010 / 4.57±.25
- MANUFACTURE'S NAME, PART NUMBER AND LOT CODE TO APPEAR ON THIS SURFACE PER BUS-12-108.
- FOR DOCUMENTATION MENU, SEE SPEC. BUS-01-057.

mat'l. code		surface		tolerance		projection		product family	
-		ISO 1302 ✓		ISO 406		ISO 1101		HPC	
ltr		ecn		no		dr		date	
E									
angles		linear		.xx ±.01/.3		INCH/MM		title	
σ±2'				.xxx ±.005/.13		scale 1:1		4 ROW R/A RECEPTACLE	
dr		G. HULL		7/28/94		FCI		1 G.P., NO-RIB, GENERIC MNT.	
enr		D. HORCHLER		6/08/94				dwg no	
chr		D. HORCHLER		7/28/94				sheet 2 of 2 size	
appd		S. CLARK		8/05/94				50827 A3	
sheet		revision						type	
index		sheet						Product Customer Drawing	