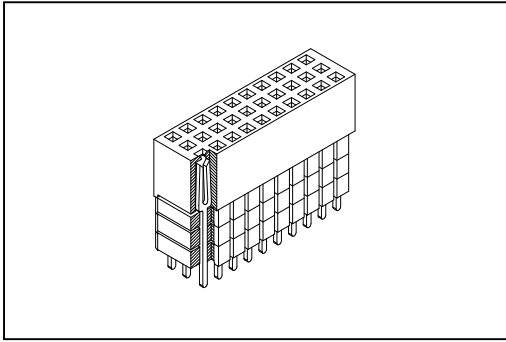


# 2047 Series

**Elevated P.C.B. Socket**  
**2.54mmX2.54mm(0.100"X0.100")**



## Material:

Housing: Thermoplastic Polyester Glass Filled UL94V-0.

Contacts: Copper Alloy.

## Electrical Characteristics:

Current Rating: 2 A.

Dielectric Withstanding Voltage: AC 1000V.

Insulator Resistance: 1000MΩ min.

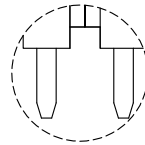
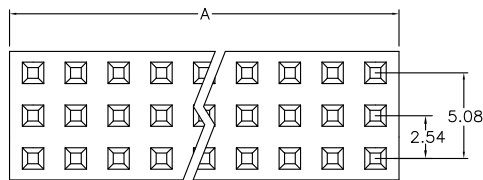
Contact Resistance: 20mΩ max.

Operating Temperature: -55°C~+105°C.

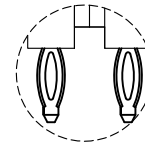
## Features:

- \* Wide range of board spacing choices.
- \* Triple row: 6pin through 120pin available.
- \* Tuning fork contacts offer lower cost for competitive market.
- \* Additional plating options available.

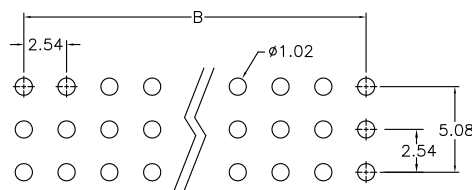
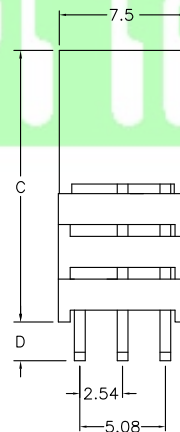
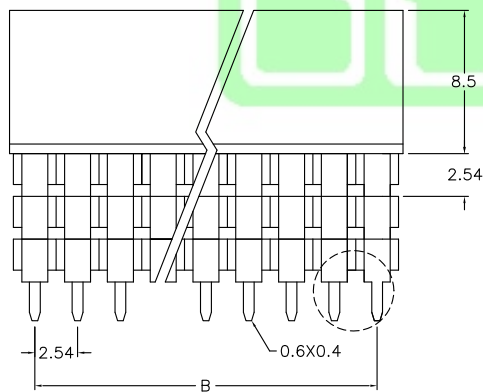
Mates with: 2011,2012



Dip Type



Press Fit Type



P.C. Board Layout

Position Dimension	6 Thru 120										
A	2.54 X No. of Positions /3+0.4										
B	2.54 X No. of Positions /3-2.54										
Code	1	2	3	4	5	6	7	8	9	10	11
C (Straight)	11.05	11.05	13.59	16.13	11.05	13.59	16.13	18.67	11.05	18.67	21.21
C (Press Fit)	11.05	13.59	16.13	18.67	11.05						
D (Straight)	2.50	7.35	4.85	2.30	12.20	9.65	7.10	4.60	3.50	3.00	2.06
D (Press Fit)	3.20	3.20	3.20	3.20	12.20						

## Ordering information

2047- 3 X 40 G 00 S P 1 U  
 Series Triple Row No. of Pin Per Row G: Gold Plated 00: G/F S: Straight Blank: Dip Type P: Press Fit Type Choices of Code U: Tube Package