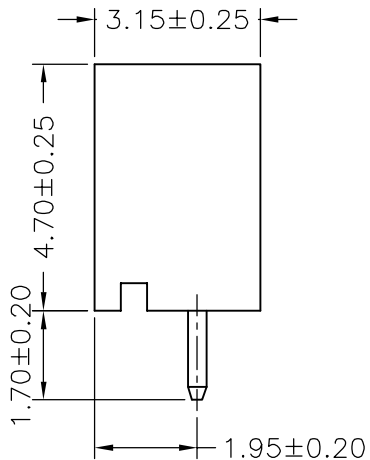
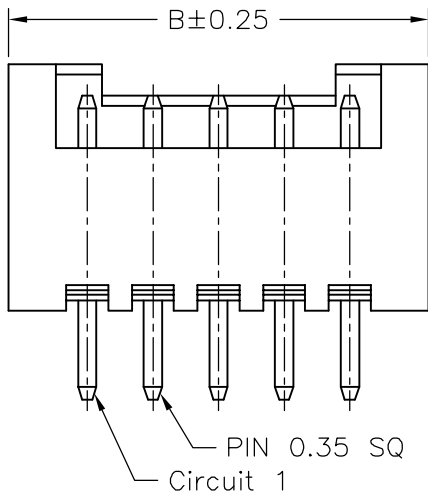
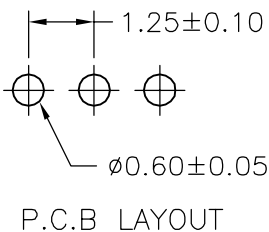
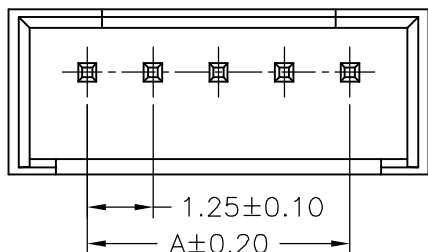


SPECIFICATIONS

Current Rating: 1A AC,DC
 Voltage Rating: 200V AC,DC
 Temperature Range: -25°C ~ +85°C
 Contact Resistance: 20mΩ Max.
 Insulation Resistance: 100MΩ Min.
 Withstanding Voltage: 500V AC/minute
 Pin Material: Brass/Tin-plated
 Material: Nylon 66,UL94V-0
 Pantone Color: 472C



Ordering Information & Dimensions

PART NO.	Dimensions	
	A	B
A1251WV-02P	1.25	4.25
A1251WV-03P	2.50	5.50
A1251WV-04P	3.75	6.75
A1251WV-05P	5.00	8.00
A1251WV-06P	6.25	9.25
A1251WV-07P	7.50	10.50
A1251WV-08P	8.75	11.75
A1251WV-09P	10.00	13.00
A1251WV-10P	11.25	14.25
A1251WV-11P	12.50	15.50
A1251WV-12P	13.75	16.75
A1251WV-13P	15.00	18.00
A1251WV-14P	16.25	19.25
A1251WV-15P	17.50	20.50

UNIT	SCALE	SHEET	TITLE:		
mm		1 of 1	1.25mm PITCH 180° WAFER		
DRAWN BY	APPROVED BY				
董正一 2001.02.01	董正一 2001.02.01				
			GENERAL TOLERANCE		
B1	REVISE	2007.12.20	X.X±0.25	ANGLE±	
B0	NEW RELEASE	2005.11.29	X.XX±0.15		
REV.	DESCRIPTION	DATE	X.XXX±0.05		
			DRAW NO.:	REV. B1	
			A1251WV-XP		