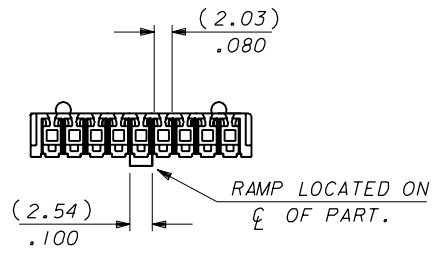
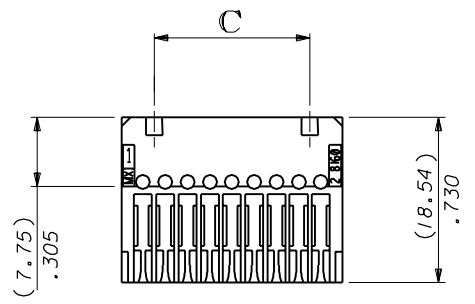
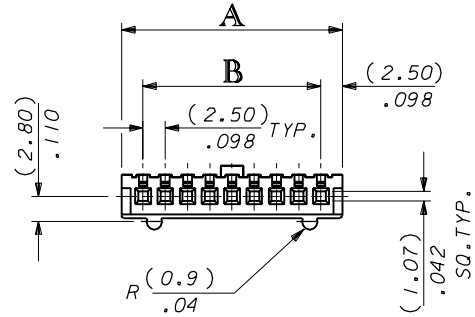
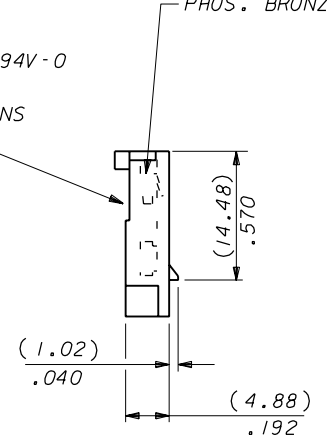


PART NO. SEE CHART
 DWG. NO. SDA-8160-NG *



HOUSING:
 POLYESTER RATED 94V-0
 TO SDES-128-*.
 FOR COLOUR OPTIONS
 SEE SHEET 2.

TERMINAL #
 (0.25)/.010 THICK
 PHOS. BRONZE



NOTES: -
 1. THIS CONNECTOR WILL ACCEPT INSULATION DIA. (1.09)/.043 - (1.52)/.060 & A.W.G.24 SOLID.
 2. FOR OTHER SPECS. SEE PS-8160.

FOR PREVIOUS
 DRAWING ISSUES
 SEE MRI.

SDS-128 ADDED ECN E00015 1.FEB.90 KC	REVISIONS	DIMENSIONS SHOWN (METRIC) INCH UNLESS OTHERWISE SPECIFIED TOLERANCES: ANGULAR ± 1/2°	DRWG BY DB
		INCH (METRIC)	CHK'D BY
		3 PLACE ± .010	APP'D BY
		2 PLACE ± .013 ± 0.25	SCALE
		1 PLACE ± 0.33	2:1
		DRAFT WHERE APPLICABLE MUST REMAIN WITHIN DIMENSIONS	
		DESIGN DIMENSION <input checked="" type="checkbox"/> (MM) (PRIMARY) <input type="checkbox"/> IN.	
		EQUIVALENT DIMENSION <input type="checkbox"/> (MM) (SECONDARY) <input checked="" type="checkbox"/> IN.	

REVISE ONLY ON CAD SYSTEM		SHL. REV.
CAD/CAM FILENAME SAB160GX1 DCN		THIS DRAWING CONTAINS INFORMATION THAT IS PROPRIETARY TO MOLEX INC. & SHOULD NOT BE USED WITHOUT WRITTEN PERMISSION
TITLE ASSEMBLY, I.D.CONNECTOR (2.50)/.098 CENTRES		
MOLEX EUROPE		SHEET NO. DATE 10F3 4/11/86
PART NO. SEE CHART	DWG NO. SDA-8160-NG *	SIZE B

10 9 8 7 6 5 4 3 2 1

PART NO. SEE CHART
 DWG. NO. SDA-8160-NC *

TERMINAL PLATING: HOT TIN/LEAD DIP 1.0-2.5um (.000040-.000100).

CCT.	HOUSING COLOUR: - BLACK		WHITE		RED		GREEN		YELLOW	
	ENG. No.	PART No.	ENG. No.	PART No.	ENG. No.	PART No.	ENG. No.	PART No.	ENG. No.	PART No.
2	A-8160-2GA	38-00-6112	A-8160-2G	38-00-6132	A-8160-2GR	38-00-6152	A-8160-2GG	38-00-6172	A-8160-2GY	38-00-7022
3	↑ 3GA	↑ 6113	↑ 3G	↑ 6133	↑ 3GR	↑ 6153	↑ 3GG	↑ 6173	↑ 3GY	↑ 7023
4	4GA	6114	4G	6134	4GR	6154	4GG	6174	4GY	7024
5	5GA	6115	5G	6135	5GR	6155	5GG	6175	5GY	7025
6	6GA	6116	6G	6136	6GR	6156	6GG	6176	6GY	7026
7	7GA	6117	7G	6137	7GR	6157	7GG	6177	7GY	7027
8	8GA	6118	8G	6138	8GR	6158	8GG	6178	8GY	7028
9	9GA	6119	9G	6139	9GR	6159	9GG	6179	9GY	7029
10	10GA	6120	10G	6140	10GR	6160	10GG	6180	10GY	7030
11	11GA	6121	11G	6141	11GR	6161	11GG	6181	11GY	7031
12	12GA	6122	12G	6142	12GR	6162	12GG	6182	12GY	7032
13	13GA	6123	13G	6143	13GR	6163	13GG	6183	13GY	7033
14	14GA	6124	14G	6144	14GR	6164	14GG	6184	14GY	7034
15	15GA	6125	15G	6145	15GR	6165	15GG	6185	15GY	7035
16	16GA	6126	16G	6146	16GR	6166	16GG	6186	16GY	7036
17	17GA	6127	17G	6147	17GR	6167	17GG	6187	17GY	7037
18	18GA	6128	18G	6148	18GR	6168	18GG	6188	18GY	7038
19	↓ 19GA	↓ 6129	↓ 19G	↓ 6149	↓ 19GR	↓ 6169	↓ 19GG	↓ 6189	↓ 19GY	↓ 7039
20	A-8160-20GA	38-00-6130	A-8160-20G	38-00-6150	A-8160-20GR	38-00-6170	A-8160-20GG	38-00-6190	A-8160-20GY	38-00-7040

FOR PREVIOUS DRAWING ISSUES SEE MRI.

E SEE SHEET 1.

L	TR	DIMENSIONS SHOWN (METRIC) INCH	
		UNLESS OTHERWISE SPECIFIED TOLERANCES: ANGULAR ± 1/2°	
R	E	INCH (METRIC)	
		3 PLACE ± .	
		2 PLACE ± .	±
DRAFT WHERE APPLICABLE MUST REMAIN WITHIN DIMENSIONS			
DESIGN DIMENSION (PRIMARY)		<input type="checkbox"/> (MM)	<input type="checkbox"/> IN.
EQUIVALENT DIMENSION (SECONDARY)		<input type="checkbox"/> (MM)	<input type="checkbox"/> IN.

DRWG BY DB
 CHK'D BY
 APP'D BY
 SCALE

REVISE ONLY ON CAD SYSTEM		SH.	REV.
CAD/CAM FILENAME SAB160GX2 DCN	THIS DRAWING CONTAINS INFORMATION THAT IS PROPRIETARY TO MOLEX INC. & SHOULD NOT BE USED WITHOUT WRITTEN PERMISSION		
TITLE ASSEMBLY, I.D. CONNECTOR (2.50)/.098 CENTRES			
MOLEX EUROPE		SHEET NO. 2 OF	DATE 4/11/86
PART NO. SEE CHART	DWG. NO. SDA-8160-NC *	SIZE B	

10 9 8 7 6 5 4 3 2 1