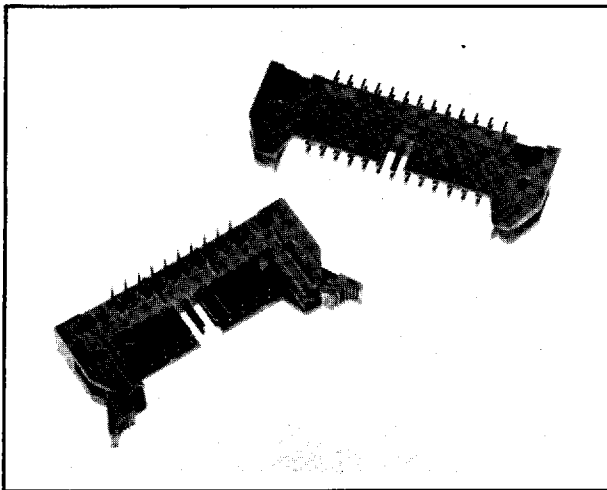


DESCRIPTION

Headers provide a positive and reliable method of connecting IDC sockets to PCB's with effective polarization and a reasonable degree of pin protection.

FEATURES

- ★ U.L. Recognized
- ★ 3 walled construction
- ★ Built in polarizing keys
- ★ Horizontal and vertical mounting
- ★ 2 optional lock/ejectors
- ★ 3 pin lengths for .062", .093", .125"
- ★ Wire wrap tails available
- ★ Selectively plated
- ★ Choice of gold thickness
- ★ Tin/lead plated solder tails
- ★ Center slot accepts center key polarizing



DIMENSIONS

No. of Pins	A	B	C	D	E
10	1.26" (32.00)	0.858" (21.79)	0.709" (18.00)	0.400" (10.16)	1.098" (27.90)
14	1.46" (37.08)	1.058" (26.87)	0.909" (23.08)	0.600" (15.24)	1.298" (32.97)
16	1.56" (39.62)	1.158" (29.41)	1.009" (25.62)	0.700" (17.78)	1.398" (35.50)
20	1.76" (44.70)	1.358" (34.50)	1.209" (30.70)	0.900" (22.86)	1.598" (40.60)
26	2.06" (52.32)	1.658" (42.10)	1.509" (38.32)	1.200" (30.48)	1.902" (48.30)
34	2.46" (62.48)	2.058" (52.27)	1.909" (48.48)	1.600" (40.64)	2.298" (58.40)
40	2.76" (70.10)	2.358" (59.90)	2.209" (56.10)	1.900" (48.26)	2.598" (66.00)
50	3.26" (82.80)	2.858" (72.60)	2.709" (68.80)	2.400" (60.96)	3.098" (78.70)
60	3.76" (95.50)	3.358" (85.30)	3.209" (81.50)	2.900" (73.66)	3.598" (91.40)

DIMENSIONS IN INCHES (MM)

SPECIFICATIONS

- Contact Rating 1 Amp
- Contact Resistance 6 Milliohms Typical
- Dielectric Strength 500V AC RMS
- Insulation Resistance 5000 Megohms Min.
- Operating Temperature .. -55°C to + 105°C
- Insulation Material Glass-filled Polyester
Rated UL 94V-0
- Contact Material Phosphor Bronze

ORDERING CODE - 3 WALL

Series _____

- 4121 - No latches
- 4122 - Short latches
- 4123 - Long latches

Number of Pins _____

10, 14, 16, 20, 26, 34, 40, 50, 60

Pin Configuration _____

- 01 - Straight for 0.062" (1.60) thick PCB
- 02 - Right Angled for 0.062" (1.60) thick PCB
- 03 - Straight for 0.093" (2.40) thick PCB
- 04 - Right Angled for 0.093" (2.40) thick PCB
- 05 - Straight for 0.125" (3.20) thick PCB
- 06 - Right Angled for 0.125" (3.20) thick PCB
- 07 - Straight for 3 level wrap
- 08 - Right Angled for 3 level wire wrap

Plating Code _____

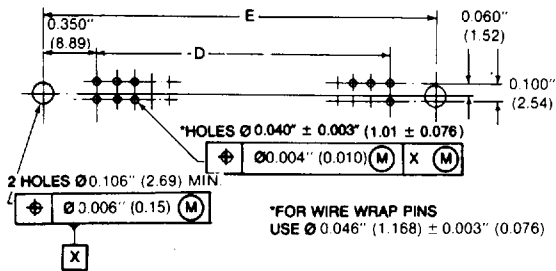
- P3 - Gold flash over Nickel with Tin Lead tails
- P5 - 0.000030" Gold selectively plated in contact area with Tin Lead on remainder, all over Nickel

For other plating options please consult factory

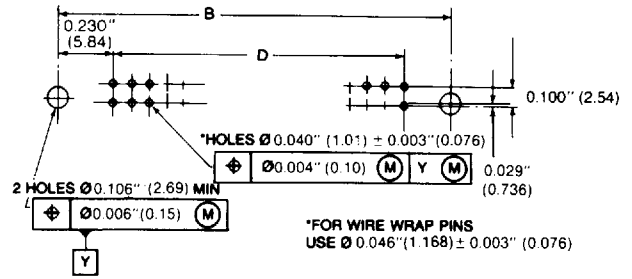
See page 29
for detailed drawings.

Recommended P.C.B. Hole Pattern (viewed from component side)

Straight Headers

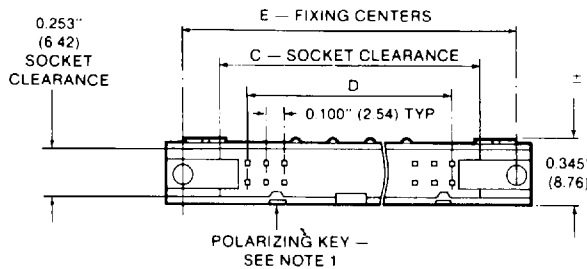


Right Angle Headers

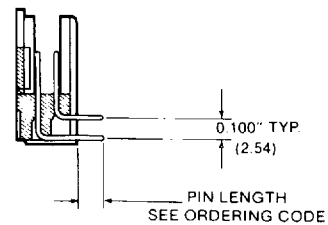
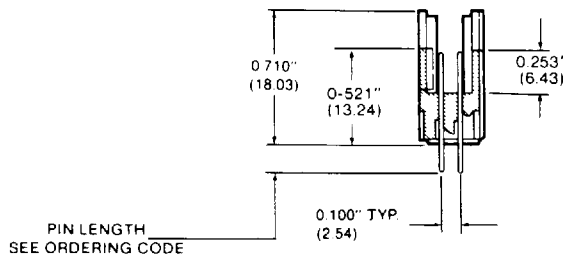
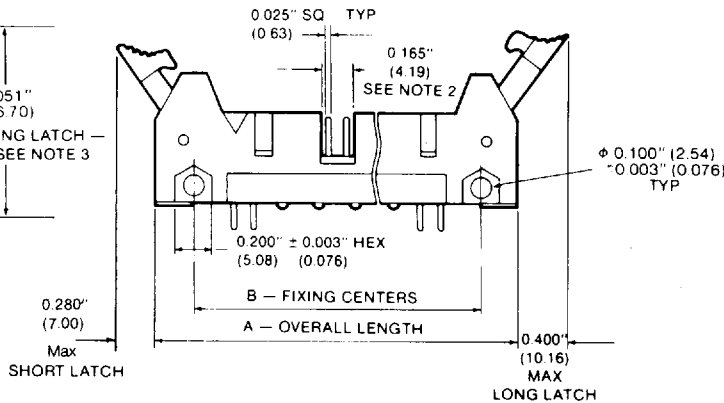
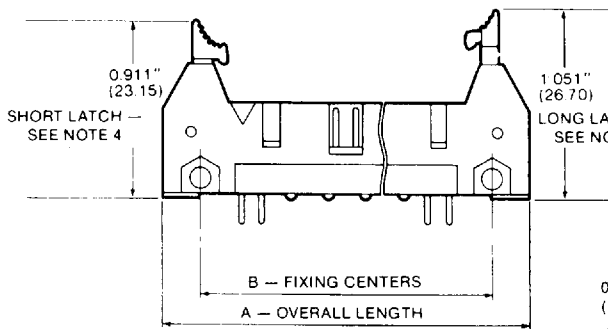
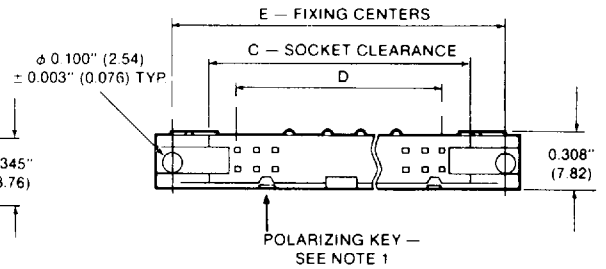


DIMENSIONS

4 WALL



3 WALL



NOTES

1. This polarizing key does not appear on 10 and 14 size headers.
2. Single slot appears on sizes 10 through 40. Triple slots appear on sizes 50 and 60.
3. Long latches are used when mating socket has strain relief.
4. Short latches are used when mating socket has no strain relief.

See pages 27 and 28 for more information.