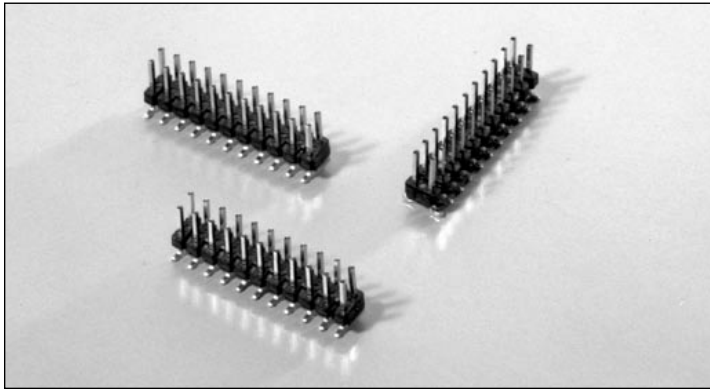


# .100" (2.54mm) Dual Row, Surface Mount, Vertical Header



## 9100 SERIES ("POST/BOXE")

PART NUMBER LEGEND

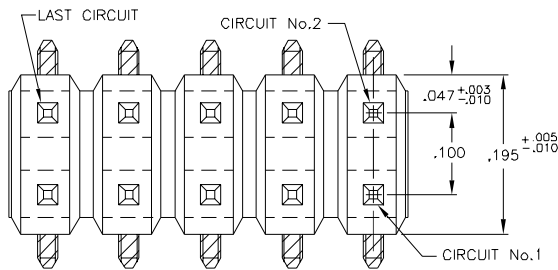
**910X-21-2XX-XX**

**PIN NUMBER**  
(SEE TABLE 2)

**NUMBER OF POSITIONS PER ROW**  
(SEE TABLE 1)

**PIN FINISH PLATING**  
(SEE NOTE 2)

**MATING CONNECTORS: 9000 SERIES**



**NOTES:**

1. INSULATOR MATERIAL: POLYESTER (PET), 30% G/R, UL 94V-0.

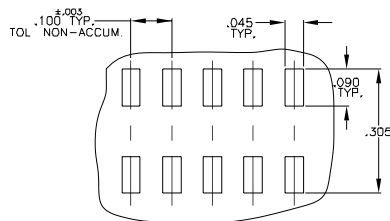
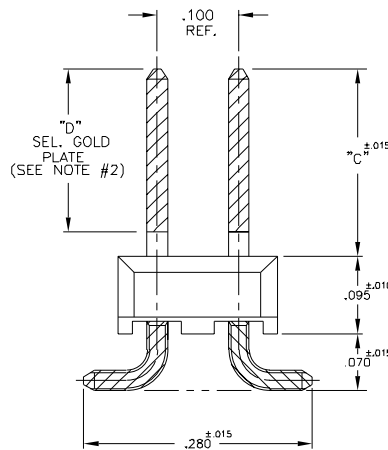
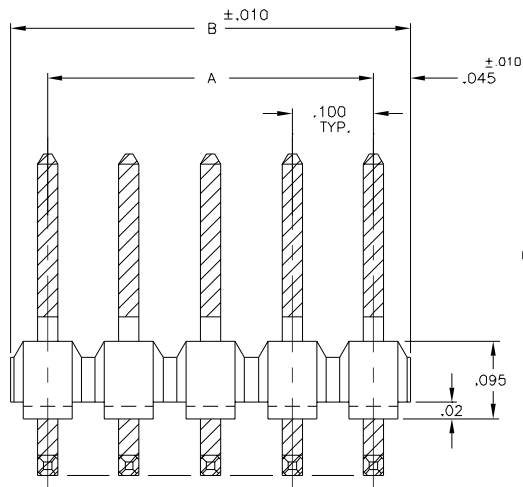
2. PIN MATERIAL: PHOSPHOR BRONZE.

3. PIN FINISH:

9100 - BRIGHT TIN OVER NICKEL PLATE.

910B - .000050/.000150 NICKEL PLATE ALL OVER; .000030 SEL. GOLD PLATE AS INDICATED; .0001-.0002 SEL. 90/10 TIN/LEAD ON SOLDER TAIL AS INDICATED.

910E - .000050/.000150 NICKEL PLATE ALL OVER; .000015 SEL. GOLD PLATE AS INDICATED; .0001-.0002 SEL. 90/10 TIN/LEAD ON SOLDER TAIL AS INDICATED.



RECOMMENDED P.C. BOARD LAYOUT  
SCALE:4/1

| PART NUMBER    | DIM. "C" | DIM. "D" |
|----------------|----------|----------|
| 910X-21-2XX-01 | .230     | .160     |
| -02            | .320     | .200     |
| -03            | .405     | .200     |

| PART NUMBER    | No. OF CIRCUITS | DIM. A | DIM. B |
|----------------|-----------------|--------|--------|
| 910X-21-202-XX | 4               | .100   | .19    |
| -203-          | 6               | .200   | .29    |
| -204-          | 8               | .300   | .39    |
| -205-          | 10              | .400   | .49    |
| -206-          | 12              | .500   | .59    |
| -207-          | 14              | .600   | .69    |
| -208-          | 16              | .700   | .79    |
| -209-          | 18              | .800   | .89    |
| -210-          | 20              | .900   | .99    |
| -211-          | 22              | 1.000  | 1.09   |
| -212-          | 24              | 1.100  | 1.19   |
| -213-          | 26              | 1.200  | 1.29   |
| -214-          | 28              | 1.300  | 1.39   |
| -215-          | 30              | 1.400  | 1.49   |
| -216-          | 32              | 1.500  | 1.59   |
| -217-          | 34              | 1.600  | 1.69   |
| -218-          | 36              | 1.700  | 1.79   |
| -219-          | 38              | 1.800  | 1.89   |
| -220-          | 40              | 1.900  | 1.99   |
| -221-          | 42              | 2.000  | 2.09   |
| -222-          | 44              | 2.100  | 2.19   |
| -223-          | 46              | 2.200  | 2.29   |
| -224-          | 48              | 2.300  | 2.39   |
| -225-          | 50              | 2.400  | 2.49   |
| -226-          | 52              | 2.500  | 2.59   |
| -227-          | 54              | 2.600  | 2.69   |
| -228-          | 56              | 2.700  | 2.79   |
| -229-          | 58              | 2.800  | 2.89   |
| -230-          | 60              | 2.900  | 2.99   |
| -231-          | 62              | 3.000  | 3.09   |
| -232-          | 64              | 3.100  | 3.19   |
| -233-          | 66              | 3.200  | 3.29   |
| -234-          | 68              | 3.300  | 3.39   |
| -235-          | 70              | 3.400  | 3.49   |
| -236-          | 72              | 3.500  | 3.59   |
| -237-          | 74              | 3.600  | 3.69   |
| -238-          | 76              | 3.700  | 3.79   |
| -239-          | 78              | 3.800  | 3.89   |
| 910X-21-240-XX | 80              | 3.900  | 3.99   |



North and South America:

Methode Electronics, Inc. Connector Products

1700 Hicks Road • Rolling Meadows, IL 60008 USA

847-392-3500 • Toll Free: 800-323-6864 • Fax: 847-392-9404

Email: info@methode.com • Web: www.methode.com/connector/index.html

Europe:

Methode Electronics Ireland, Ltd.

Unit H, Crossagalla Business Park, Ballysimon Rd. • Limerick, Ireland

+353 (0) 61 401222 • Fax: +353 (0) 61 401942

Email: info@methode.ie • Web: ireland.methode.com/main.html

Far East:

Methode Electronics Far East, Pte. Ltd.

1 Tuas Lane, Jurong Town • Singapore 638610

65-68615444 • Fax: 65-68614777

Email: sales@methode.com.sg • Web: www.methode.com/mefe/index.html