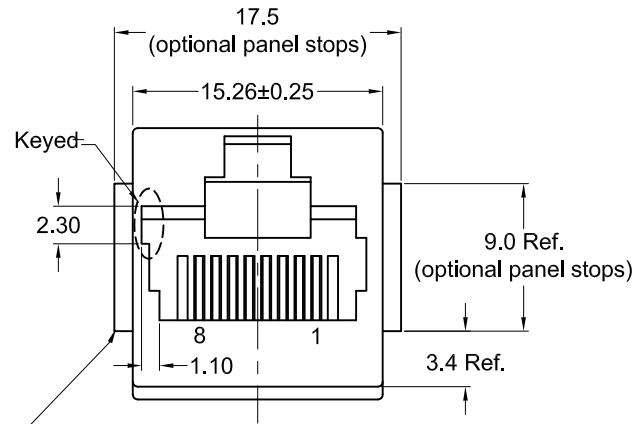
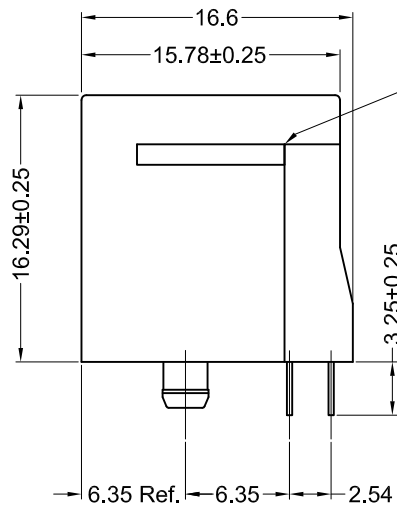
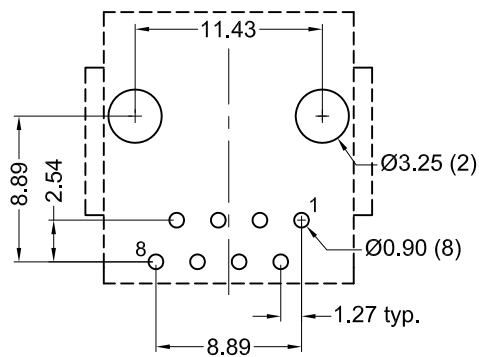
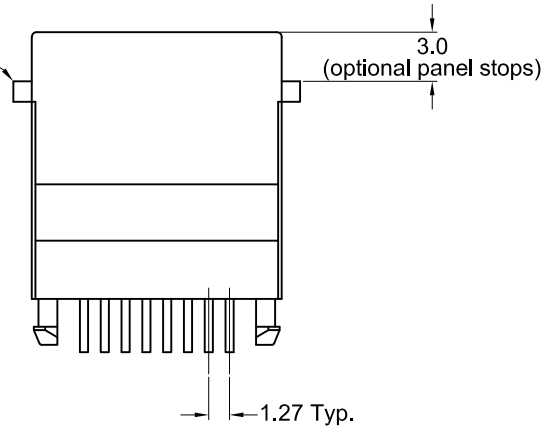


**Recommended PCB Layout
(Top View)**



optional panel stops



Materials and Finish

Housing: PBT Thermoplastic
UL 94V-0 Rated
Color: Black

Contact Material:
Phosphor Bronze

Plating Options:
Standard: Nickel Underplating,
Gold Flash Plating on Contact Area,
Tin Plated on Solder Area

50 Option: Nickel Underplating,
Contact Area Plated with 50u" Gold
to Comply with ANSI/TIA-1096-A,
Tin Plated on Solder Area

Electrical Characteristics

Rated Current: 1.5A
Rated Voltage: 125V DC
Insulation Resistance:
500 Megohms Min.
Contact Resistance:
20 milliohms Max.
Dielectric Withstanding Voltage:
1000V AC for 1 Minute

Mechanical Characteristics

Durability Rating:
500 Mating Cycles Min.
Operating Temperature:
-40°C to +85°C

Ordering Information

Part Number	Panel Stops	Contact Area Plating
GDCX-PA-88K	Yes	Gold Flash (standard)
GDCX-PN-88K	No	
GDCX-PA-88K-50	Yes	50u" Gold (-50 option)
GDCX-PN-88K-50	No	

Tolerances
X.X ± 0.35
X.XX ± 0.25
Unless Stated Otherwise



REV.	DATE	DESCRIPTION	REV. BY	CHK. BY	DRAWN BY	DATE
A2	05/12/10	ECO #10-025	S. Vien	H. MA	R. Aguirre	05/12/05
A3	10/15/10	ECO #10-075	S. Vien	H. MA		
A4	09/04/12	ECO #12-049	S. Vien	P. DalCanto		
A5	03/27/15	ECO #15-001	H. MA	C. Furumasa		
A6	01/14/16	ECO #16-001	H. MA	W. Cook	UNITS	mm
A7	07/01/19	ECO #19-054	H. MA	D. Shehan		

GDCX-Px-88K

x = A for panel stops
x = N for no panel stops

Vertical, Thru-Hole PCB Mount, RoHS Compliant

Mod Jack, Keyed, 8P8C, Closed Body Type

