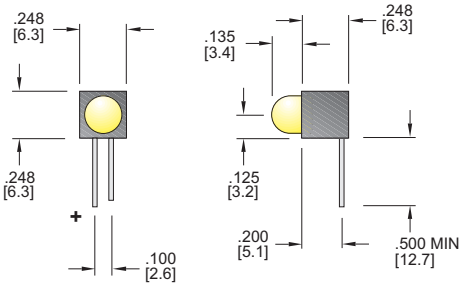
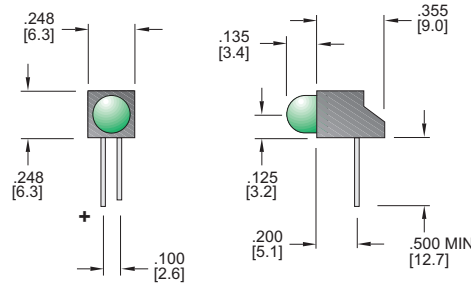


SINGLE LEVEL T1^{3/4} (5mm) LEDs

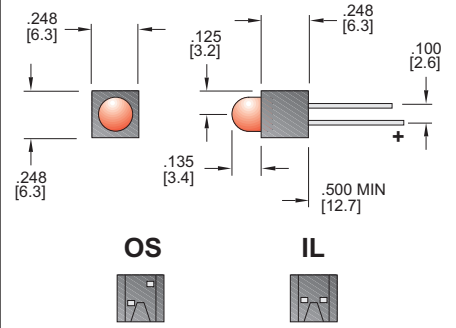
PC190



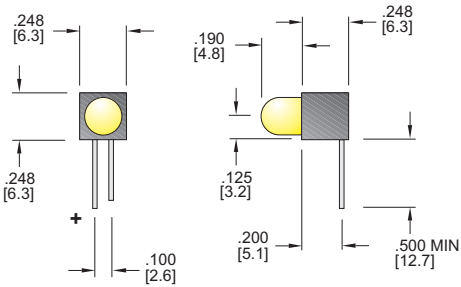
PCT190



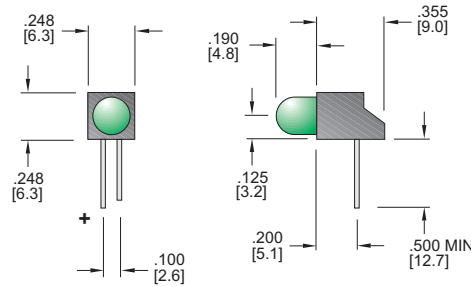
PCV190



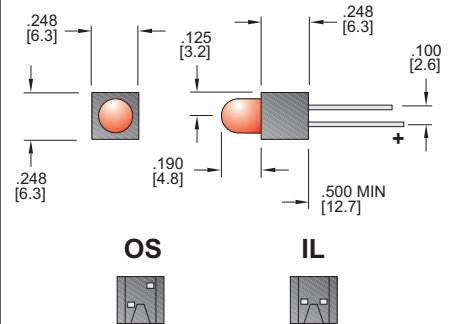
PC200



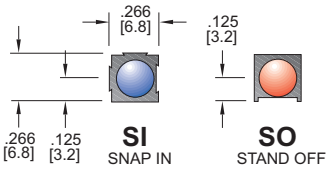
PCT200



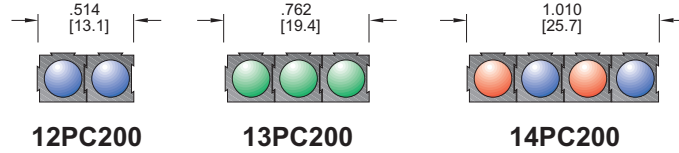
PCV200



Options

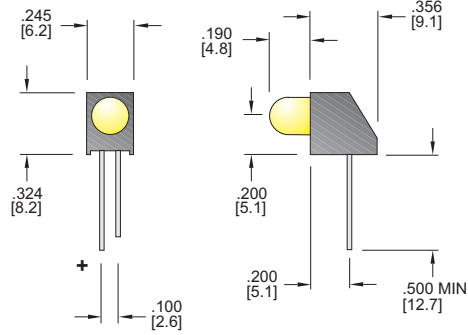


Arrays

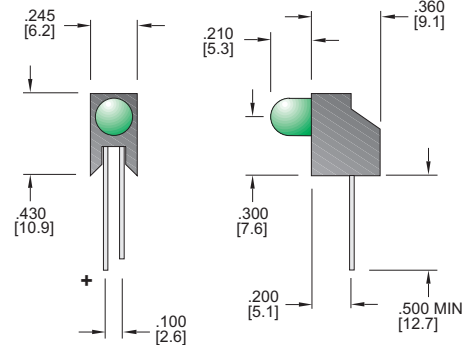


ALSO AVAILABLE FOR PCT200, PCV200, PC190, PCT190, PCV190

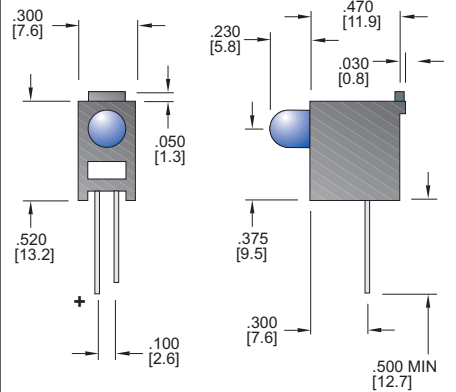
PCT220



PCT230



PCT240



CODE	COLOR	mA	Vf	Iv mcd
R	RED	20/30	2.0/2.8	12/38
Y	YELLOW	20/30	2.1/2.8	8/25
G	GREEN	20/30	2.2/2.8	8/25
B	BLUE	20/30	3.2/3.7	4/8

SPECIALS

- ALL "Vf" READINGS ARE TYP/MAX
- ALL "mcd" READINGS ARE MIN/TYP
- 5V = 5 VOLT INTEGRATED RESISTOR
- LC = LOW CURRENT 2mA LEDs
- X = DENOTES BLANK LED SPACE
- CONSULT FACTORY ON PART NUMBERS FOR ARRAYS WITH NONCONSECUTIVE COLORS

SAMPLE PART NUMBER:

PCT200TX4

LED COLOR