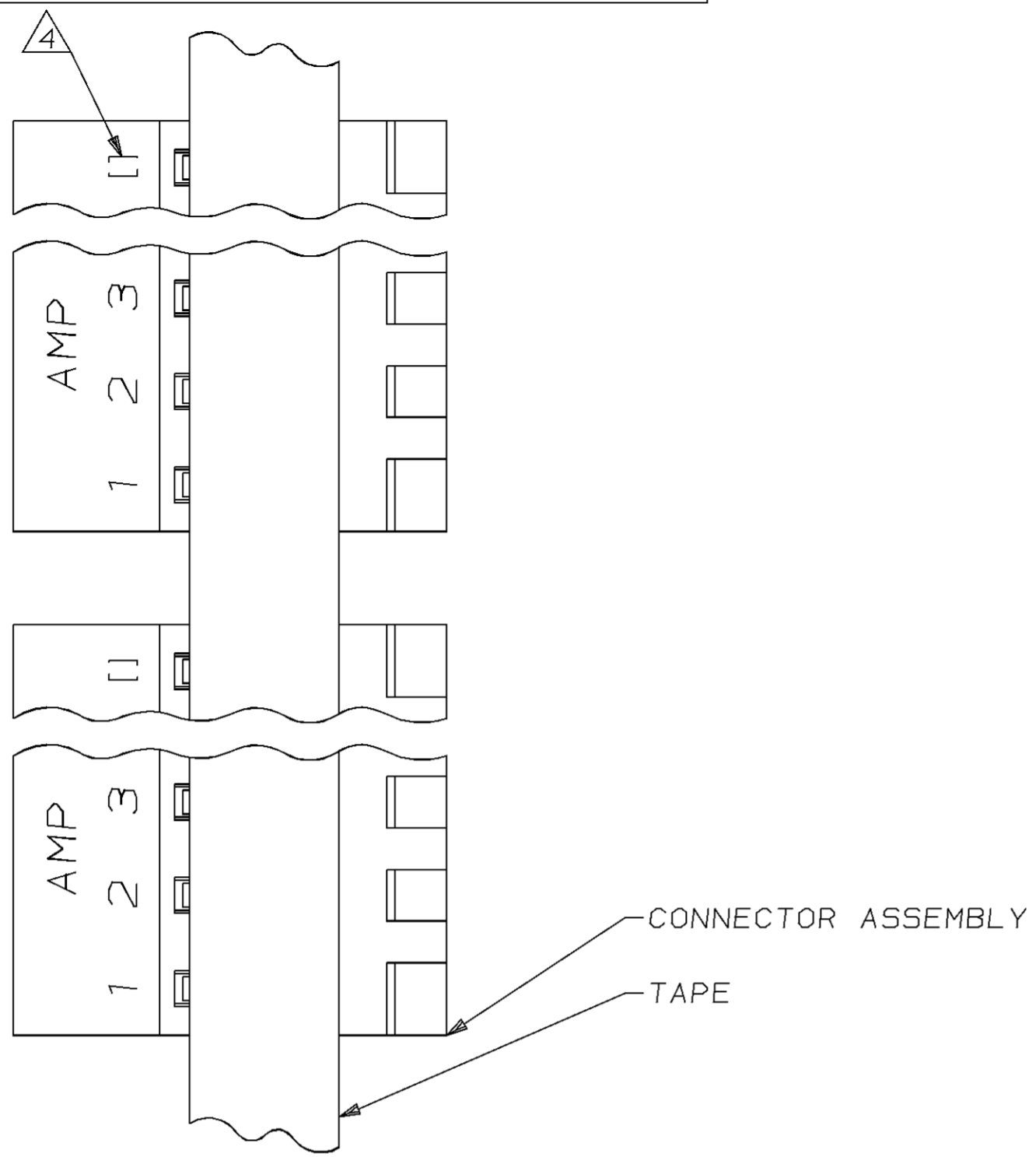
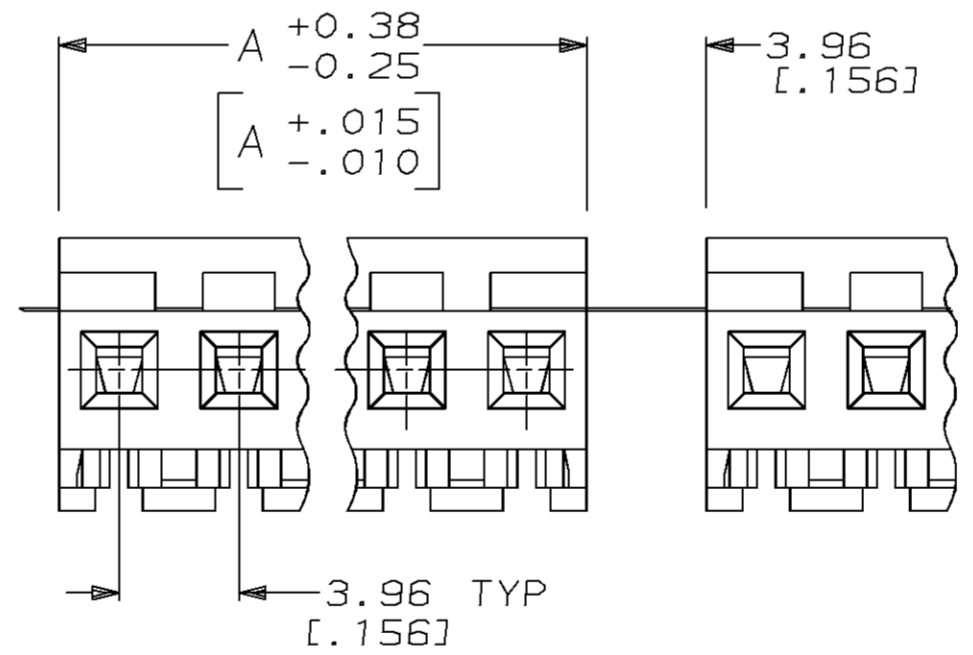
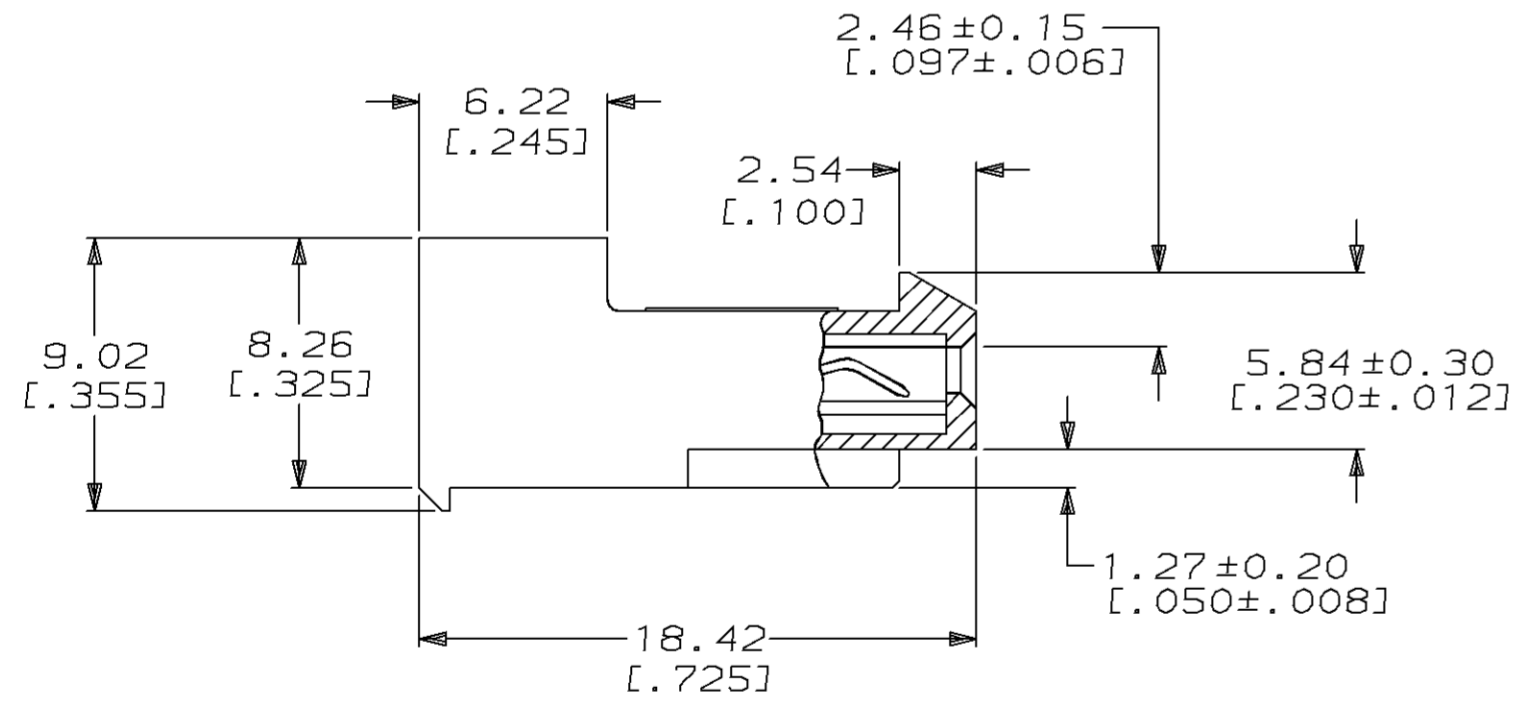


THIS DRAWING IS UNPUBLISHED. RELEASED FOR PUBLICATION, 19 .
 © COPYRIGHT 19 BY AMP INCORPORATED. ALL INTERNATIONAL RIGHTS RESERVED.

LOC	DIST	P	F	ZONE	LTR	REVISIONS	DATE	APPD
CM	54				L	REACT -2 THRU -24 & REV PER EC 0730-0243-95	5-02-96	BL RS



- 1 MATERIAL: CONNECTOR - NYLON UL94V-2 (BLUE).
CONTACTS - 0.30 [.012] THICK COPPER ALLOY
(BRIGHT-TIN 0.00203
[.000080] MIN THK)
- 2. CONTACTS ACCEPT 26 AWG WIRE WITH 2.41 [.095] MAX
INSULATION DIAMETER.
- 3. CONTACTS MUST ACCEPT 1.14±0.03 [.045±.001] SQUARE
POST AND REMAIN LOCKED IN POSITION.
- 4 IDENTIFICATION NUMBER FOR LAST CIRCUIT MAY
NOT APPEAR ON ALL ASSEMBLIES.
- 5. DIMENSIONS IN BRACKETS ARE IN INCHES.
- 6. HOUSING FEATURES ARE: CLOSED END WITH LOCKING
RAMP.



DIM A	NO. OF CIRCUITS	PART NO
95.10 [3.744]	24	2-640476-4
91.13 [3.588]	23	2-640476-3
87.17 [3.432]	22	2-640476-2
83.21 [3.276]	21	2-640476-1
79.25 [3.120]	20	2-640476-0
75.29 [2.964]	19	1-640476-9
71.32 [2.808]	18	1-640476-8
67.36 [2.652]	17	1-640476-7
63.40 [2.496]	16	1-640476-6
59.44 [2.340]	15	1-640476-5
55.47 [2.184]	14	1-640476-4
51.51 [2.028]	13	1-640476-3
47.55 [1.872]	12	1-640476-2
43.59 [1.716]	11	1-640476-1
39.62 [1.560]	10	1-640476-0
35.66 [1.404]	9	640476-9
31.70 [1.248]	8	640476-8
27.74 [1.092]	7	640476-7
23.77 [.936]	6	640476-6
19.81 [.780]	5	640476-5
15.85 [.624]	4	640476-4
11.89 [.468]	3	640476-3
7.92 [.312]	2	640476-2

DO NOT SCALE PRINT. UNLESS SPECIFIED DIMENSIONS IN mm [INCHES] TOLERANCES ON : 2 PLC DEC ± - 3 PLC DEC ± 0.13 [.005] ANGLES ± -	DR B. LEWIS 5-02-96	AMP Incorporated Harrisburg, PA 17105-3608
	CHK R. SWING 5-02-96	
MATERIAL 1	APPD D.R. CLARK 5-02-96	NAME MTA-156 CONNECTOR ASSEMBLY, 26 AWG, STANDARD TAPE MOUNTED
	APPD 5-02-96 D.R. CLARK	
FINISH 1	PRODUCT SPEC 108-1051	SIZE C 00779
	APPLICATION SPEC 114-1020	DRAWING NO 640476
	WEIGHT -	SCALE 4:1
		SHEET 1 OF 1

METRIC