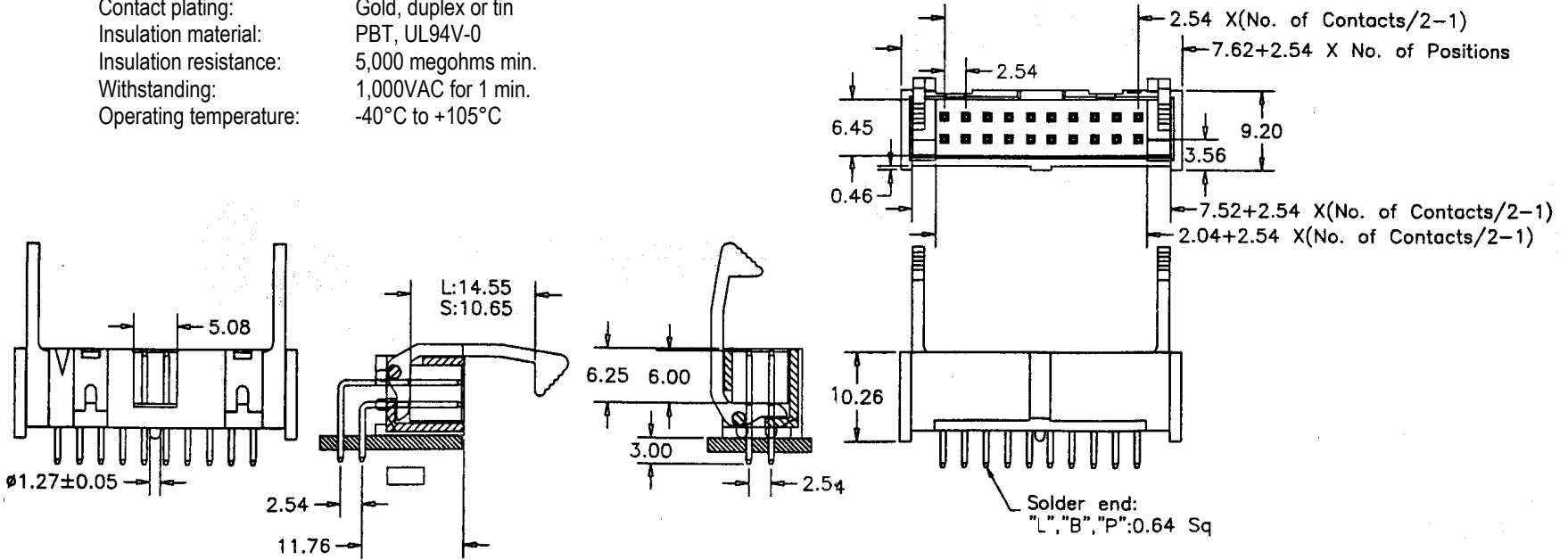


**SPECIFICATIONS**

Current rating: 3 amps  
 Contact material: Copper alloy  
 Contact plating: Gold, duplex or tin  
 Insulation material: PBT, UL94V-0  
 Insulation resistance: 5,000 megohms min.  
 Withstanding: 1,000VAC for 1 min.  
 Operating temperature: -40°C to +105°C



Series	Positions	Style	Plating	Options
BHD	XX	XX	XX	
Box header	6, 8, 10, 12, 14, 16, 20, 24, 26, 30, 34, 36, 40, 44, 50, 56, 60, 64	RA=Right angle ST=Straight	GD=Gold SG=Duplex TN=Tin	SLC=Short latch clip LLC=Long latch clip

RoHS compliant

Rev.	Description	Date	Approved	Drawing	Name	Date
				Approved	Howard	08/10/99
				Checked	Lizzy	08/10/99
				Drawn	Tina	08/10/99
				0.0 ± 0.35	0.00 ± 0.20	Angles ± 3'
				UNIT: mm		

**Central Components Manufacturing**  
 440 Lincoln Blvd., Middlesex, New Jersey 08846  
 Phone 732 469-5720 888 288-5152 Fax 732 469-1919

Part No.: **BHD-XX-XX-XX-XLC**

Description: Box header with side latch clips