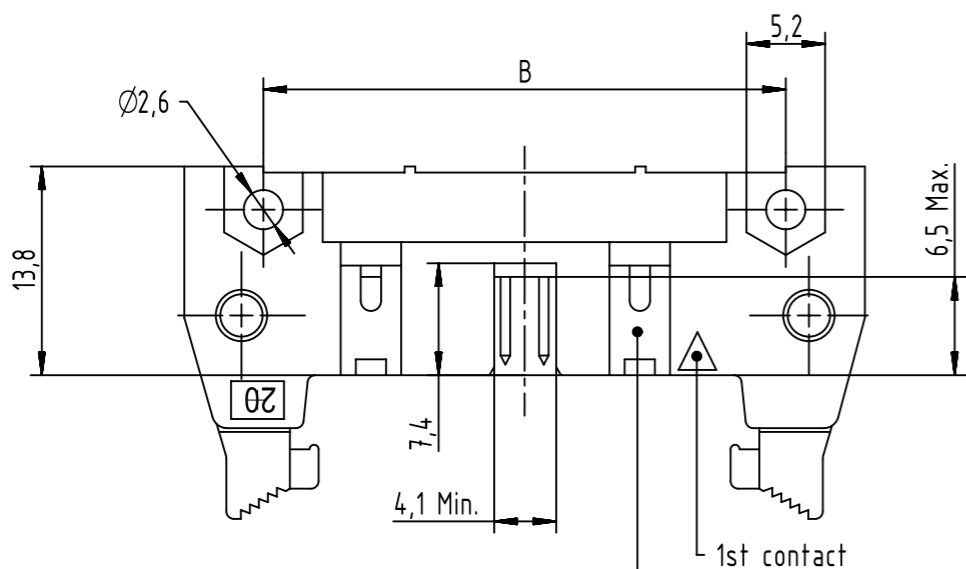
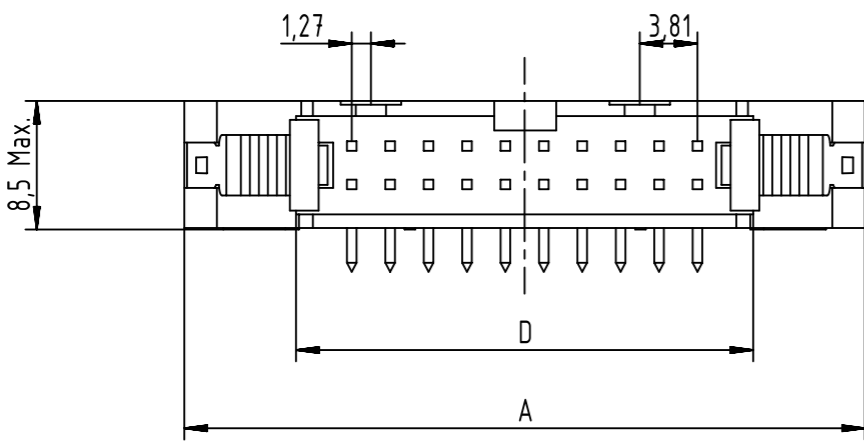
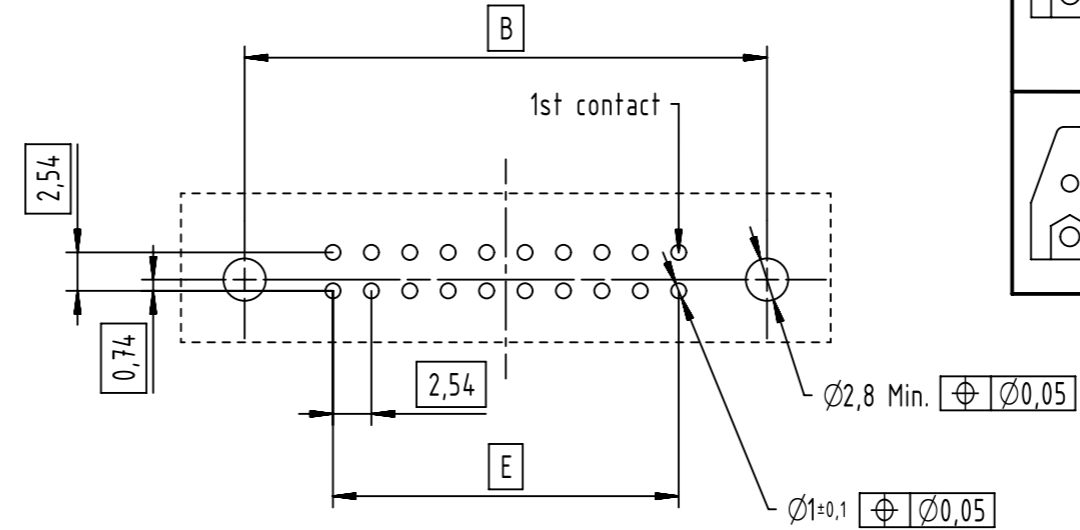


Coding style table	
	Style A: For connectors 6 poles
	Style B: For connectors from 10 to 14 poles
	Style C: For connectors from 16 to 64 poles

PC-Board layout  
view component side  
thickness 1,6 mm



See tables for coding  
feature arrangement and style

-Technical information available on a separate document ref: DS 09191130201  
-Full range of P/N's and dimensions shown on page 2/2

	All Dimensions in mm Original Size DIN A3	Scale 2:1	Free size tol.	Ref.
	All rights reserved Department EC PD - FR	Created by DOUGE	Inspected by BAGDIKIAN	Standardisation HOFFMANN
HARTING Electronics GmbH D-32339 Espelkamp	Title SEK 19 male STD angled with short levers			Doc-Key / ECM-Nr. 100566964/UGD/001/A 50000068837
	Type TB	Number 09195XXX913	Rev. A	Page 1/2
		Date 2014-05-16	State Final Release	

A  
B  
C  
D  
E  
F

Nb of Contacts	Performance Level			Insulator Color	Dimensions				
	PL3	PL2	S4		A Max	B	D	E	F
06	0919 506 7913	0919 506 6913	0919 506 5913	Beige	27,2	16,76	12,45	2,54 x 2 = 5,08	36,9
10	0919 510 7913	0919 510 6913	0919 510 5913		32,3	21,84	17,53	2,54 x 4 = 10,16	42,0
14	0919 514 7913	0919 514 6913	0919 514 5913		37,4	26,92	22,61	2,54 x 6 = 15,24	47,1
16	0919 516 7913	0919 516 6913	0919 516 5913		39,9	29,46	25,15	2,54 x 7 = 17,78	49,6
20	0919 520 7913	0919 520 6913	0919 520 5913		45,0	34,54	30,23	2,54 x 9 = 22,86	54,7
24	0919 524 7913	0919 524 6913	0919 524 5913		50,1	39,62	35,91	2,54 x 11 = 27,94	59,8
26	0919 526 7913	0919 526 6913	0919 526 5913		52,6	42,16	37,85	2,54 x 12 = 30,48	62,3
30	0919 530 7913	0919 530 6913	0919 530 5913		58,0	47,24	43,83	2,54 x 14 = 35,56	68,2
34	0919 534 7913	0919 534 6913	0919 534 5913		62,8	52,32	48,01	2,54 x 16 = 40,64	72,5
40	0919 540 7913	0919 540 6913	0919 540 5913		70,4	59,94	55,63	2,54 x 19 = 48,26	80,1
50	0919 550 7913	0919 550 6913	0919 550 5913		83,1	72,64	68,33	2,54 x 24 = 60,96	92,8
60	0919 560 7913	0919 560 6913	0919 560 5913		95,8	85,34	81,03	2,54 x 29 = 73,66	105,5
64	0919 564 7913	0919 564 6913	0919 564 5913		100,9	90,42	86,11	2,54 x 31 = 78,74	110,6
06	0919 506 7913 001	0919 506 6913 001	0919 506 5913 001		Black	27,2	16,76	12,45	2,54 x 2 = 5,08
10	0919 510 7913 001	0919 510 6913 001	0919 510 5913 001	32,3		21,84	17,53	2,54 x 4 = 10,16	42,0
14	0919 514 7913 001	0919 514 6913 001	0919 514 5913 001	37,4		26,92	22,61	2,54 x 6 = 15,24	47,1
16	0919 516 7913 001	0919 516 6913 001	0919 516 5913 001	39,9		29,46	25,15	2,54 x 7 = 17,78	49,6
20	0919 520 7913 001	0919 520 6913 001	0919 520 5913 001	45,0		34,54	30,23	2,54 x 9 = 22,86	54,7
24	0919 524 7913 001	0919 524 6913 001	0919 524 5913 001	50,1		39,62	35,91	2,54 x 11 = 27,94	59,8
26	0919 526 7913 001	0919 526 6913 001	0919 526 5913 001	52,6		42,16	37,85	2,54 x 12 = 30,48	62,3
30	0919 530 7913 001	0919 530 6913 001	0919 530 5913 001	58,0		47,24	43,83	2,54 x 14 = 35,56	68,2
34	0919 534 7913 001	0919 534 6913 001	0919 534 5913 001	62,8		52,32	48,01	2,54 x 16 = 40,64	72,5
40	0919 540 7913 001	0919 540 6913 001	0919 540 5913 001	70,4		59,94	55,63	2,54 x 19 = 48,26	80,1
50	0919 550 7913 001	0919 550 6913 001	0919 550 5913 001	83,1		72,64	68,33	2,54 x 24 = 60,96	92,8
60	0919 560 7913 001	0919 560 6913 001	0919 560 5913 001	95,8		85,34	81,03	2,54 x 29 = 73,66	105,5
64	0919 564 7913 001	0919 564 6913 001	0919 564 5913 001	100,9		90,42	86,11	2,54 x 31 = 78,74	110,6

	All rights reserved	Created by	Inspected by	Standardisation	Date	State	
	Department EC PD - FR	DOUGE	BAGDIKIAN	HOFFMANN	2014-05-16	Final Release	
HARTING Electronics GmbH D-32339 Espelkamp		Title SEK 19 male STD angled with short levers				Doc-Key / ECM-Nr. 100566964/UGD/001/A 50000068837	
		Type	Number	Rev.		Page	
		TB	09195XXX913	A		2/2	

A  
B  
C  
D  
E  
F