

L-113HDT-TNR2.54, L-113HDT-TNR5/8.6 BRIGHT RED
 L-113IDT-TNR2.54, L-113IDT-TNR5/8.6 HIGHEFFICIENCYRED
 L-113GDT-TNR2.54, L-113GDT-TNR5/8.6 GREEN
 L-113YDT-TNR2.54, L-113YDT-TNR5/8.6 YELLOW
 L-113SRDT-TNR2.54, L-113SRDT-TNR5/8.6 SUPERBRIGHT RED

Features

- FOR THE USE OF AUTOMATIC INSERTION MACHINE.
- 5mm FORMED LEAD AND 2.54mm STRAIGHT LEAD.
- LED LAMPS ALSO AVAILABLE IN TAPE & BOX PACKAGE.

Description

The Bright Red source color devices are made with Gallium Phosphide Red Light Emitting Diode.

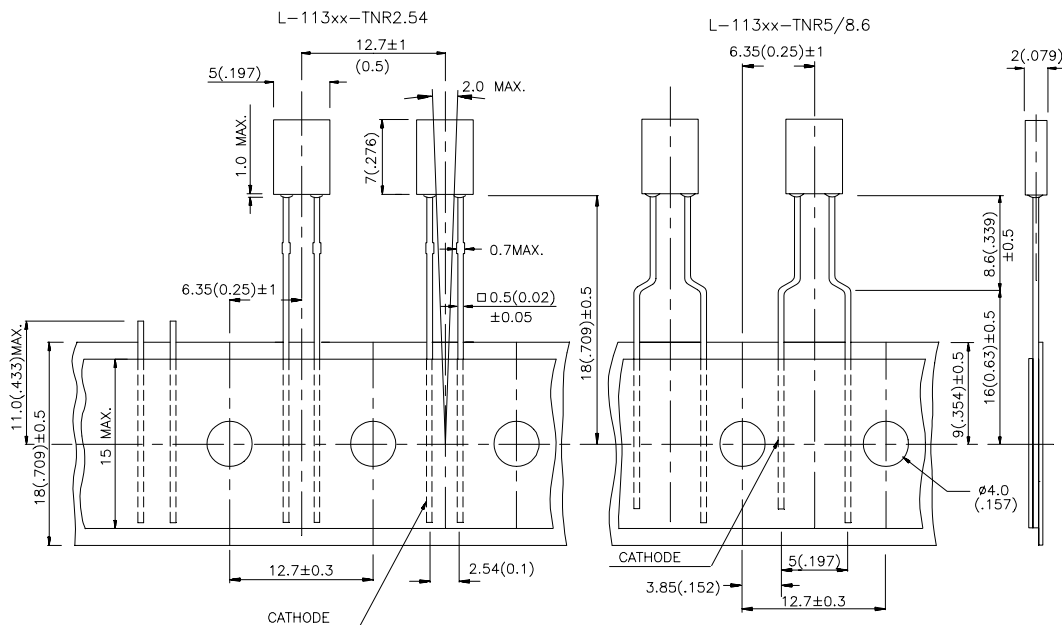
The High Efficiency Red source color devices are made with Gallium Arsenide Phosphide on Gallium Phosphide Orange Light Emitting Diode.

The Green source color devices are made with Gallium Phosphide Green Light Emitting Diode.

The Yellow source color devices are made with Gallium Arsenide Phosphide on Gallium Phosphide Yellow Light Emitting Diode.

The Super Bright Red source color devices are made with Gallium Aluminum Arsenide Red Light Emitting Diode.

Package Dimensions



Notes:

1. All dimensions are in millimeters (inches).
2. Tolerance is ±0.25(0.01") unless otherwise noted.
3. Lead spacing is measured where the lead emerge package.
4. Specifications are subject to change without notice.

Selection Guide

Part No.	Dice	Lens Type	Iv (mcd) @ 10 mA *20mA		Viewing Angle
			Min.	Typ.	2θ1/2
L-113HDT-TNR2.54	BRIGHT RED (GaP)	RED DIFFUSED	0.5	1	110°
L-113HDT-TNR5/8.6					
L-113IDT-TNR2.54	HIGH EFFICIENCY RED (GaAsP/GaP)	RED DIFFUSED	3	5	110°
L-113IDT-TNR5/8.6					
L-113GDT-TNR2.54	GREEN (GaP)	GREEN DIFFUSED	2	5	110°
L-113GDT-TNR5/8.6					
L-113YDT-TNR2.54	YELLOW (GaAsP/GaP)	YELLOW DIFFUSED	1	4	110°
L-113YDT-TNR5/8.6					
L-113SRDT-TNR2.54	SUPER BRIGHT RED (GaAlAs)	RED DIFFUSED	*40	*80	110°
L-113SRDT-TNR5/8.6					

Note:

1. θ1/2 is the angle from optical centerline where the luminous intensity is 1/2 the optical centerline value.

Electrical / Optical Characteristics at T_A=25°C

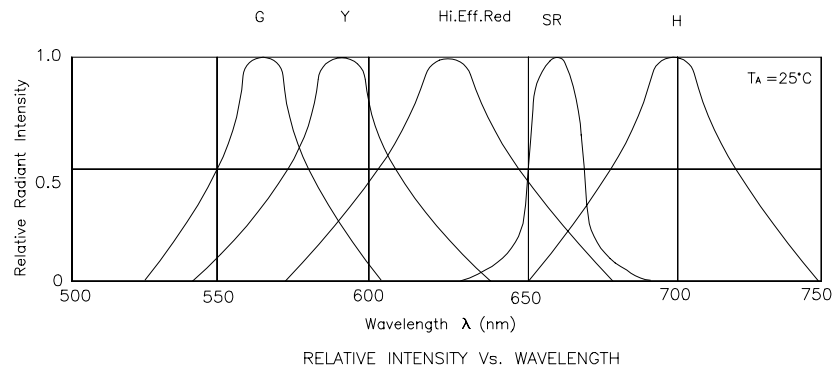
Symbol	Parameter	Device	Typ.	Max.	Units	Test Conditions
λ _{peak}	Peak Wavelength	Bright Red High Efficiency Red Green Yellow Super Bright Red	700 627 565 590 660		nm	IF=20mA
λ _D	Dominate Wavelength	Bright Red High Efficiency Red Green Yellow Super Bright Red	660 625 568 588 640		nm	IF=20mA
Δλ _{1/2}	Spectral Line Halfwidth	Bright Red High Efficiency Red Green Yellow Super Bright Red	45 45 30 35 20		nm	IF=20mA
C	Capacitance	Bright Red High Efficiency Red Green Yellow Super Bright Red	40 15 15 20 45		pF	VF=0V;f=1MHz
V _F	Forward Voltage	Bright Red High Efficiency Red Green Yellow Super Bright Red	2.25 2.0 2.2 2.1 1.85	2.5 2.5 2.5 2.5 2.5	V	IF=20mA
I _r	Reverse Current	All		10	μA	VR = 5V

Absolute Maximum Ratings at $T_A=25^\circ\text{C}$

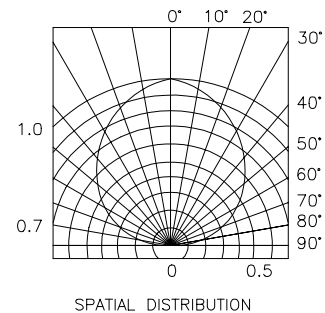
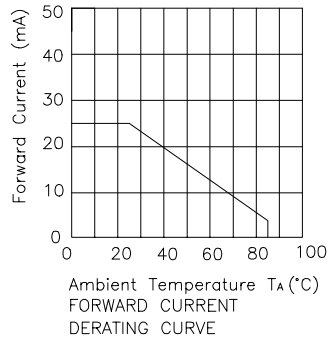
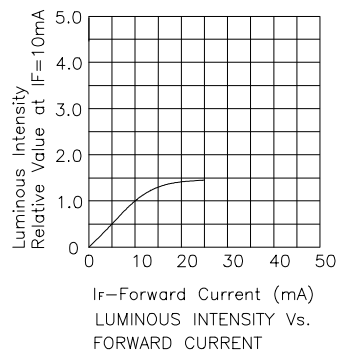
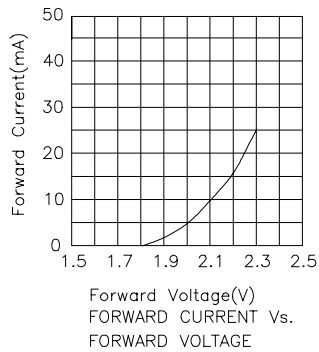
Parameter	Bright Red	High Efficiency Red	Green	Yellow	Super Bright Red	Units
Power dissipation	120	105	105	105	100	mW
DC Forward Current	25	30	25	30	30	mA
Peak Forward Current [1]	120	160	140	140	155	mA
Reverse Voltage	5	5	5	5	5	V
Operating/Storage Temperature	-40°C To +85°C					
Lead Solder Temperature [2]	260°C For 5 Seconds					

Notes:

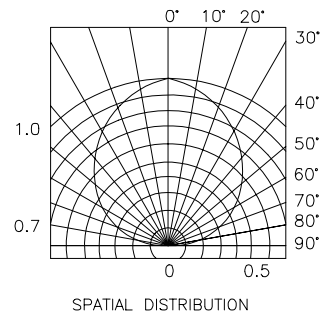
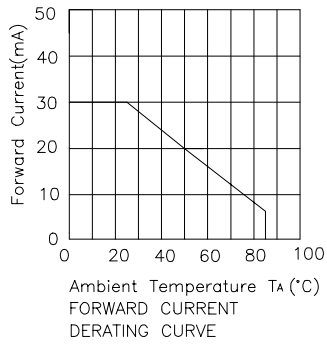
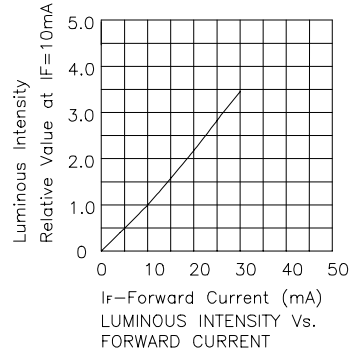
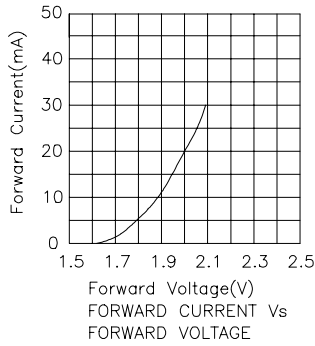
- 1/10 Duty Cycle, 0.1ms Pulse Width.
- 4mm below package base.



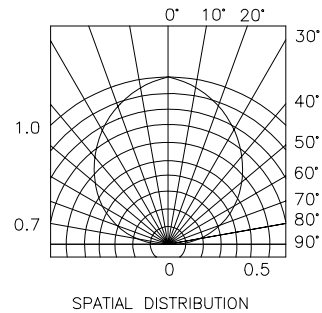
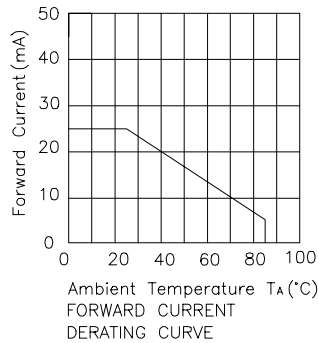
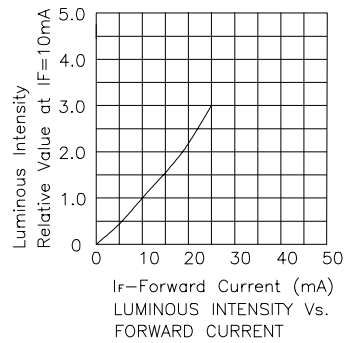
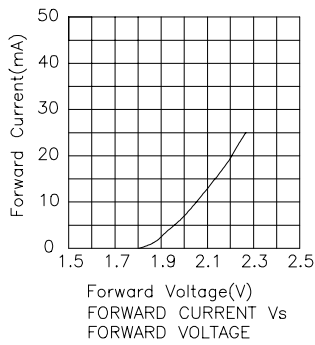
Bright Red L-113HDT-TNR2.54, L-113HDT-TNR5/8.6



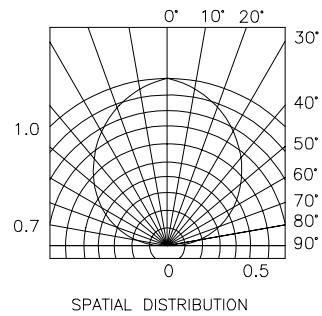
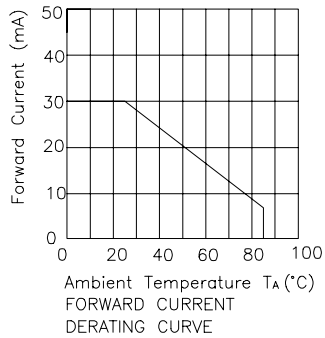
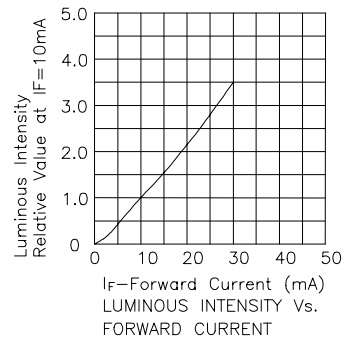
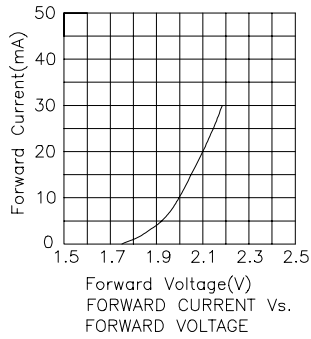
High Efficiency Red L-113IDT-TNR2.54, L-113IDT-TNR5/8.6



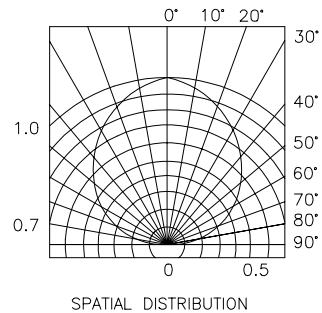
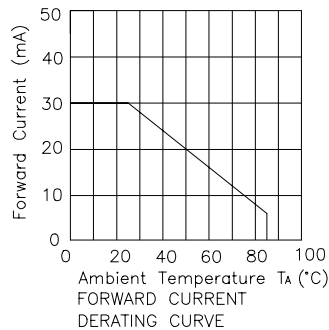
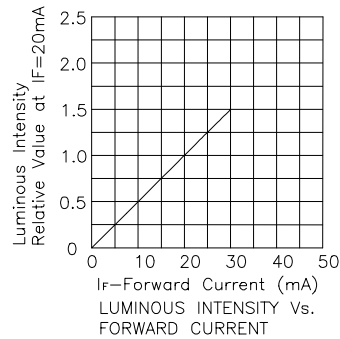
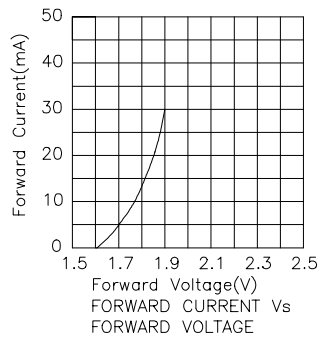
Green L-113GDT-TNR2.54, L-113GDT-TNR5/8.6



Yellow L-113YDT-TNR2.54, L-113YDT-TNR5/8.6



L-113SRDT-TNR2.54, L-113SRDT-TNR5/8.6 Super Bright Red



Reel Dimensions

