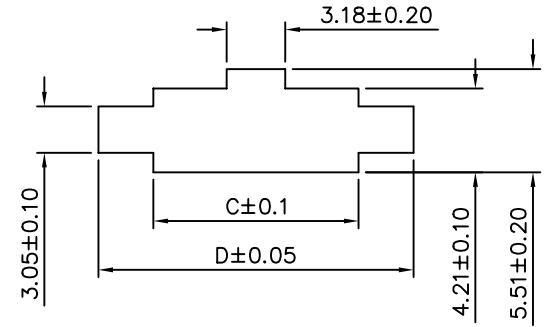
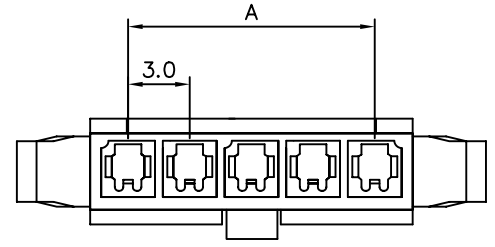


**SPECIFICATIONS**

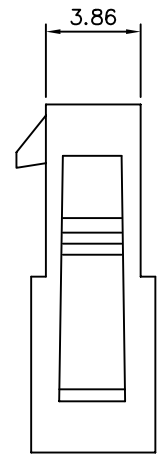
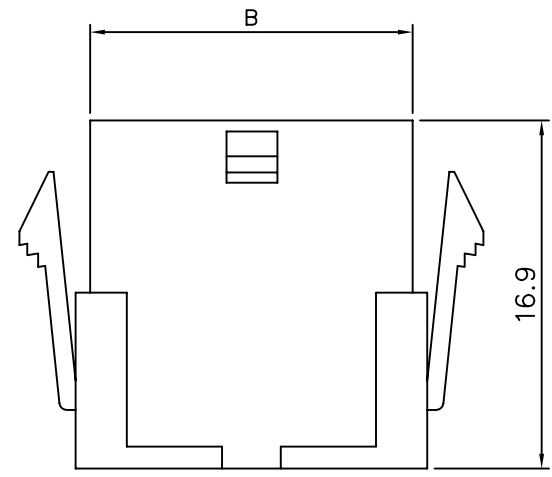
Current Rating:

Wire Size	#20	#22	#24	#26	#28	#30
Amp(A)	5	5	4	3	2	1

Voltage Rating:250V AC/DC  
 Dielectric Strength:1500V AC/Minute  
 Insulation Resistance:1000 Megohms Min.  
 Temperature Rise:30°C Max.  
 (Carry Rated Current Load)  
 Insulator:Nylon ,UL 94V-0,Black.



Panel Opening (Recommended Panel Thickness:1.57mm)



Position	Dim A	Dim B	Dim C	Dim D
2	3.00±0.08	6.85	7.21	10.90
3	6.00±0.10	9.85	10.21	13.90
4	9.00±0.10	12.85	13.21	16.90
5	12.00±0.10	15.85	16.21	19.90
6	15.00±0.15	18.85	19.21	22.90
7	18.00±0.15	21.85	22.21	25.90
8	21.00±0.15	24.85	25.21	28.90
9	24.00±0.15	27.85	28.21	31.90
10	27.00±0.20	30.85	31.21	34.90
11	30.00±0.20	33.85	34.21	37.90
12	33.00±0.20	36.85	37.21	40.90

**AUK** A NUMBER OF AUK GROUP  
**太聯事業股份有限公司**  
 AUK CONTRACTORS CO., LTD.

DRAWING No.  
 MIF1X03PH

APPROVED BY MEI  
 CHECKED BY BECKY  
 DRAWING BY HZF

UNLESS OTHERWISE SPECIFIED  
 TOLERANCES ARE  
 .X ±0.40  
 .XX ±0.25  
 .XXX ±0.08

SCALE NONE

REV. A0

UNIT mm

NO. REV. A0

NEW RELEASE REVISIONS

MEI CHK DATE