



# Low Noise Micropower Precision Voltage References

## ADR290/ADR291/ADR292

### FEATURES

- Voltage Options 2.048 V, 2.500 V and 4.096 V
- 2.7 V to 15 V Supply Range
- Supply Current 12  $\mu$ A max
- Initial Accuracy  $\pm 2$  mV max
- Temperature Coefficient 8 ppm/ $^{\circ}$ C max
- Low-Noise 6  $\mu$ V p-p (0.1 – 10 Hz)
- High Output Current 5 mA min
- Temperature Range  $-40^{\circ}$ C to  $+125^{\circ}$ C
- REF02/REF19x Pinout

### APPLICATIONS

- Portable Instrumentation
- Precision Reference for 3 V and 5 V Systems
- A/D and D/A Converter Reference
- Solar Powered Applications
- Loop-Current Powered Instruments

### GENERAL DESCRIPTION

The ADR290, ADR291 and ADR292 are low noise, micropower precision voltage references that use an XFET<sup>™</sup> reference circuit. The new XFET<sup>™</sup> architecture offers significant performance improvements over traditional bandgap and Zener-based references. Improvements include: one quarter the voltage noise output of bandgap references operating at the same current, very low and ultralinear temperature drift, low thermal hysteresis and excellent long-term stability.

The ADR29x family are series voltage references providing stable and accurate output voltages from supplies as low as 2.7 V. Output voltage options are 2.048 V, 2.5 V and 4.096 V for the ADR290, ADR291 and ADR292 respectively. Quiescent current is only 12  $\mu$ A, making these devices ideal for battery powered instrumentation. Three electrical grades are available offering initial output accuracies of  $\pm 2$  mV,  $\pm 3$  mV and  $\pm 6$  mV max for the ADR290 and ADR291 and  $\pm 3$  mV,  $\pm 4$  mV and  $\pm 6$  mV max for the ADR292. Temperature coefficients for the three grades are 8 ppm/ $^{\circ}$ C, 15 ppm/ $^{\circ}$ C and 25 ppm/ $^{\circ}$ C max, respectively. Line regulation and load regulation are typically 30 ppm/V and 30 ppm/mA, maintaining the reference's overall high performance. For a device with 5.0 V output, refer to the ADR293 data sheet.

The ADR290, ADR291 and ADR292 references are specified over the extended industrial temperature range of  $-40^{\circ}$ C to  $+125^{\circ}$ C. Devices are available in the 8-lead SOIC, 8-lead TSSOP and the TO-92 package.

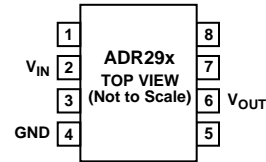
XFET is a trademark of Analog Devices, Inc.

REV. 0

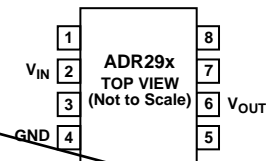
Information furnished by Analog Devices is believed to be accurate and reliable. However, no responsibility is assumed by Analog Devices for its use, nor for any infringements of patents or other rights of third parties which may result from its use. No license is granted by implication or otherwise under any patent or patent rights of Analog Devices.

### PIN CONFIGURATIONS

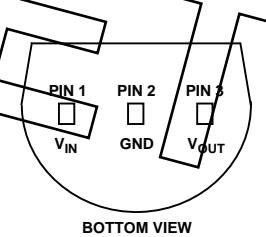
#### 8-Lead Narrow Body SO (R Suffix)



#### 8-Lead TSSOP (RU Suffix)



#### 3-Pin TO-92 (T9 Suffix)



Part Number	Nominal Output Voltage (V)
ADR290	2.048
ADR291	2.500
ADR292	4.096

## ADR290—SPECIFICATIONS

Electrical Specifications ( $V_S = +2.7\text{ V}$ ,  $T_A = +25^\circ\text{C}$  unless otherwise noted)

Parameter	Symbol	Conditions	Min	Typ	Max	Units
INITIAL ACCURACY “E” Grade “F” Grade “G” Grade	$V_O$	$I_{OUT} = 0\text{ mA}$	2.046 2.045 2.042	2.048	2.050 2.051 2.054	V V V
LINE REGULATION “E/F” Grades “G” Grade	$\Delta V_O/\Delta V_{IN}$	2.7 V to 15 V, $I_{OUT} = 0\text{ mA}$		30 40	100 125	ppm/V ppm/V
LOAD REGULATION “E/F” Grades “G” Grade	$\Delta V_O/\Delta I_{LOAD}$	$V_S = 5.0\text{ V}$ , 0 mA to 5 mA		30 40	100 125	ppm/mA ppm/mA
LONG TERM STABILITY	$\Delta V_O$	1000 hrs @ $+25^\circ\text{C}$ , $V_S = +15\text{ V}$		0.2		ppm
NOISE VOLTAGE	$e_N$	0.1 Hz to 10 Hz		6		$\mu\text{V p-p}$
WIDEBAND NOISE DENSITY	$e_n$	at 1 kHz		420		$\text{nV}/\sqrt{\text{Hz}}$

Electrical Specifications ( $V_S = +2.7\text{ V}$ ,  $T_A = -25^\circ\text{C} \leq T_A \leq +85^\circ\text{C}$  unless otherwise noted)

Parameter	Symbol	Conditions	Min	Typ	Max	Units
TEMPERATURE COEFFICIENT “E” Grade “F” Grade “G” Grade	$\text{TCV}_O/^\circ\text{C}$	$I_{OUT} = 0\text{ mA}$		3 6 10	8 15 25	ppm/ $^\circ\text{C}$ ppm/ $^\circ\text{C}$ ppm/ $^\circ\text{C}$
LINE REGULATION “E/F” Grades “G” Grade	$\Delta V_O/\Delta V_{IN}$	2.7 V to 15 V, $I_{OUT} = 0\text{ mA}$		35 50	125 150	ppm/V ppm/V
LOAD REGULATION “E/F” Grades “G” Grade	$\Delta V_O/\Delta I_{LOAD}$	$V_S = 5.0\text{ V}$ , 0 mA to 5 mA		20 30	125 150	ppm/mA ppm/mA

Electrical Specifications ( $V_S = +2.7\text{ V}$ ,  $T_A = -40^\circ\text{C} \leq T_A \leq +125^\circ\text{C}$  unless otherwise noted)

Parameter	Symbol	Conditions	Min	Typ	Max	Units
TEMPERATURE COEFFICIENT “E” Grade “F” Grade “G” Grade	$\text{TCV}_O/^\circ\text{C}$	$I_{OUT} = 0\text{ mA}$		3 5 10	10 20 30	ppm/ $^\circ\text{C}$ ppm/ $^\circ\text{C}$ ppm/ $^\circ\text{C}$
LINE REGULATION “E/F” Grades “G” Grade	$\Delta V_O/\Delta V_{IN}$	2.7 V to 15 V, $I_{OUT} = 0\text{ mA}$		40 70	200 250	ppm/V ppm/V
LOAD REGULATION “E/F” Grades “G” Grade	$\Delta V_O/\Delta I_{LOAD}$	$V_S = 5.0\text{ V}$ , 0 mA to 5 mA		20 30	200 300	ppm/mA ppm/mA
SUPPLY CURRENT		@ $+25^\circ\text{C}$		8 12	12 15	$\mu\text{A}$ $\mu\text{A}$
THERMAL HYSTERESIS		TO-92, SO-8, TSSOP-8		50		ppm

NOTE  
Specifications subject to change without notice.

# ADR291–SPECIFICATIONS

ADR290/ADR291/ADR292

## Electrical Specifications ( $V_S = +3.0\text{ V}$ , $T_A = +25^\circ\text{C}$ unless otherwise noted)

Parameter	Symbol	Conditions	Min	Typ	Max	Units
INITIAL ACCURACY “E” Grade “F” Grade “G” Grade	$V_O$	$I_{OUT} = 0\text{ mA}$	2.498 2.497 2.494	2.500	2.502 2.503 2.506	V V V
LINE REGULATION “E/F” Grades “G” Grade	$\Delta V_O/\Delta V_{IN}$	3.0 V to 15 V, $I_{OUT} = 0\text{ mA}$		30 40	100 125	ppm/V ppm/V
LOAD REGULATION “E/F” Grades “G” Grade	$\Delta V_O/\Delta I_{LOAD}$	$V_S = 5.0\text{ V}$ , 0 mA to 5 mA		30 40	100 125	ppm/mA ppm/mA
LONG TERM STABILITY	$\Delta V_O$	1000 hrs @ $+25^\circ\text{C}$ , $V_S = +15\text{ V}$		0.2		ppm
NOISE VOLTAGE	$e_N$	0.1 Hz to 10 Hz		8		$\mu\text{V p-p}$
WIDEBAND NOISE DENSITY	$e_n$	at 1 kHz		480		$\text{nV}/\sqrt{\text{Hz}}$

## Electrical Specifications ( $V_S = +3.0\text{ V}$ , $T_A = -25^\circ\text{C} \leq T_A \leq +85^\circ\text{C}$ unless otherwise noted)

Parameter	Symbol	Conditions	Min	Typ	Max	Units
TEMPERATURE COEFFICIENT “E” Grade “F” Grade “G” Grade	$TCV_O/^\circ\text{C}$	$I_{OUT} = 0\text{ mA}$		3 5 10	8 15 25	ppm/ $^\circ\text{C}$ ppm/ $^\circ\text{C}$ ppm/ $^\circ\text{C}$
LINE REGULATION “E/F” Grades “G” Grade	$\Delta V_O/\Delta V_{IN}$	3.0 V to 15 V, $I_{OUT} = 0\text{ mA}$		35 50	125 150	ppm/V ppm/V
LOAD REGULATION “E/F” Grades “G” Grade	$\Delta V_O/\Delta I_{LOAD}$	$V_S = 5.0\text{ V}$ , 0 mA to 5 mA		20 30	125 150	ppm/mA ppm/mA

## Electrical Specifications ( $V_S = +3.0\text{ V}$ , $T_A = -40^\circ\text{C} \leq T_A \leq +125^\circ\text{C}$ unless otherwise noted)

Parameter	Symbol	Conditions	Min	Typ	Max	Units
TEMPERATURE COEFFICIENT “E” Grade “F” Grade “G” Grade	$TCV_O/^\circ\text{C}$	$I_{OUT} = 0\text{ mA}$		3 5 10	10 20 30	ppm/ $^\circ\text{C}$ ppm/ $^\circ\text{C}$ ppm/ $^\circ\text{C}$
LINE REGULATION “E/F” Grades “G” Grade	$\Delta V_O/\Delta V_{IN}$	3.0 V to 15 V, $I_{OUT} = 0\text{ mA}$		40 70	200 250	ppm/V ppm/V
LOAD REGULATION “E/F” Grades “G” Grade	$\Delta V_O/\Delta I_{LOAD}$	$V_S = 5.0\text{ V}$ , 0 mA to 5 mA		20 30	200 300	ppm/mA ppm/mA
SUPPLY CURRENT		@ $+25^\circ\text{C}$		9 12	12 15	$\mu\text{A}$ $\mu\text{A}$
THERMAL HYSTERESIS		TO-92, SO-8, TSSOP-8		50		ppm

**NOTE**

Specifications subject to change without notice.

## ADR292–SPECIFICATIONS

Electrical Specifications ( $V_S = +5\text{ V}$ ,  $T_A = +25^\circ\text{C}$  unless otherwise noted)

Parameter	Symbol	Conditions	Min	Typ	Max	Units
INITIAL ACCURACY “E” Grade “F” Grade “G” Grade	$V_O$	$I_{OUT} = 0\text{ mA}$	4.093 4.092 4.090	4.096	4.099 4.100 4.102	V V V
LINE REGULATION “E/F” Grades “G” Grade	$\Delta V_O/\Delta V_{IN}$	4.5 V to 15 V, $I_{OUT} = 0\text{ mA}$		30 40	100 125	ppm/V ppm/V
LOAD REGULATION “E/F” Grades “G” Grade	$\Delta V_O/\Delta I_{LOAD}$	$V_S = 5.0\text{ V}$ , 0 mA to 5 mA		30 40	100 125	ppm/mA ppm/mA
LONG TERM STABILITY	$\Delta V_O$	1000 hrs @ $+25^\circ\text{C}$ , $V_S = +15\text{ V}$		0.2		ppm
NOISE VOLTAGE	$e_N$	0.1 Hz to 10 Hz		12		$\mu\text{V p-p}$
WIDEBAND NOISE DENSITY	$e_N$	at 1 kHz		640		nV/ $\sqrt{\text{Hz}}$

Electrical Specifications ( $V_S = +5\text{ V}$ ,  $T_A = -25^\circ\text{C} \leq T_A \leq +85^\circ\text{C}$  unless otherwise noted)

Parameter	Symbol	Conditions	Min	Typ	Max	Units
TEMPERATURE COEFFICIENT “E” Grade “F” Grade “G” Grade	$TCV_O/^\circ\text{C}$	$I_{OUT} = 0\text{ mA}$		3 5 10	8 15 25	ppm/ $^\circ\text{C}$ ppm/ $^\circ\text{C}$ ppm/ $^\circ\text{C}$
LINE REGULATION “E/F” Grades “G” Grade	$\Delta V_O/\Delta V_{IN}$	4.5 V to 15 V, $I_{OUT} = 0\text{ mA}$		35 50	125 150	ppm/V ppm/V
LOAD REGULATION “E/F” Grades “G” Grade	$\Delta V_O/\Delta I_{LOAD}$	$V_S = 5.0\text{ V}$ , 0 mA to 5 mA		20 30	125 150	ppm/mA ppm/mA

Electrical Specifications ( $V_S = +5\text{ V}$ ,  $T_A = -40^\circ\text{C} \leq T_A \leq +125^\circ\text{C}$  unless otherwise noted)

Parameter	Symbol	Conditions	Min	Typ	Max	Units
TEMPERATURE COEFFICIENT “E” Grade “F” Grade “G” Grade	$TCV_O/^\circ\text{C}$	$I_{OUT} = 0\text{ mA}$		3 5 10	10 20 30	ppm/ $^\circ\text{C}$ ppm/ $^\circ\text{C}$ ppm/ $^\circ\text{C}$
LINE REGULATION “E/F” Grades “G” Grade	$\Delta V_O/\Delta V_{IN}$	4.5 V to 15 V, $I_{OUT} = 0\text{ mA}$		40 70	200 250	ppm/V ppm/V
LOAD REGULATION “E/F” Grades “G” Grade	$\Delta V_O/\Delta I_{LOAD}$	$V_S = 5.0\text{ V}$ , 0 mA to 5 mA		20 30	200 300	ppm/mA ppm/mA
SUPPLY CURRENT		@ $+25^\circ\text{C}$		10 12	15 18	$\mu\text{A}$ $\mu\text{A}$
THERMAL HYSTERESIS		TO-92, SO-8, TSSOP-8		50		ppm

NOTE  
Specifications subject to change without notice.

**WAFER TEST LIMITS** (@  $I_{LOAD} = 0 \text{ mA}$ ,  $T_A = +25^\circ\text{C}$  unless otherwise noted)

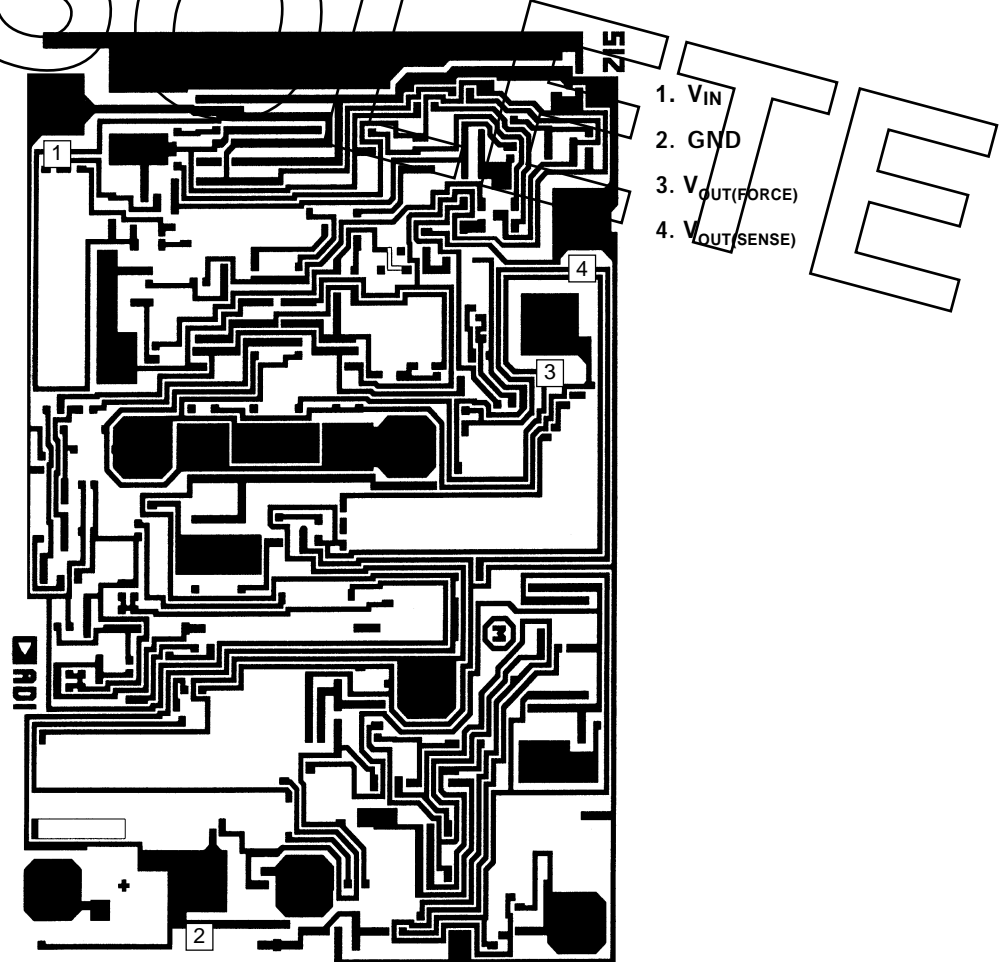
Parameter	Symbol	Conditions	Limits	Units
INITIAL ACCURACY				
ADR290	$V_O$		2.042/2.054	V
ADR291	$V_O$		2.494/2.506	V
ADR292	$V_O$		4.090/4.102	V
LINE REGULATION	$\Delta V_O / \Delta V_{IN}$	$V_O + 1 \text{ V} < V_{IN} < 15 \text{ V}$ , $I_{OUT} = 0 \text{ mA}$	125	ppm/V
LOAD REGULATION	$\Delta V_O / \Delta I_{LOAD}$	0 to 5 mA, $V_{IN} = V_O + 1 \text{ V}$	125	ppm/mA
SUPPLY CURRENT		ADR290, ADR291, no load	12	$\mu\text{A}$
		ADR292, no load	15	$\mu\text{A}$

**NOTES**

Electrical tests are performed as wafer probe to the limits shown. Due to variations in assembly methods and normal yield loss, yield after packaging is not guaranteed for standard product dice. Consult factory to negotiate specifications based on dice lot qualification through sample lot assembly and testing. Specifications subject to change without notice.

**DICE CHARACTERISTICS**

Die Size 0.074 × 0.052 inch, 3848 sq. mils  
 (1.88 × 1.32 mm, 2.48 sq. mm)  
 Transistor Count: 52



For additional DICE ordering information, refer to databook.

# ADR290/ADR291/ADR292

## ABSOLUTE MAXIMUM RATINGS\*

Supply Voltage	+18 V
Output Short-Circuit Duration	Indefinite
Storage Temperature Range	
T9, R, RU Package	-65°C to +150°C
Operating Temperature Range	
ADR290/ADR291/ADR292	-40°C to +125°C
Junction Temperature Range	
T9, R, RU Package	-65°C to +125°C
Lead Temperature (Soldering, 60 sec)	+300°C

## \*CAUTION

1. Stresses above those listed under Absolute Maximum Ratings may cause permanent damage to the device. This is a stress rating only; functional operation at or above this specification is not implied. Exposure to the above maximum rating conditions for extended periods may affect device reliability.
2. Remove power before inserting or removing units from their sockets.
3. Ratings apply to both DICE and packaged parts, unless otherwise noted

Package Type	$\theta_{JA}^1$	$\theta_{JC}$	Units
8-Lead SOIC (R)	158	43	°C/W
8-Lead TO-92 (T9)	162	120	°C/W
3-Pin TSSOP (RU)	240	43	°C/W

## NOTE

$\theta_{JA}$  is specified for worst case conditions, i.e.  $\theta_{JA}$  is specified for device in socket for PDIP, and  $\theta_{JA}$  is specified for a device soldered in circuit board for SOIC packages.

## ORDERING GUIDE

Model	Temperature Range	Package
ADR290ER, ADR290FR, ADR290GR	-40°C to +125°C	8-Lead SOIC
ADR290ER-REEL, ADR290FR-REEL, ADR290GR-REEL	-40°C to +125°C	8-Lead SOIC
ADR290ER-REEL7, ADR290FR-REEL7, ADR290GR-REEL7	-40°C to +125°C	8-Lead SOIC
ADR290GT9	-40°C to +125°C	3-Pin TO-92
ADR290GT9-REEL	-40°C to +125°C	3-Pin TO-92
ADR290GRU-REEL	-40°C to +125°C	8-Lead TSSOP
ADR290GRU-REEL7	-40°C to +125°C	8-Lead TSSOP
ADR290GBC	+25°C	DICE
ADR291ER, ADR291FR, ADR291GR	-40°C to +125°C	8-Lead SOIC
ADR291ER-REEL, ADR291FR-REEL, ADR291GR-REEL	-40°C to +125°C	8-Lead SOIC
ADR291ER-REEL7, ADR291FR-REEL7, ADR291GR-REEL7	-40°C to +125°C	8-Lead SOIC
ADR291GT9	-40°C to +125°C	3-Pin TO-92
ADR291GT9-REEL	-40°C to +125°C	3-Pin TO-92
ADR291GRU-REEL	-40°C to +125°C	8-Lead TSSOP
ADR291GRU-REEL7	-40°C to +125°C	8-Lead TSSOP
ADR291GBC	+25°C	DICE
ADR292ER, ADR292FR, ADR292GR	-40°C to +125°C	8-Lead SOIC
ADR292ER-REEL, ADR292FR-REEL, ADR292GR-REEL	-40°C to +125°C	8-Lead SOIC
ADR292ER-REEL7, ADR292FR-REEL7, ADR292GR-REEL7	-40°C to +125°C	8-Lead SOIC
ADR292GT9	-40°C to +125°C	3-Pin TO-92
ADR292GT9-REEL	-40°C to +125°C	3-Pin TO-92
ADR292GRU-REEL	-40°C to +125°C	8-Lead TSSOP
ADR292GRU-REEL7	-40°C to +125°C	8-Lead TSSOP
ADR292GBC	+25°C	DICE

## CAUTION

ESD (electrostatic discharge) sensitive device. Electrostatic charges as high as 4000 V readily accumulate on the human body and test equipment and can discharge without detection. Although the ADR290/ADR291/ADR292 features proprietary ESD protection circuitry, permanent damage may occur on devices subjected to high energy electrostatic discharges. Therefore, proper ESD precautions are recommended to avoid performance degradation or loss of functionality.



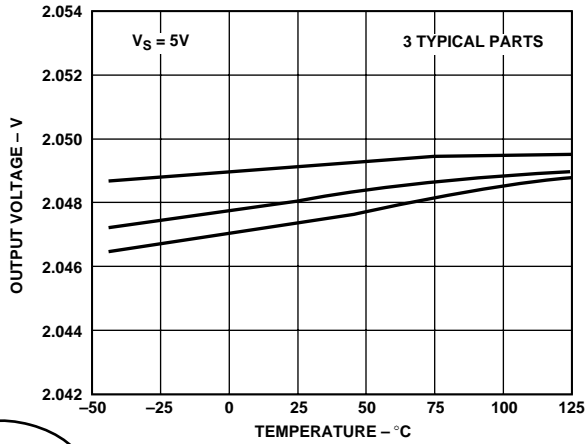


Figure 1. ADR290  $V_{OUT}$  vs. Temperature

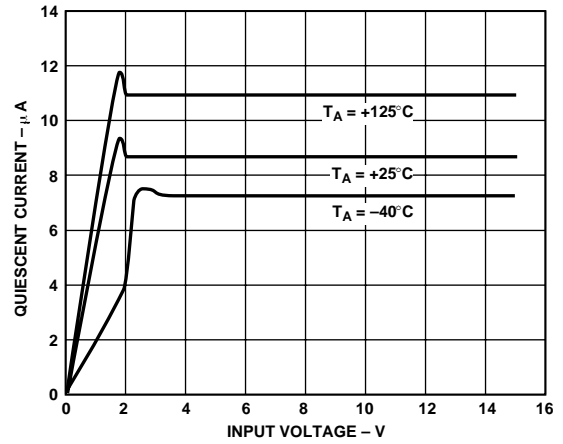


Figure 4. ADR290 Quiescent Current vs. Input Voltage

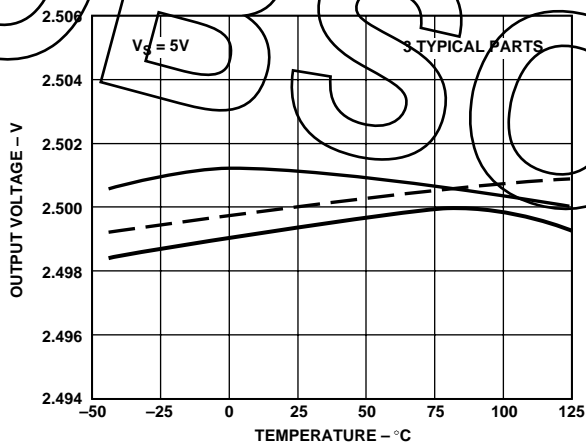


Figure 2. ADR291  $V_{OUT}$  vs. Temperature

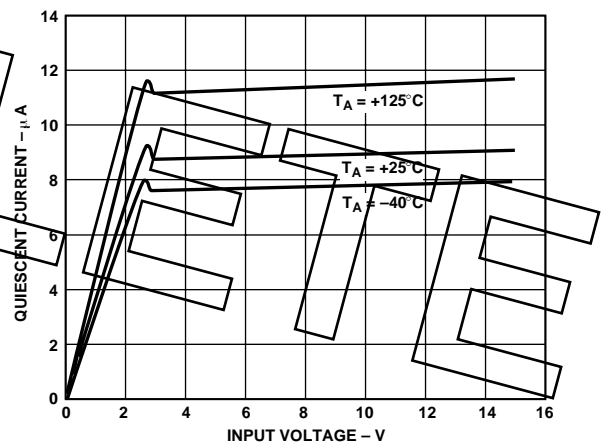


Figure 5. ADR291 Quiescent Current vs. Input Voltage

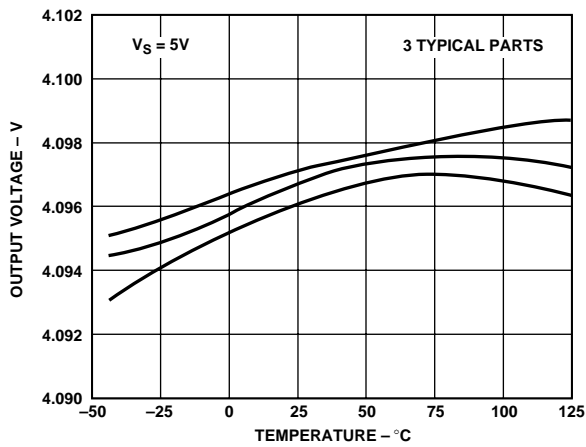


Figure 3. ADR292  $V_{OUT}$  vs. Temperature

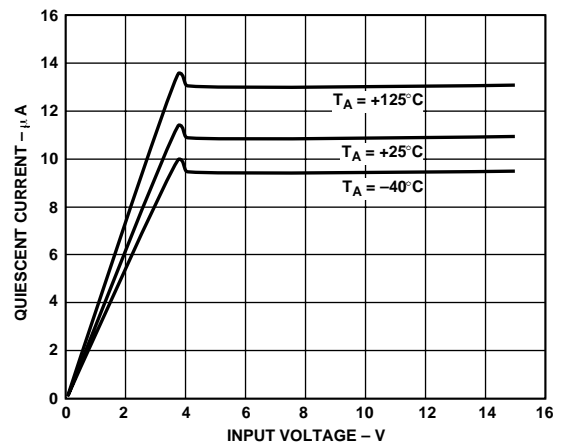


Figure 6. ADR292 Quiescent Current vs. Input Voltage

# ADR290/ADR291/ADR292

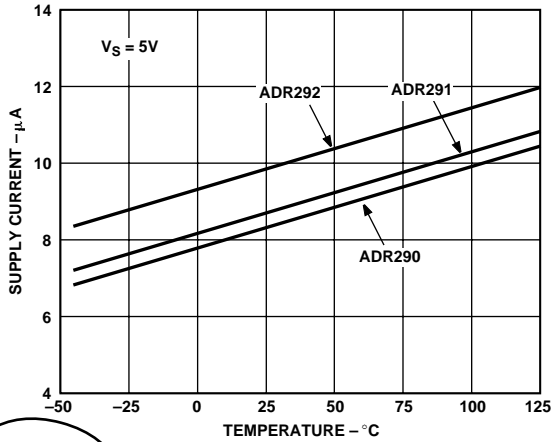


Figure 7. ADR290/ADR291/ADR292 Supply Current vs. Temperature

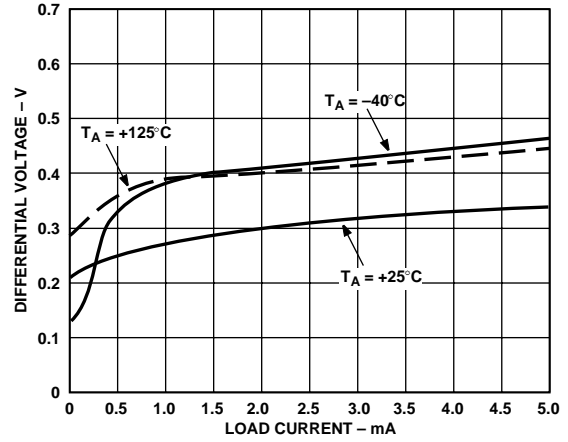


Figure 10. ADR290 Minimum Input-Output Voltage Differential vs. Load Current

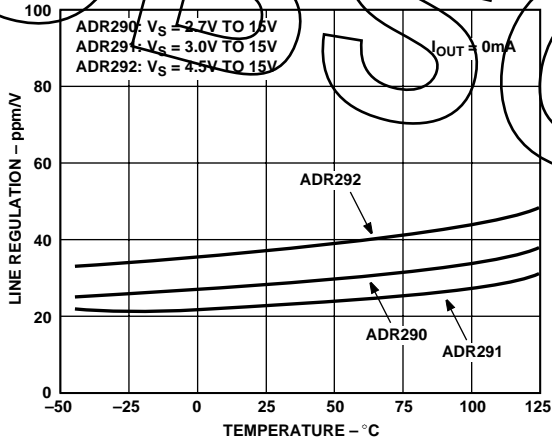


Figure 8. ADR290/ADR291/ADR292 Line Regulation vs. Temperature

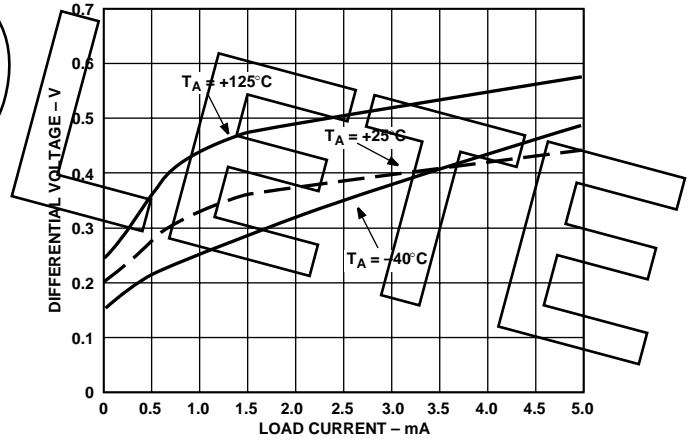


Figure 11. ADR291 Minimum Input-Output Voltage Differential vs. Load Current

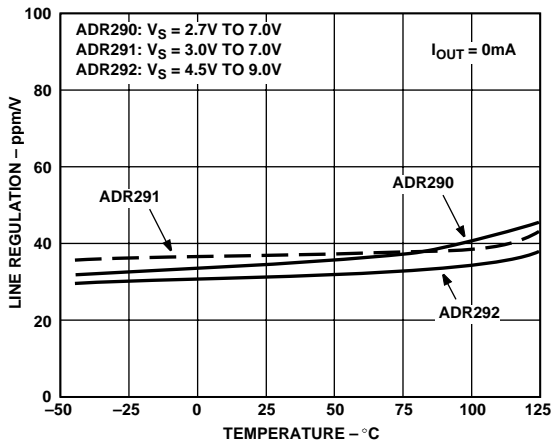


Figure 9. ADR290/ADR291/ADR292 Line Regulation vs. Temperature

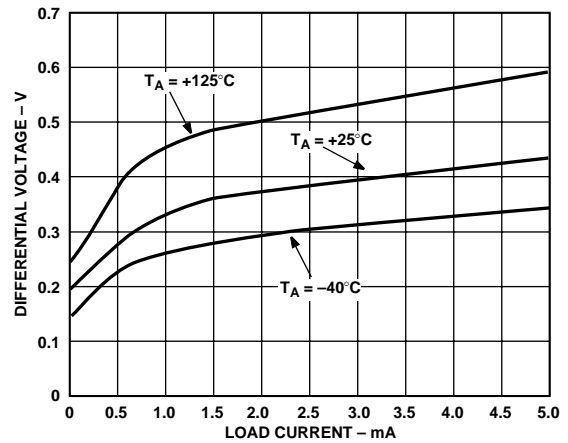


Figure 12. ADR292 Minimum Input-Output Voltage Differential vs. Load Current



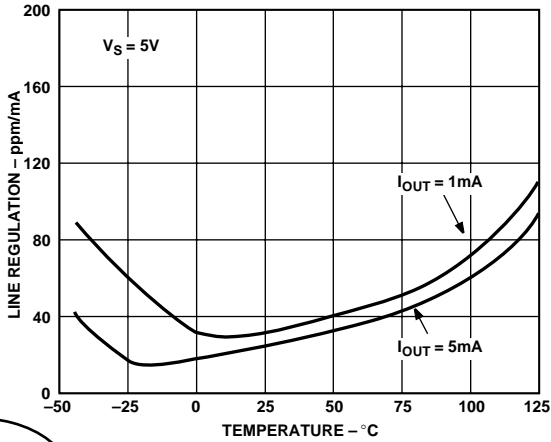


Figure 13. ADR290 Load Regulation vs. Temperature

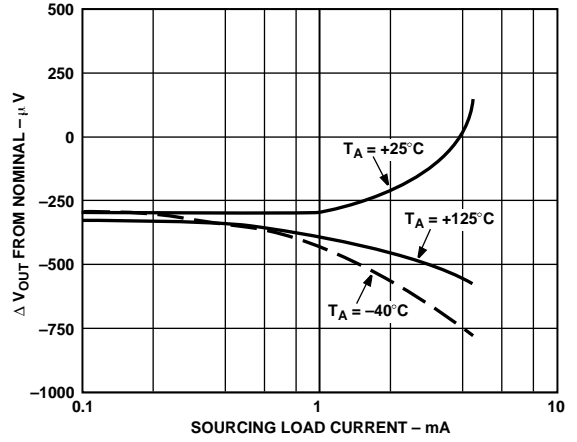


Figure 16. ADR290  $\Delta V_{OUT}$  from Nominal vs. Load Current

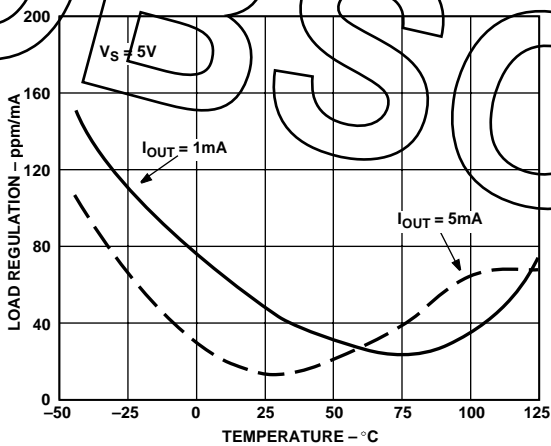


Figure 14. ADR291 Load Regulation vs. Temperature

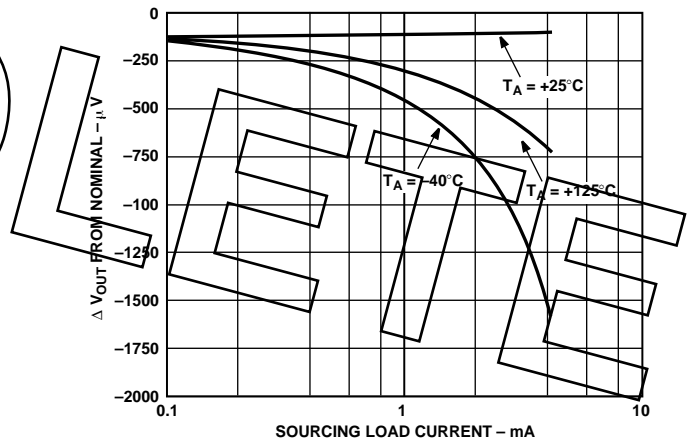


Figure 17. ADR291  $\Delta V_{OUT}$  from Nominal vs. Load Current

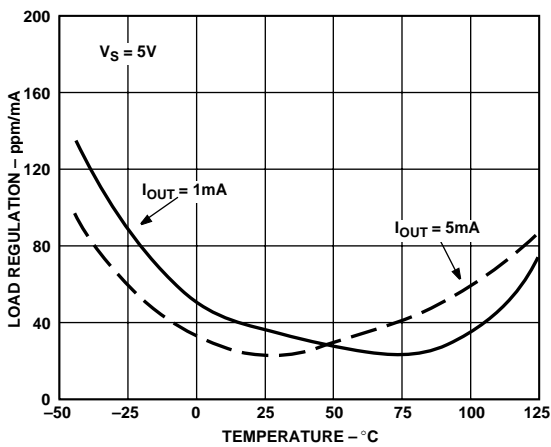


Figure 15. ADR292 Load Regulation vs. Temperature

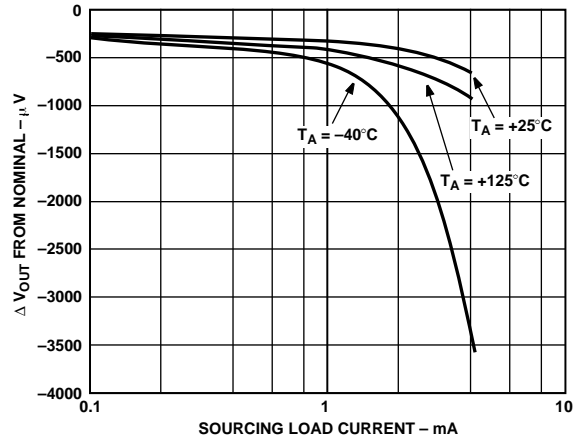


Figure 18. ADR292  $\Delta V_{OUT}$  from Nominal vs. Load Current

# ADR290/ADR291/ADR292

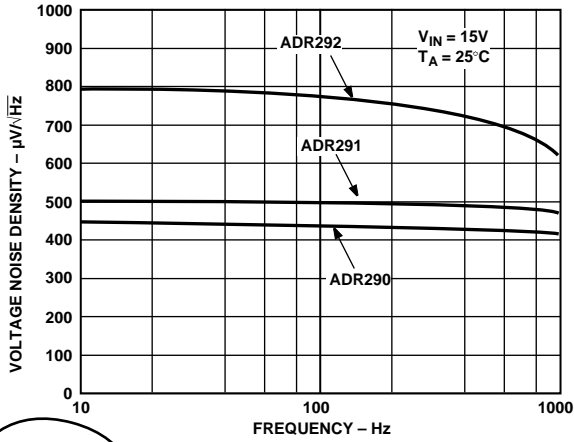


Figure 19. Voltage Noise Density

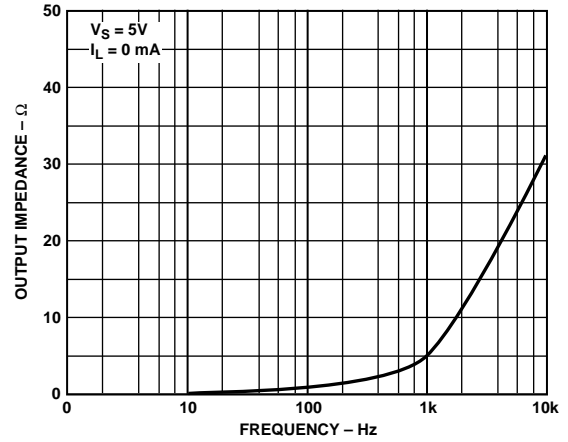


Figure 22. ADR290 Output Impedance vs. Frequency

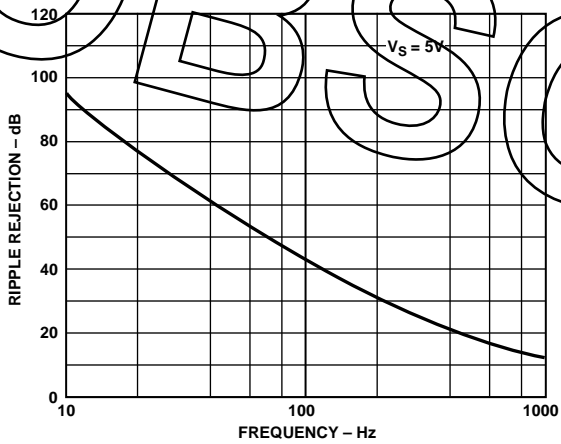


Figure 20. ADR290/ADR291/ADR292 Ripple Rejection vs. Frequency

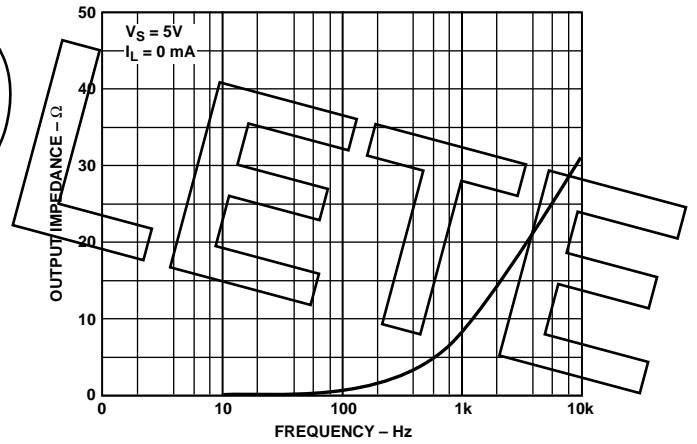


Figure 23. ADR291 Output Impedance vs. Frequency

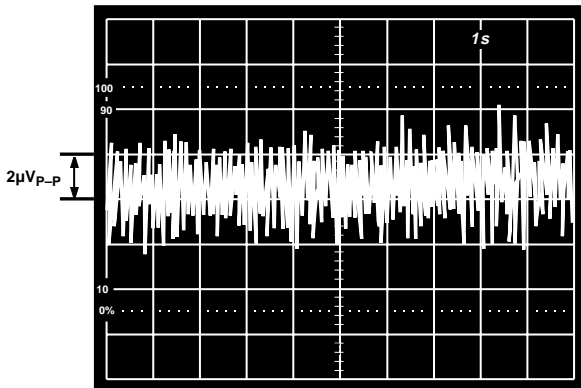


Figure 21. ADR290 0.1 Hz to 10 Hz Noise

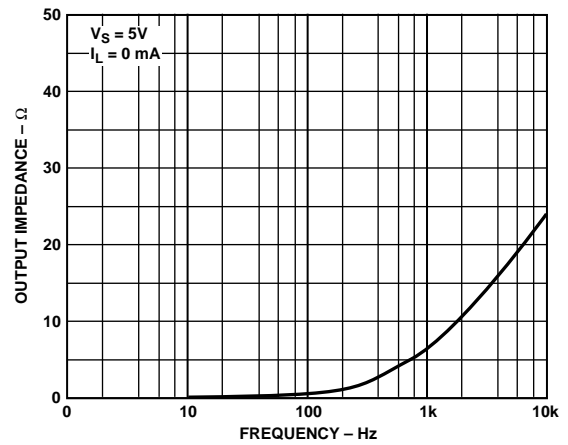


Figure 24. ADR292 Output Impedance vs. Frequency

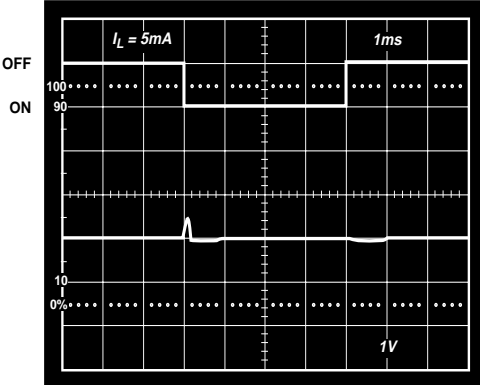


Figure 25. ADR291 Load Transient

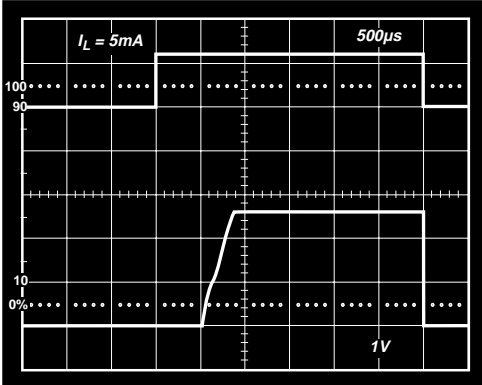


Figure 28. ADR291 Turn-On Time

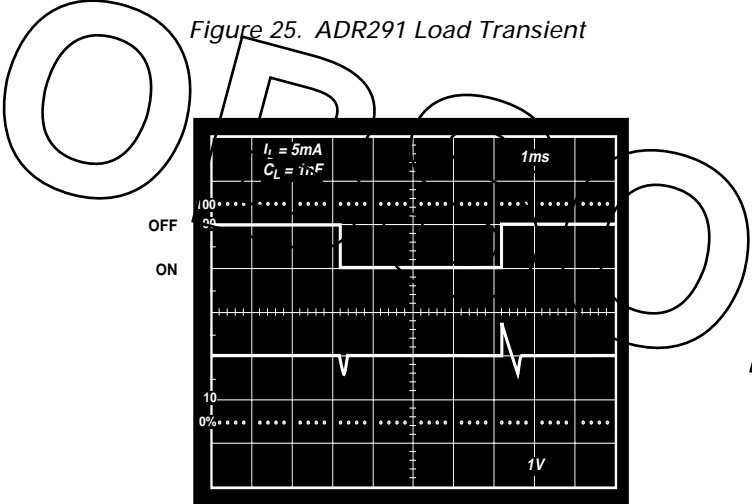


Figure 26. ADR291 Load Transient

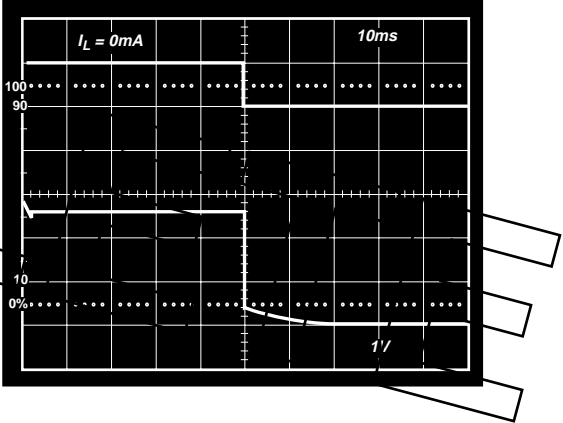


Figure 29. ADR291 Turn-Off Time

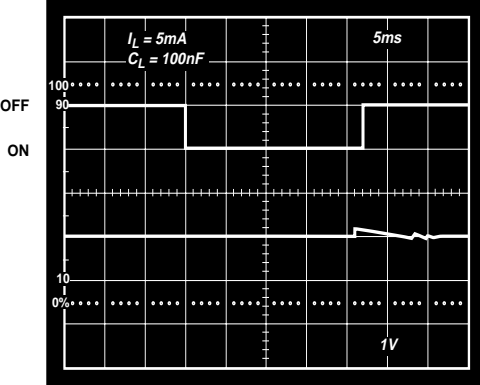


Figure 27. ADR291 Load Transient

# ADR290/ADR291/ADR292

## THEORY OF OPERATION

The ADR29x series of references uses a new reference generation technique known as XFET™ (eXtra implanted junction FET). This technique yields a reference with low noise, low supply current and very low thermal hysteresis.

The core of the XFET™ reference consists of two junction field-effect transistors, one of which has an extra channel implant to raise its pinch-off voltage. By running the two JFETs at the same drain current, the difference in pinch-off voltage can be amplified and used to form a highly stable voltage reference. The intrinsic reference voltage is around 0.5 V with a negative temperature coefficient of about -120 ppm/K. This slope is essentially locked to the dielectric constant of silicon and can be closely compensated by adding a correction term generated in the same fashion as the proportional-to-temperature (PTAT) term used to compensate bandgap references. The big advantage over a bandgap reference is that the intrinsic temperature coefficient is some thirty times lower (therefore less correction is needed) and this results in much lower noise since most of the noise of a bandgap reference comes from the temperature compensation circuitry.

The simplified schematic below shows the basic topology of the ADR29x series. The temperature correction term is provided by a current source with value designed to be proportional to absolute temperature. The general equation is:

$$V_{OUT} = \Delta V_P \left( \frac{R1 + R2 + R3}{R1} \right) + (I_{PTAT})(R3)$$

where  $\Delta V_P$  is the difference in pinch-off voltage between the two FETs, and  $I_{PTAT}$  is the positive temperature coefficient correction current. The various versions of the ADR29x family are created by on-chip adjustment of R1 and R3 to achieve 2.048 V, 2.500 V or 4.096 V at the reference output.

The process used for the XFET reference also features vertical NPN and PNP transistors, the latter of which are used as output devices to provide a very low drop-out voltage.

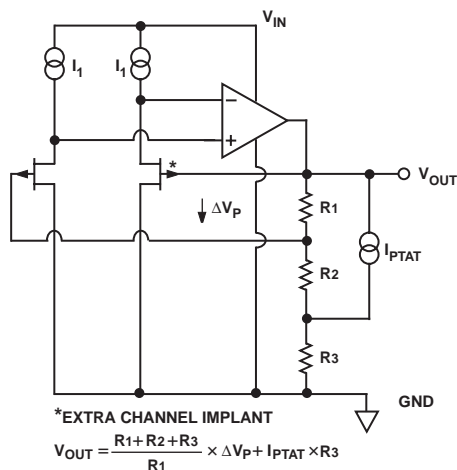


Figure 30. ADR290/ADR291/ADR292 Simplified Schematic

## Device Power Dissipation Considerations

The ADR29x family of references is guaranteed to deliver load currents to 5 mA with an input voltage that ranges from 2.7 V to 15 V (minimum supply voltage depends on output voltage option). When these devices are used in applications with large input voltages, care should be exercised to avoid exceeding the published specifications for maximum power dissipation or junction temperature that could result in premature device failure. The following formula should be used to calculate a device's maximum junction temperature or dissipation:

$$P_D = \frac{T_J - T_A}{\theta_{JA}}$$

In this equation,  $T_J$  and  $T_A$  are the junction and ambient temperatures, respectively,  $P_D$  is the device power dissipation, and  $\theta_{JA}$  is the device package thermal resistance.

## Basic Voltage Reference Connections

References, in general, require a bypass capacitor connected from the  $V_{OUT}$  pin to the GND pin. The circuit in Figure 31 illustrates the basic configuration for the ADR29x family of references. Note that the decoupling capacitors are not required for circuit stability.

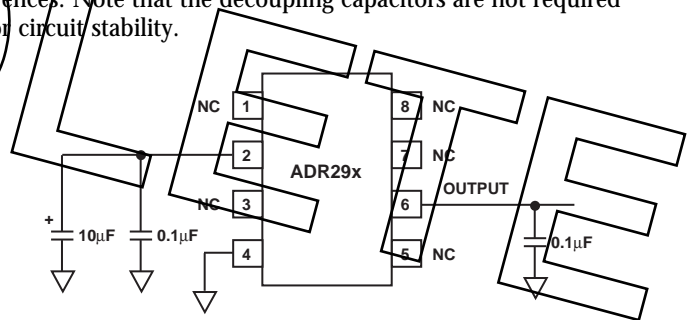


Figure 31. Basic Voltage Reference Configuration

## Noise Performance

The noise generated by the ADR29x family of references is typically less than 12  $\mu V$  p-p over the 0.1 Hz to 10 Hz band. Figure 21 shows the 0.1 Hz to 10 Hz noise of the ADR290 which is only 6  $\mu V$  p-p. The noise measurement is made with a bandpass filter made of a 2-pole high-pass filter with a corner frequency at 0.1 Hz and a 2-pole low-pass filter with a corner frequency at 10 Hz.

## Turn-On Time

Upon application of power (cold start), the time required for the output voltage to reach its final value within a specified error band is defined as the turn-on settling time. Two components normally associated with this are the time for the active circuits to settle, and the time for the thermal gradients on the chip to stabilize. Figure 28 shows the turn-on settling time for the ADR291.

## APPLICATIONS SECTION

### A Negative Precision Reference without Precision Resistors

In many current-output CMOS DAC applications, where the output signal voltage must be of the same polarity as the reference voltage, it is often required to reconfigure a current-switching DAC into a voltage-switching DAC through the use of a 1.25 V reference, an op amp and a pair of resistors. Using a current-switching DAC directly requires the need for an additional operational amplifier at the output to reinvert the signal. A negative voltage reference is then desirable from the point that

an additional operational amplifier is not required for either reinversion (current-switching mode) or amplification (voltage-switching mode) of the DAC output voltage. In general, any positive voltage reference can be converted into a negative voltage reference through the use of an operational amplifier and a pair of matched resistors in an inverting configuration. The disadvantage to that approach is that the largest single source of error in the circuit is the relative matching of the resistors used.

The circuit illustrated in Figure 32 avoids the need for tightly matched resistors with the use of an active integrator circuit. In this circuit, the output of the voltage reference provides the input drive for the integrator. The integrator, to maintain circuit equilibrium adjusts its output to establish the proper relationship between the reference's  $V_{OUT}$  and GND. Thus, any negative output voltage desired can be chosen by simply substituting for the appropriate reference IC. One caveat with this approach should be mentioned: although rail-to-rail output amplifiers work best in the application, these operational amplifiers require a finite amount (mV) of headroom when required to provide any load current. The choice for the circuit's negative supply should take this issue into account.

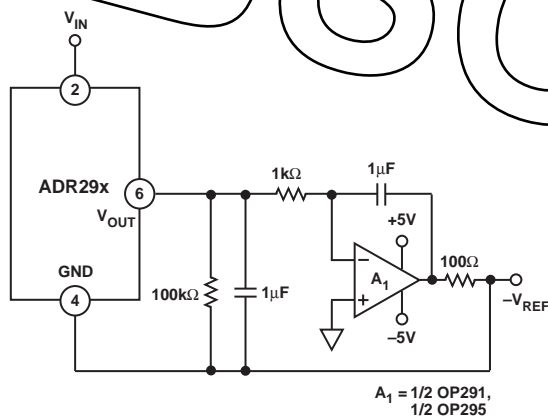


Figure 32. A Negative Precision Voltage Reference Uses No Precision Resistors

**A Precision Current Source**

Many times in low power applications, the need arises for a precision current source that can operate on low supply voltages. As shown in Figure 33, any one of the devices in the ADR29x family of references can be configured as a precision current source. The circuit configuration illustrated is a floating current source with a grounded load. The reference's output voltage is bootstrapped across  $R_{SET}$ , which sets the output current into the load. With this configuration, circuit precision is maintained for load currents in the range from the reference's supply current, typically 12  $\mu$ A to approximately 5 mA.

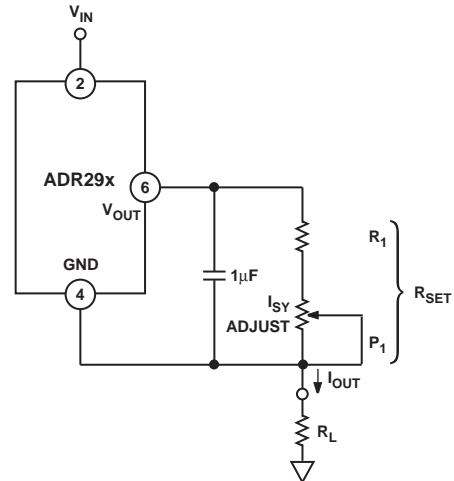


Figure 33. A Precision Current Source

**High Voltage Floating Current Source**

The circuit of Figure 34 can be used to generate a floating current source with minimal self heating. This particular configuration can operate on high supply voltages determined by the breakdown voltage of the N-channel JFET.

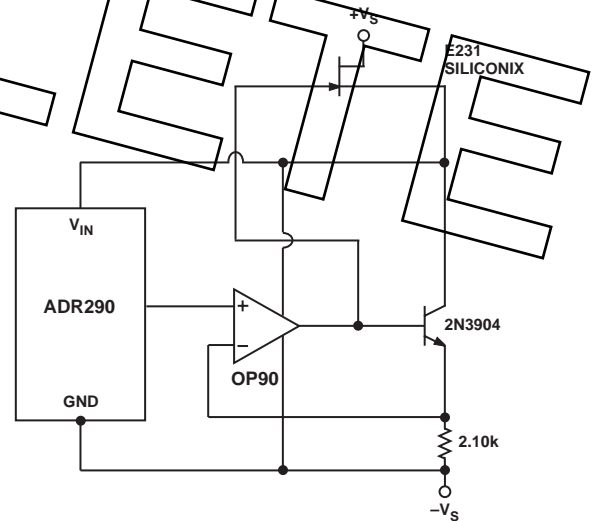


Figure 34. High Voltage Floating Current Source

**Kelvin Connections**

In many portable instrumentation applications, where PC board cost and area go hand-in-hand, circuit interconnects are very often of dimensionally minimum width. These narrow lines can cause large voltage drops if the voltage reference is required to provide load currents to various functions. In fact, a circuit's interconnects can exhibit a typical line resistance of 0.45 mW/square (1 oz. Cu, for example). Force and sense connections also referred to as Kelvin connections, offer a convenient method of eliminating the effects of voltage drops in circuit wires. Load currents flowing through wiring resistance produce an error ( $V_{ERROR} = R \times I_L$ ) at the load. However, the Kelvin connection of Figure 35, overcomes the problem by including the wiring resistance within the forcing loop of the op amp. Since the op amp senses the load voltage, op amp loop control forces the output to compensate for the wiring error and to produce the correct voltage at the load.

# ADR290/ADR291/ADR292

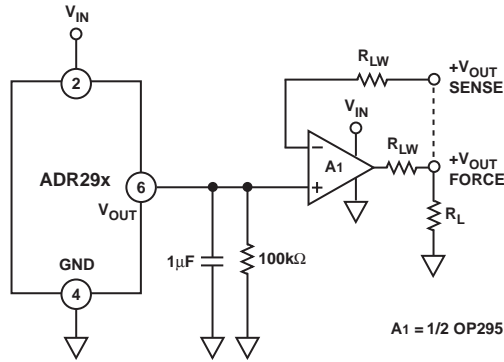


Figure 35. Advantage of Kelvin Connection

## Low Power, Low Voltage Reference For Data Converters

The ADR29x family has a number of features that makes it ideally suited for use with A/D and D/A converters. The low supply voltage required makes it possible to use the ADR29x with today's converters that run on 3 V supplies without having to add a higher supply voltage for the reference. The low quiescent current (12 µA max) and low noise, tight temperature coefficient, combined with the high accuracy of the ADR29x makes it ideal for low power applications such as hand-held, battery operated equipment.

One such ADC for which the ADR291 is well suited is the AD7701. Figure 36 shows the ADR291 used as the reference for this converter. The AD7701 is a 16-bit A/D converter with on-chip digital filtering intended for the measurement of wide dynamic range, low frequency signals such as those representing chemical, physical or biological processes. It contains a charge balancing (sigma-delta) ADC, calibration microcontroller with on-chip static RAM, a clock oscillator and a serial communications port.

This entire circuit runs on ±5 V supplies. The power dissipation of the AD7701 is typically 25 mW and, when combined with the power dissipation of the ADR291 (60 µW), the entire circuit still consumes about 25 mW.

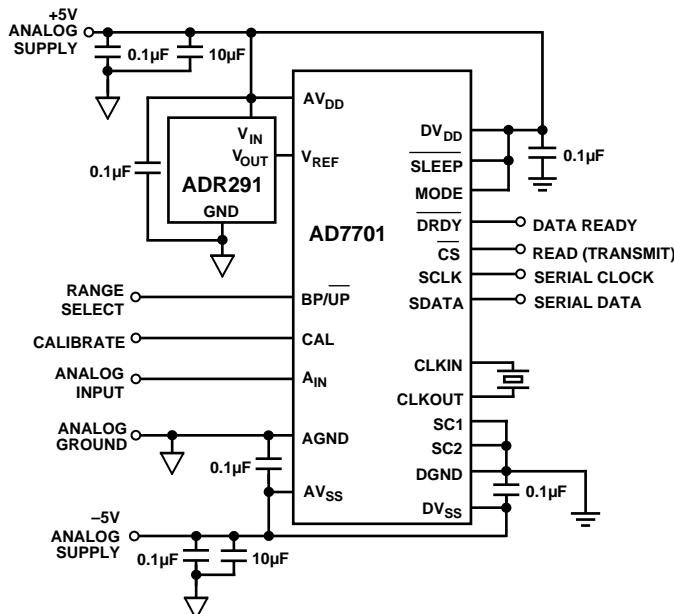
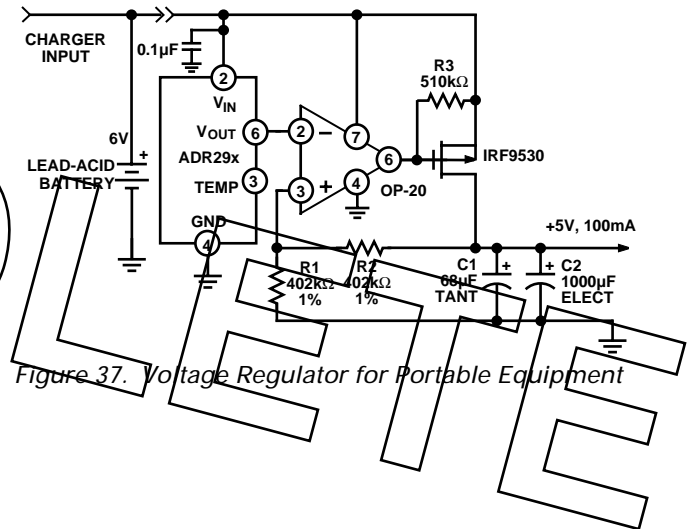


Figure 36. Low Power, Low Voltage Supply Reference for the AD7701

## Voltage Regulator For Portable Equipment

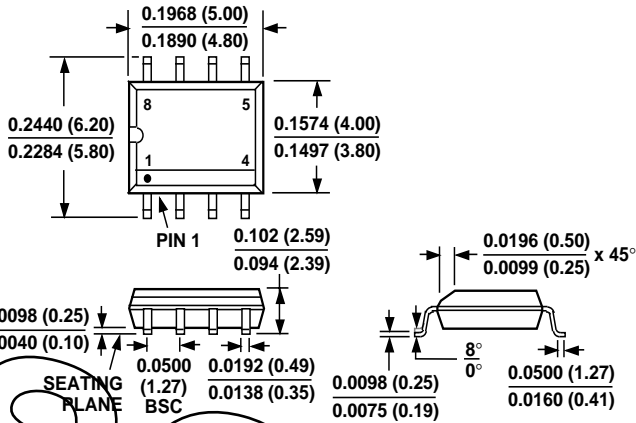
The ADR29x family of references is ideal for providing a stable, low cost and low power reference voltage in portable equipment power supplies. Figure 37 shows how the ADR290/ADR291/ADR292 can be used in a voltage regulator that not only has low output noise (as compared to switch mode design) and low power, but also a very fast recovery after current surges. Some precautions should be taken in the selection of the output capacitors. Too high an ESR (Effective Series Resistance) could endanger the stability of the circuit. A solid tantalum capacitor, 16 V or higher, and an aluminum electrolytic capacitor, 10 V or higher, are recommended for C1 and C2, respectively. Also, the path from the ground side of C1 and C2 to the ground side of R1 should be kept as short as possible.



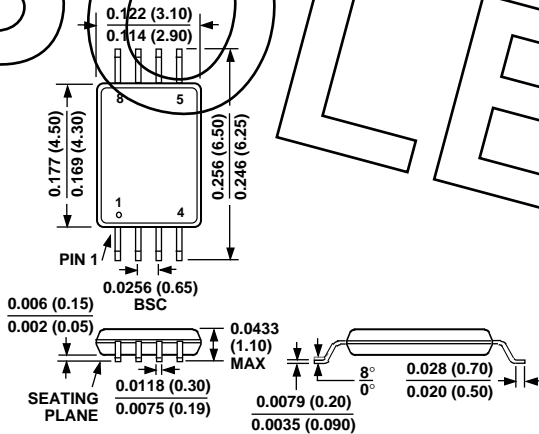
**OUTLINE DIMENSIONS**

Dimensions shown in inches and (mm).

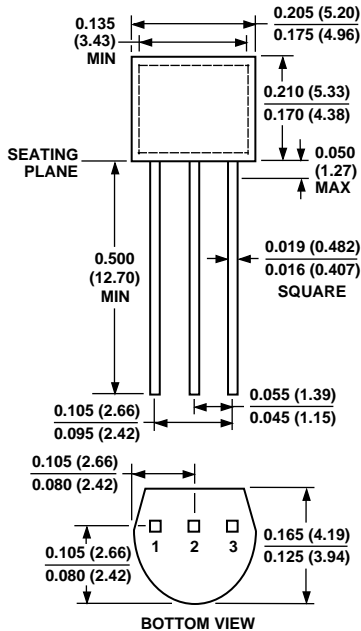
**8-Lead Narrow Body SO (R Suffix)**



**8-Lead TSSOP (R Suffix)**



**3-Pin TO-92 (T9 Suffix)**



OBSOLETE

OBSOLETE