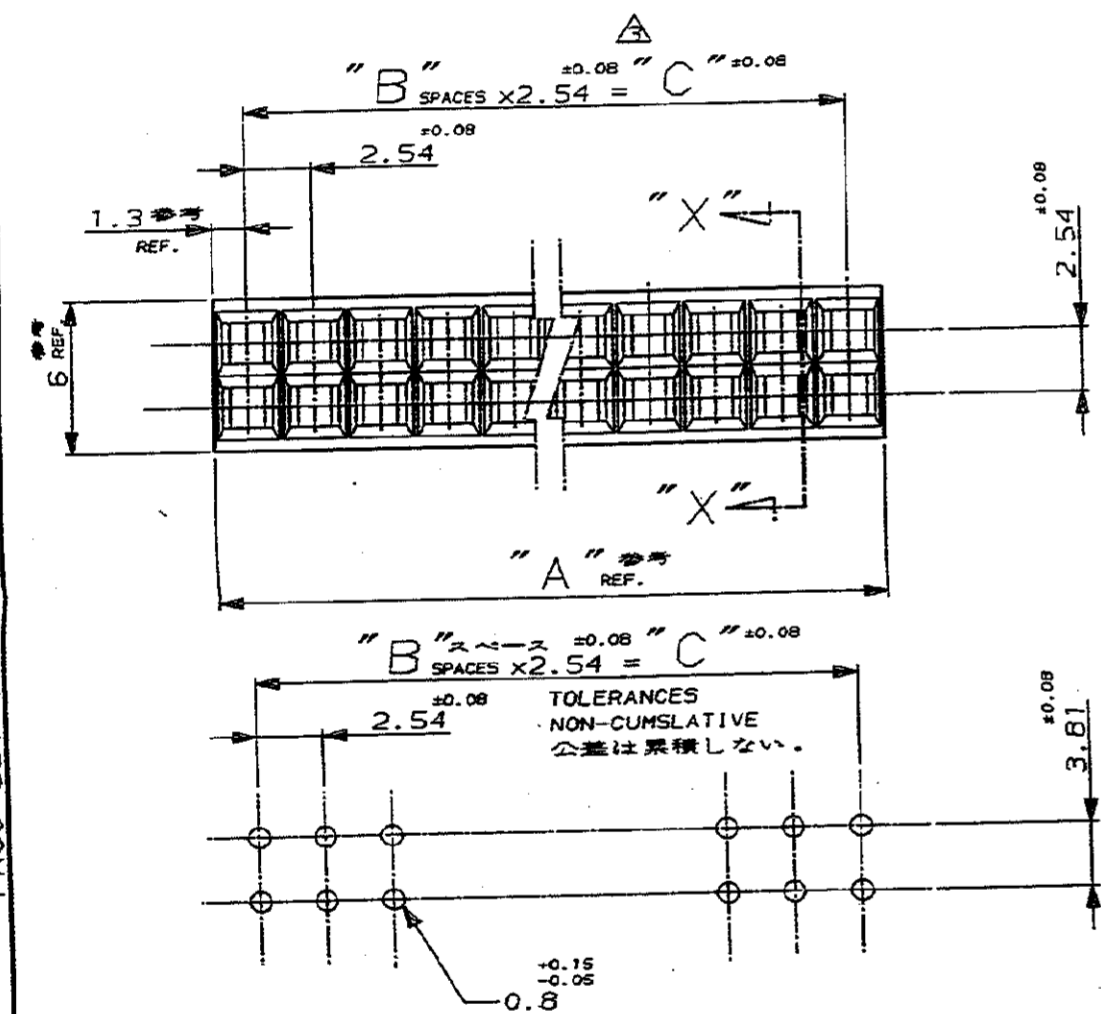
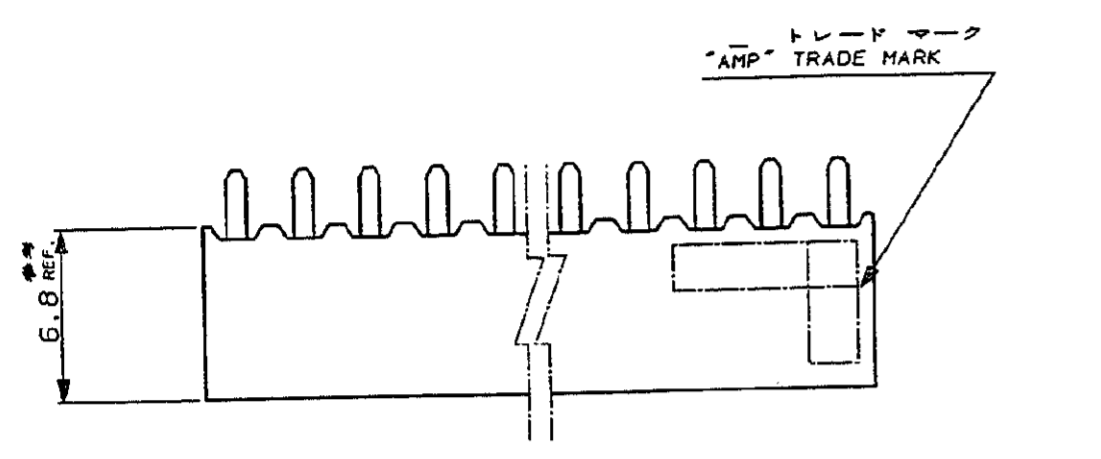


NUMBER C-174007  
METRIC

PROJ 651-105

PRINT DIST  
DIMENSIONS IN MILLIMETERS. DO NOT SCALE PRINT  
REV. 10/83

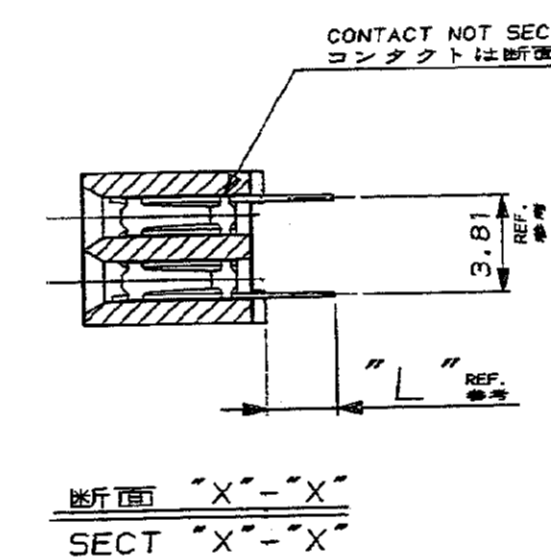


プリント基板推奨取付穴位置  
RECOMMENDED HOLE LAYOUT

- NOTES;
- MATERIAL; HOUSING: THERMOPLASTIC UL94V-0
  - RECEPTACLE CONTACT: PHOSPHOR BRONZE.
  - FINISH; CONTACT POINT: "T" THK GOLD ON NICKEL 0.0013 MIN ALL OVER.
  - SOLDERING AREA: 0.001 MIN TIN-LEAD.
  - THESE DIMENSIONS APPLY TO CAVITY CENTER LINES ONLY, NOT CONTACT LOCATIONS. (TOLERANCES NON-CUMULATIVE)
  - PRODUCT SPEC: 108-5245
  - APPLICATION SPEC: 114-25018

- 注記;
- 材料;ハウジング:熱可塑性ポリエステル樹脂.UL94V-0
  - リセプタクル コントクト:磷青銅
  - 仕上げ;接点部:"T"厚の金めつき.NI下地 0.0013MIN.
  - 半田付部:半田めつき 0.001MIN.
  - これらの寸法は、コンタクトの中心ではなくハウジング穴の中心線で測定する。(公差は累積しない)
  - 4. 製品規格:108-5245
  - 取付通用規格:114-25018

1.6±0.1	30.48	12	33.0	0.0002MIN	2.6	9-	-0
0.3 MAX					1.2	25	-9
	15.24	6	17.8	0.00075MIN		14	-7
				0.0002MIN			-6
				0.0001AVE			-5
1.6±0.1				0.00075MIN	2.6	8-	-4
				0.0002MIN			-3
				0.0001AVE			-2
0.3 MAX	10.16	4	12.7	0.00075MIN	1.2	10	8-174007-1
推奨基板厚 RECOMMENDED P.C. BOARD THK	"C"±0.08	"B"スペース SPACES	"A"参考 REF	"T"金めつき厚 AU THK	"L"参考 REF	極数 POS	型番 P/N



断面 "X"- "X"  
SECT "X"- "X"

	48.26	19	50.8			40	8-	-0
	43.18	17	45.7			36	7-	-9
	40.64	16	43.2			34	7-	-8
	25.40	10	27.9			22	7-	-7
	22.86	9	25.4			20	7-	-6
	17.78	7	20.3			16	7-	-5
	7.62	3	10.2			8	7-	-4
	5.08	2	7.6			6	7-	-3
	2.54	1	5.1			4	7-	-2
			2.5	0.0002MIN		2	7-	-1
	48.26	19	50.8			40	7-	-0
	43.18	17	45.7			36	6-	-9
	40.64	16	43.2			34	6-	-8
	25.40	10	27.9			22	6-	-7
	22.86	9	25.4			20	6-	-6
	17.78	7	20.3			16	6-	-5
	7.62	3	10.2			8	6-	-4
	5.08	2	7.6			6	6-	-3
	2.54	1	5.1			4	6-	-2
			2.5	0.0001AVE	2.6	2	6-	-1
1.6±0.1	48.26	19	50.8			40	6-	-0
	43.18	17	45.7			36	5-	-9
	40.64	16	43.2			34	5-	-8
	25.40	10	27.9			22	5-	-7
	22.86	9	25.4			20	5-	-6
	17.78	7	20.3			16	5-	-5
	7.62	3	10.2			8	5-	-4
	5.08	2	7.6			6	5-	-3
	2.54	1	5.1			4	5-	-2
			2.5	0.0002MIN		2	5-	-1
	48.26	19	50.8			40	5-	-0
	43.18	17	45.7			36	4-	-9
	40.64	16	43.2			34	4-	-8
	25.40	10	27.9			22	4-	-7
	22.86	9	25.4			20	4-	-6
	17.78	7	20.3			16	4-	-5
	7.62	3	10.2			8	4-	-4
	5.08	2	7.6			6	4-	-3
	2.54	1	5.1			4	4-	-2
			2.5	0.0001AVE	1.2	2	4-	-1
0.3 MAX	48.26	19	50.8			40	3-	-3
	22.86	9	25.4			20	3-	-2
1.6±0.1	17.78	7	20.3			16	3-	-1
	48.26	19	50.8			40	2-	-2
	22.86	9	25.4			20	2-	-2
0.3 MAX	17.78	7	20.3			16	2-	-1
	30.48	12	33.0			26	2-	-0
	7.62	3	10.2			8	1-	-9
	2.54	1	5.1			4	1-	-8
			2.5			2	1-	-7
	43.18	17	45.7			36	1-	-6
	40.64	16	43.2			34	1-	-5
	27.94	11	30.5			24	1-	-4
	25.40	10	27.9			22	1-	-3
	12.70	5	15.2			12	1-	-2
1.6±0.1	5.08	2	7.6			6	1-	-1
	30.48	12	33.0			26	1-	-0
	7.62	3	10.2			8		-9
	2.54	1	5.1			4		-8
			2.5			2		-7
	43.18	17	45.7			36		-6
	40.64	16	43.2			34		-5
	27.94	11	30.5			24		-4
	25.40	10	27.9			22		-3
	12.70	5	15.2			12		-2
0.3 MAX	5.08	2	7.6	0.00075MIN	1.2	6		174007-1
推奨基板厚 RECOMMENDED P.C. BOARD THK	"C"±0.08	"B"スペース SPACES	"A"参考 REF	"T"金めつき厚 AU THK	"L"参考 REF	極数 POS	型番 P/N	

© 1988 BY AMP (Japan) LTD. ALL RIGHTS RESERVED.

**AMP** AMP (JAPAN), LTD. Tokyo, Japan

NAME: エコノミー アンパモジュリセプタクル コネクタ  
ECONOMY AMP MODUL RECEPTACLE 3.81 TYPE

GENERAL TOLERANCE: C J

SCALE: 4-1

REV: G1

SHEET: 1 OF 1

DR: I. ENOMOTO  
CHK: S. MANABE  
DATE: 1-21-88

CUSTOMER DRAWING