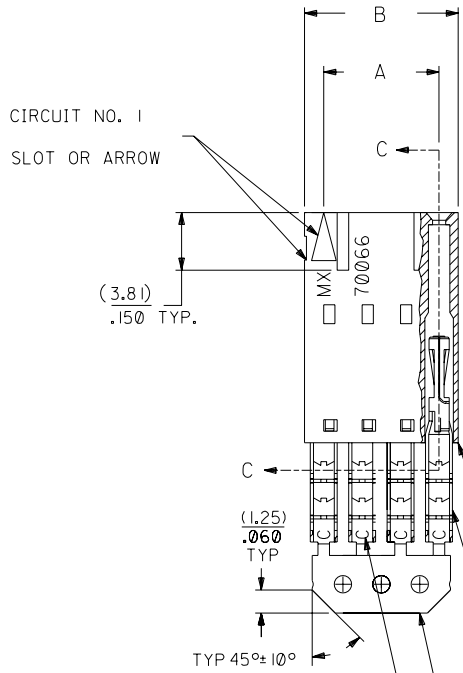
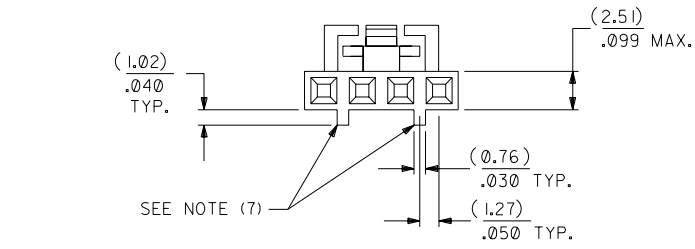


OPTION G

NOTES:

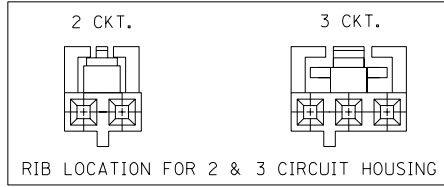
- TO BE USED WITH (28) AWG. STRANDED WIRE WITH (1.35)/.053 DIA. MAX. INSULATION.
- SEE CHART FOR CIRCUIT SIZES.
- STANDARD PACKAGING PER PK-70400-0001. OPTIONAL PACKAGING MAY BE AVAILABLE, REQUEST DWG. PK-70400
- PARTS STACKABLE END TO END ON (2.54)/.100 CENTERS.
- REFER TO PRODUCT SPECIFICATION: PS-70400.
- SEE DWG. SDA-70400-**** (SHT. 5) FOR OPTIONAL HOUSING DETAILS.
- 4 CIRCUIT SHOWN. 4 - 25 CKT'S. HAVE (2) RIBS.
- TO MATE WITH MOLEX PART NO'S.: A-70373-****, A-70375-****, A-70389-****, A-70391-****, 70107-****, 70018-****, A-70543-****, A-70553-****, A-70541-****, A-70551-****, A-70545-****, A-70555-****.
- 2 CIRCUIT ASSEMBLIES SUPPLIED AS GROUPED PAIRS.



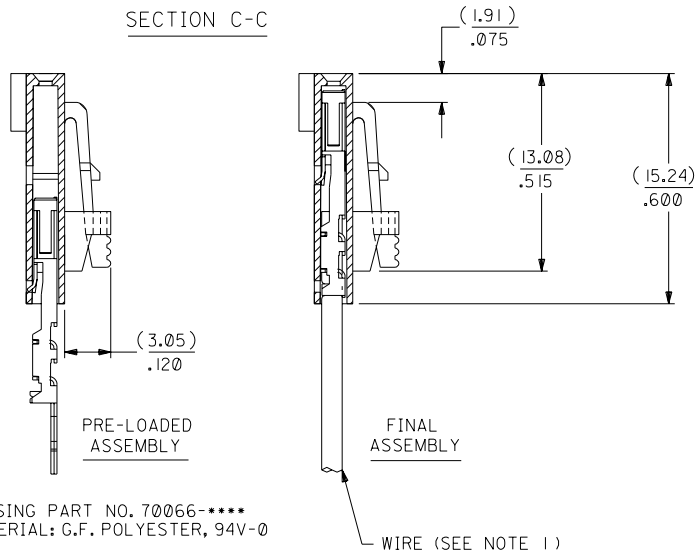
I.D. SLOT CODE TO WIRE GAUGE CHART	
I.D. SLOT CODE	WIRE GAUGE
C	28 AWG.

PLATING CODE (STRIPE ON CARRIER STRIP)	
PLATING	COLOR
30 GOLD	RED

30 GOLD - .000030 MIN. GOLD IN SELECT AREA WITH .000075 MIN. TIN IN SELECT AREA OVER .000050 MIN. NICKEL OVER-ALL. *THE PRIMARY SHIPPING CARTON WILL BE LABELED "COMPLIANT TO ROHS DIRECTIVE 2002/95/EC AND ELV ANNEX II OF DIRECTIVE 2000/53/EC". CARTONS WITHOUT THIS LABEL MAY CONTAIN PRODUCT WITH LEAD.



SECTION C-C



HOUSING PART NO. 70066-****
MATERIAL: G.F. POLYESTER, 94V-0

TERMINAL PART NO. 70028-****
MATERIAL: PHOSPHOR BRONZE
PLATING PER ES-88-***

CKT. SIZE	A	B	EDP. NO.	ENG. NO.
2	(2.54) .100	(5.05) .199	14-56-3023	A-70400-1541
3	(5.08) .200	(7.59) .299	14-56-3033	A-70400-1542
4	(7.62) .300	(10.13) .399	14-56-3043	A-70400-1543
5	(10.16) .400	(12.67) .499	14-56-3053	A-70400-1544
6	(12.70) .500	(15.21) .599	14-56-3063	A-70400-1545
7	(15.24) .600	(17.75) .699	14-56-3073	A-70400-1546
8	(17.78) .700	(20.29) .799	14-56-3083	A-70400-1547
9	(20.32) .800	(22.83) .899	14-56-3093	A-70400-1548
10	(22.86) .900	(25.37) .999	14-56-3103	A-70400-1549
11	(25.54) 1.000	(27.91) 1.099	14-56-3113	A-70400-1550
12	(27.94) 1.100	(30.45) 1.199	14-56-3123	A-70400-1551
13	(30.48) 1.200	(32.99) 1.299	14-56-3133	A-70400-1552
14	(33.02) 1.300	(35.53) 1.399	14-56-3143	A-70400-1553
15	(35.56) 1.400	(38.07) 1.499	14-56-3153	A-70400-1554
16	(38.01) 1.500	(40.61) 1.599	14-56-3163	A-70400-1555
17	(40.64) 1.600	(43.15) 1.699	14-56-3173	A-70400-1556
18	(43.18) 1.700	(45.69) 1.799	14-56-3183	A-70400-1557
19	(45.72) 1.800	(48.23) 1.899	14-56-3193	A-70400-1558
20	(48.26) 1.900	(50.77) 1.999	14-56-3203	A-70400-1559
21	(50.80) 2.000	(53.31) 2.099	14-56-3213	A-70400-1560
22	(53.34) 2.100	(55.85) 2.199	14-56-3223	A-70400-1561
23	(55.88) 2.200	(58.39) 2.299	14-56-3233	A-70400-1562
24	(58.42) 2.300	(60.93) 2.399	14-56-3243	A-70400-1563
25	(60.96) 2.400	(63.47) 2.499	14-56-3253	A-70400-1564

LTR.	REVISIONS	LTR.	REVISIONS

DIMENSIONS SHOWN (METRIC) INCH UNLESS OTHERWISE SPECIFIED TOLERANCES: ANGULAR ± 1/2°		
3 PLACE	INCH	METRIC
± .010	---	---
± .014	± 0.25	---
---	± 0.35	---

REVISE ONLY ON CAD SYSTEM	
TITLE	ASSEMBLY, SL CONNECTOR (SINGLE ROW- (2.54)/.100 GRID)
MOLEX INCORPORATED LITSE, ILL. 60532 U.S.A.	SHEET NO. 10 / 11/4 DATE
PART NO. SDA-70400-1541-1564	DRWG. NO.
SEE CHART	
FILE NAME: S70400GX9	THIS DRAWING CONTAINS INFORMATION THAT IS PROPRIETARY TO MOLEX INC. AND SHOULD NOT BE USED WITHOUT WRITTEN PERMISSION.
DRWG. BY: WAZ	CHK'D BY: WAZ
APP'D BY:	SCALE: 4:1
	DIV. DA