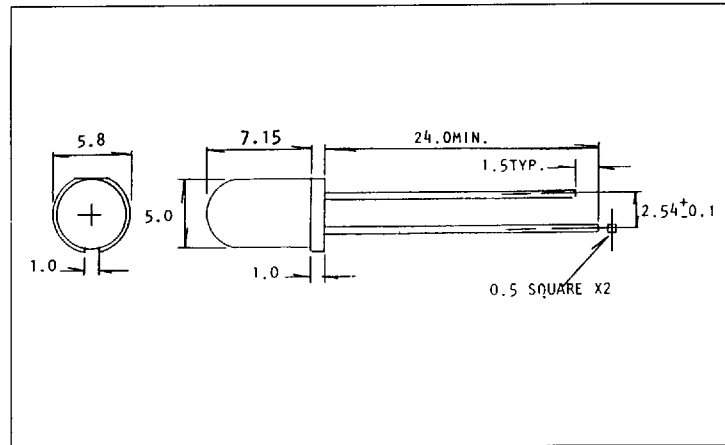


Standard T-1 3/4 LED Lamps

FEATURES

- Excellent on/off contrast ratio
- Clear or diffused lens
- Product also available with standoffs



MAXIMUM RATINGS (Ta = 25°C)

| PART NO. | FORWARD CURRENT (I _F) (mA) | REVERSE VOLTAGE (V _R) (V) | POWER DISSIPATION (P _D) (mW) | OPERATING TEMPERATURE (T _{opr}) (°C) | STORAGE TEMPERATURE (T _{stg}) (°C) |
|------------|--|---------------------------------------|--|--|--|
| MT130-SLR | 30 | 5 | 85 | -25~+85 | -25~+100 |
| MT130-SLG | 30 | 5 | 85 | -25~+85 | -25~+100 |
| MT130-SLY | 30 | 5 | 85 | -25~+85 | -25~+100 |
| MT130-SLO | 30 | 5 | 85 | -25~+85 | -25~+100 |
| MT130-SLHR | 30 | 5 | 85 | -25~+85 | -25~+100 |
| MT130-SLUR | 30 | 4 | 70 | -25~+85 | -25~+100 |
| MT140-SLR | 30 | 5 | 85 | -25~+85 | -25~+100 |
| MT140-SLG | 30 | 5 | 85 | -25~+85 | -25~+100 |
| MT140-SLY | 30 | 5 | 85 | -25~+85 | -25~+100 |
| MT140-SLO | 30 | 5 | 85 | -25~+85 | -25~+100 |
| MT140-SLHR | 30 | 5 | 85 | -25~+85 | -25~+100 |
| MT140-SLUR | 30 | 4 | 70 | -25~+85 | -25~+100 |

OPTO-ELECTRICAL CHARACTERISTICS (Ta = 25°C)

| PART NO. | MATERIAL | LENS COLOR | VIEWING ANGLE | LUMINOUS INTENSITY (mcd) | | | FORWARD VOLTAGE (V) | | | REVERSE CURRENT | | PEAK WAVELENGTH (nm) |
|------------|-----------|--------------|---------------|--------------------------|-------|----------|---------------------|----------|----|-----------------|---|----------------------|
| | | | | typ. | min. | typ. @mA | typ. | max. @mA | μA | Vr | | |
| MT130-SLR | GaP/GaP | Red Clear | 50° | 2.0 | 6.0 | 10 | 2.1 | 3.0 | 20 | 100 | 5 | 700 |
| MT130-SLG | GaP/GaP | Green Clear | 50° | 12.0 | 30.0 | 10 | 2.1 | 3.0 | 20 | 100 | 5 | 567 |
| MT130-SLY | GaAsP/GaP | Yellow Clear | 50° | 9.5 | 25.0 | 10 | 2.1 | 3.0 | 20 | 100 | 5 | 585 |
| MT130-SLO | GaAsP/GaP | Orange Clear | 50° | 13.5 | 35.0 | 10 | 2.1 | 3.0 | 20 | 100 | 5 | 635 |
| MT130-SLHR | GaAsP/GaP | Red Clear | 50° | 13.5 | 35.0 | 10 | 2.1 | 3.0 | 20 | 100 | 5 | 635 |
| MT130-SLUR | GaAlAs | Red Clear | 50° | 96.0 | 239.0 | 10 | 1.7 | 2.2 | 20 | 100 | 4 | 660 |
| MT140-SLR | GaP/GaP | Red Diff | 80° | 0.5 | 2.0 | 10 | 2.1 | 3.0 | 20 | 100 | 5 | 700 |
| MT140-SLG | GaP/GaP | Green Diff | 80° | 3.5 | 9.0 | 10 | 2.1 | 3.0 | 20 | 100 | 5 | 567 |
| MT140-SLY | GaAsP/GaP | Yellow Diff | 80° | 2.5 | 7.5 | 10 | 2.1 | 3.0 | 20 | 100 | 5 | 585 |
| MT140-SLO | GaAsP/GaP | Orange Diff | 80° | 4.0 | 10.5 | 10 | 2.1 | 3.0 | 20 | 100 | 5 | 635 |
| MT140-SLHR | GaAsP/GaP | Red Diff | 80° | 4.0 | 10.5 | 10 | 2.1 | 3.0 | 20 | 100 | 5 | 635 |
| MT140-SLUR | GaAlAs | Red Diff | 80° | 44.0 | 73.0 | 10 | 1.7 | 2.2 | 20 | 100 | 4 | 660 |



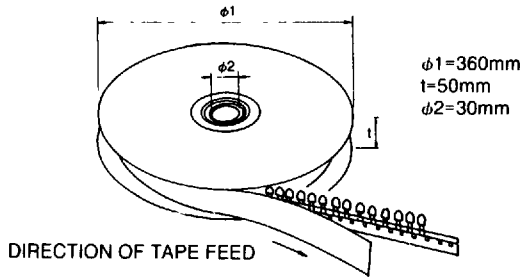
marktech

5 Hemlock Street • Latham, New York • (518) 786-6591 • FAX (518) 786-6599

APPLICATION NOTES

[4] Packaging Reel Packaging

a) Reel type



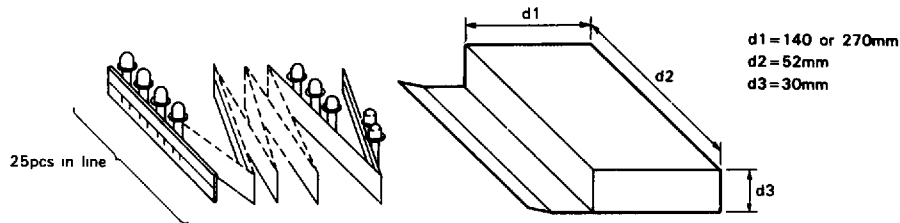
Content

| LED Type | Quantity/Reel |
|-----------------|---------------|
| $\phi 3$ Series | 2000 pcs |
| $\phi 5$ Series | 1000 pcs |

T-1 and T- 1 3/4 packages

*Lamps with external shapes other than those above are also available. Please consult Marktech.

b) Zigzag wound tape



At tape beginning and end, there is additional space for 4 pcs or more

Content

| LED Type | Quantity/Box |
|-----------------|------------------|
| $\phi 3$ Series | 2000 or 5000 pcs |
| $\phi 5$ Series | 1000 or 2000 pcs |



marktech

5 Hemlock Street • Latham, New York • (518) 786-6591 • FAX (518) 786-6599