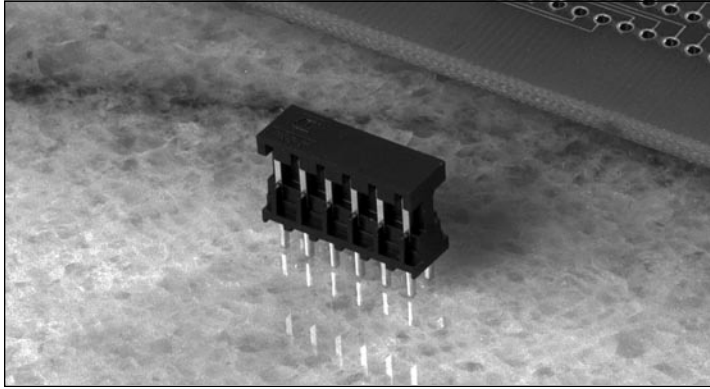


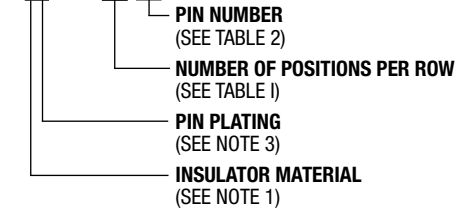
.100" (2.54mm) Dual Row, Through Hole, Vertical Zero Height Header



9100 SERIES ("POST/BOXE")

PART NUMBER LEGEND

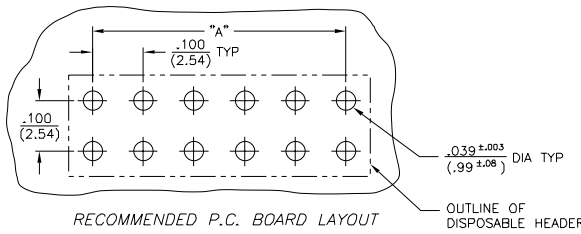
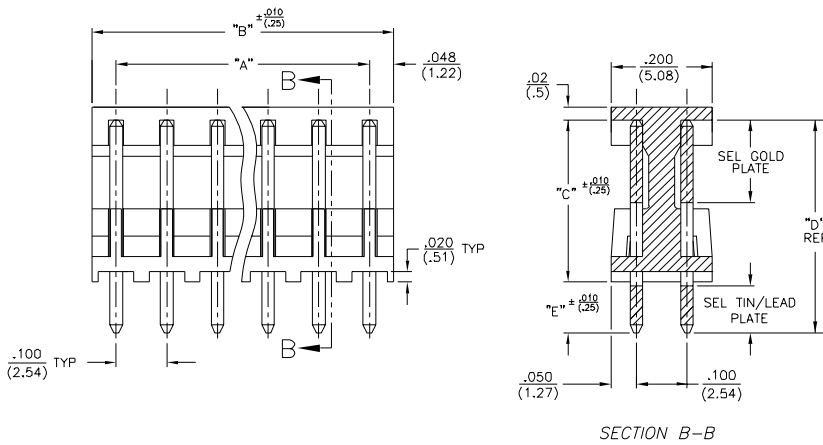
910X-61-2XX-XX



MATING CONNECTORS: 9000 SERIES

NOTES:

- INSULATOR MAT'L: GLASS REINFORCED POLYESTER (PCT), UL 94V-0; COLOR: BLACK
- PIN MAT'L: PHOSPHOR BRONZE
- PIN FINISH:
 - 9100 - TIN/LEAD OVER NICKEL PLATE.
 - 9102 - $\frac{.00015}{(.00038)}$ GOLD OVER $\frac{.00050}{(.00127)}$ NICKEL PLATE.
 - 9108 - $\frac{.00030}{(.00076)}$ SEL GOLD PLATING AS INDICATED OVER $\frac{.00030}{(.00127)}$ NICKEL PLATE ALL OVER; $\frac{.002}{(.005)}$ MIN TIN/LEAD PLATING ON SOLDER TAIL.
 - 910F - $\frac{.00015}{(.00038)}$ SEL GOLD PLATING AS INDICATED OVER $\frac{.00030}{(.00127)}$ NICKEL PLATE ALL OVER; $\frac{.002}{(.005)}$ MIN TIN/LEAD PLATING ON SOLDER TAIL.
- ALL DIMENSIONS ARE IN IN/(MM).



PART NUMBER	NO. OF PINS	DIM "A"	DIM "B"
910X-61-202-XX	4	.100 (2.54)	.195 (4.95)
-203-	6	.200 (5.08)	.295 (7.49)
-204-	8	.300 (7.62)	.395 (10.03)
-205-	10	.400 (10.16)	.495 (12.57)
-206-	12	.500 (12.70)	.595 (15.11)
-207-	14	.600 (15.24)	.695 (17.65)
-208-	16	.700 (17.78)	.795 (20.19)
-209-	18	.800 (20.32)	.895 (22.73)
-210-	20	.900 (22.86)	.995 (25.27)
-211-	22	1.000 (25.40)	1.095 (27.81)
-212-	24	1.100 (27.94)	1.195 (30.35)
-213-	26	1.200 (30.48)	1.295 (32.89)
-214-	28	1.300 (33.02)	1.395 (35.43)
-215-	30	1.400 (35.56)	1.495 (37.97)
-216-	32	1.500 (38.10)	1.595 (40.51)
-217-	34	1.600 (40.64)	1.695 (43.05)
-218-	36	1.700 (43.18)	1.795 (45.59)
-219-	38	1.800 (45.72)	1.895 (48.13)
-220-	40	1.900 (48.26)	1.995 (50.67)
-221-	42	2.000 (50.80)	2.095 (53.21)
-222-	44	2.100 (53.34)	2.195 (55.75)
-223-	46	2.200 (55.88)	2.295 (58.29)
-224-	48	2.300 (58.42)	2.395 (60.83)
910X-61-225-XX	50	2.400 (60.96)	2.495 (63.37)

PART NUMBER	DIM "C"	DIM "D"	DIM "E"
910X-61-2XX-01	.320 (8.13)	.440 (11.18)	.120 (3.05)
910X-61-2XX-02	.230 (5.84)	.340 (8.64)	.110 (2.79)
910X-61-2XX-03	.285 (7.24)	.390 (9.91)	.105 (2.67)



North and South America:
Methode Electronics, Inc. Connector Products
 1700 Hicks Road • Rolling Meadows, IL 60008 USA
 847-392-3500 • Toll Free: 800-323-6864 • Fax: 847-392-9404
 Email: info@methode.com • Web: www.methode.com/connector/index.html

Europe:
Methode Electronics Ireland, Ltd.
 Unit H, Crossagalla Business Park, Ballysimon Rd. • Limerick, Ireland
 +353 (0) 61 401222 • Fax: +353 (0) 61 401942
 Email: info@methode.ie • Web: ireland.methode.com/main.html

Far East:
Methode Electronics Far East, Pte. Ltd.
 1 Tuas Lane, Jurong Town • Singapore 638610
 65-68615444 • Fax: 65-68614777
 Email: sales@methode.com.sg • Web: www.methode.com/mefe/index.html