



Data Display Products®

T-1³/₄ PCB MOUNT LEDS

Arrays

- 20mA, Low Power, or Bi-Color Operation
- For Detailed LED Data, See Discrete Section, MODEL 200

Model		LED					
		Color	λ_{pk} (nm)	$I_v^{[2]}$ (mcd)	Tint ^[3]		
PCLR200N ^[1]	Right Angle Variable Array	-ER	RED	660	30	D	
	PCLR2004	Right Angle Four LED Array	-ECR	RED	660	160	C
		-EWR	RED	660	160	W	
		-BR	RED	635	14	D	
		-BCR	RED	635	120	C	
		-NWR	RED	635	900	W	
		-NWO	ORG	609	1,300	W	
		-EA	ORG	605	24	D	
		-ECA	ORG	605	90	C	
		-EWA	ORG	605	90	W	
		-NWA	AMB	592	1,300	W	
		-BA	AMB	583	16	D	
		-BCA	AMB	583	100	C	
		-EAY	AMB	580	24	D	
		-ECAY	AMB	580	90	C	
		-EWAY	AMB	580	90	W	
		-EY	YEL	570	45	D	
		-ECY	YEL	570	160	C	
		-EWY	YEL	570	160	W	
		-BG	GRN	565	10	D	
		-BCG	GRN	565	140	C	
		-EG	GRN	555	12	D	
		-ECG	GRN	555	80	C	
		-EWG	GRN	555	80	W	
		<i>Specialty LEDs</i>				<i>Description</i>	
		-RLP	RED	635	2.3	D	Low Power
		-ALP	AMB	583	2.1	D	Low Power
		-GLP	GRN	565	2.3	D	Low Power
		-LRG ^[4]	R/G	660/565	70/32	D	Bi-Color, Green Cathode

- [1] Replace N with number of LEDs in the array, 2 - 4 (e.g. PCLR2003).
- [2] I_v = typical luminous intensity @ $I_f = 20mA$ ($T_a = 25^\circ C$), Low Power LEDs @ $I_f = 2mA$.
- [3] D = Diffused, C = Clear tinted, W = Water Clear.
- [4] Left lead = Green cathode.

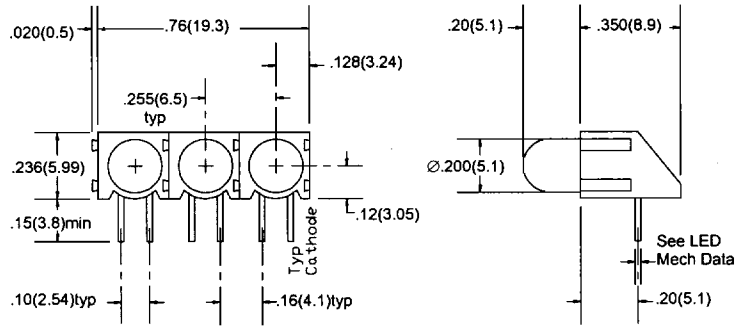
To Order: Select one **BOLD** component from each SHADED column in the table.
Example: Part Number PCLR2003-BCR:

Model	LED
PCLR2003	-BCR

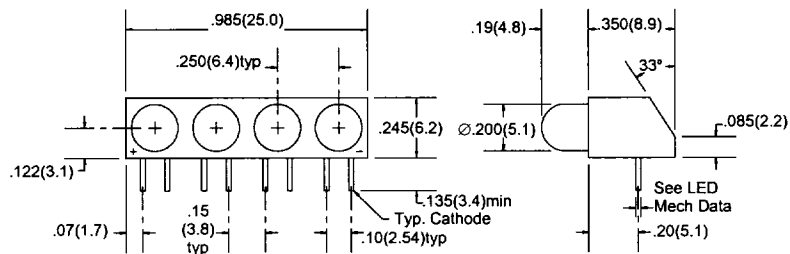


Data Display Products®

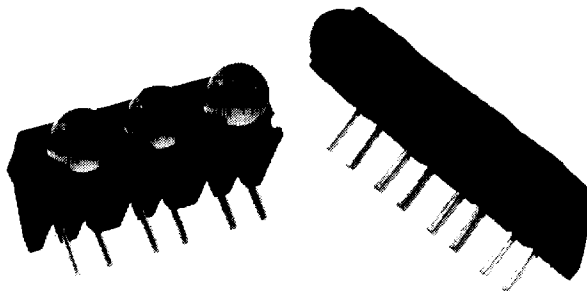
T-1³/₄ PCB MOUNT LEDs Arrays



PCLR2003



PCL2004



All dimensions are in inches(mm)
Tolerances: .xx"(.x) ±.025"(.63) / .xxx"(.xx) ±.010"(.25)
Specifications are subject to change without notice.