

SPECIFICATIONS

Mechanical

Mating Force: 7.72kgf (16.17Lb) max.
Umating Force: 0.45kg (0.94Lb) min.
Durability: 500 Cycles

Electrical

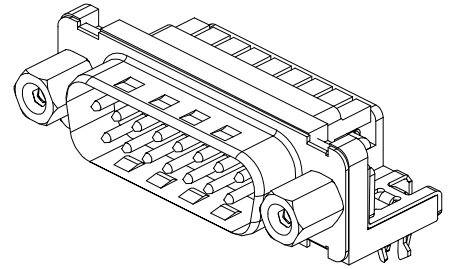
Current Rating: 2A
Contact Resistance: 35mΩ
Dielectric Withstanding Voltage: 1000V AC/1min min.
Insulation Resistance: 5000MΩ min.

Physical

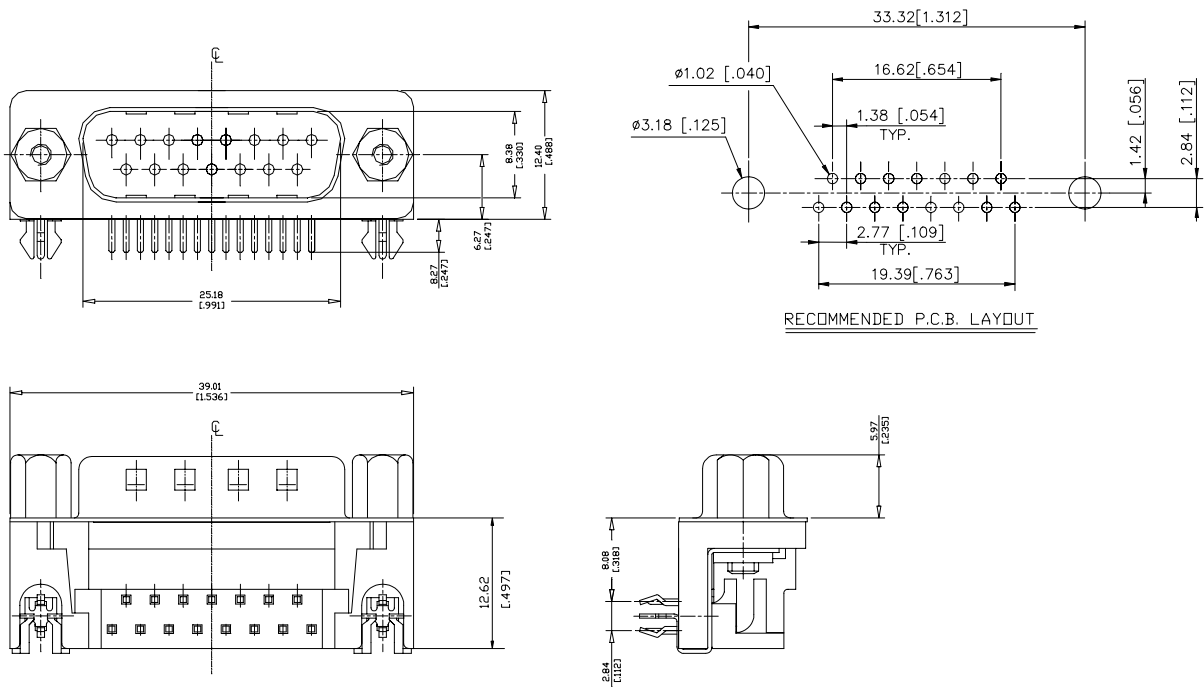
Housing: Thermoplastic, UL 94V-0 rated in Black Color
Contact: Copper alloy
Plating: See "ORDERING INFORMATION"
Operating Temperature: -55 to +105

D-SUB Connector

DM Series
Right Angle Type, T/H
2.77mm [.109"] Pitch
15 Pos.



DRAWING



ORDERING INFORMATION

PRODUCT NO.: DM 1 0 2 2 * - D5 - 4F

D-SUB Series ————
Termination Type ————
1=Right Angle
Contact Design Type ————
0=Male
No. of Pos. ————
2=15 Pos.
Body Length ————
2=8.08

Lead Free Code ————
Extension Code ————
Contact Area Plating ————
3=30m" Gold