



64 Kbit (8Kb x 8) ZEROPOWER® SRAM

- INTEGRATED ULTRA LOW POWER SRAM, POWER-FAIL CONTROL CIRCUIT and BATTERY
- READ CYCLE TIME EQUALS WRITE CYCLE TIME
- AUTOMATIC POWER-FAIL CHIP DESELECT and WRITE PROTECTION
- WRITE PROTECT VOLTAGES (V_{PFD} = Power-fail Deselect Voltage):
 - M48Z58: $4.50\text{V} \leq V_{\text{PFD}} \leq 4.75\text{V}$
 - M48Z58Y: $4.20\text{V} \leq V_{\text{PFD}} \leq 4.50\text{V}$
- SELF-CONTAINED BATTERY in the CAPHAT DIP PACKAGE
- PACKAGING INCLUDES a 28-LEAD SOIC and SNAPHAT® TOP (to be Ordered Separately)
- SOIC PACKAGE PROVIDES DIRECT CONNECTION for a SNAPHAT TOP which CONTAINS the BATTERY and CRYSTAL
- PIN and FUNCTION COMPATIBLE with JEDEC STANDARD 8K x 8 SRAMs

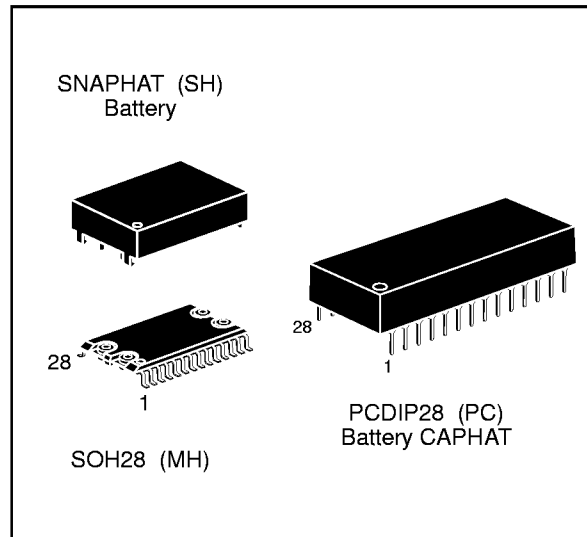
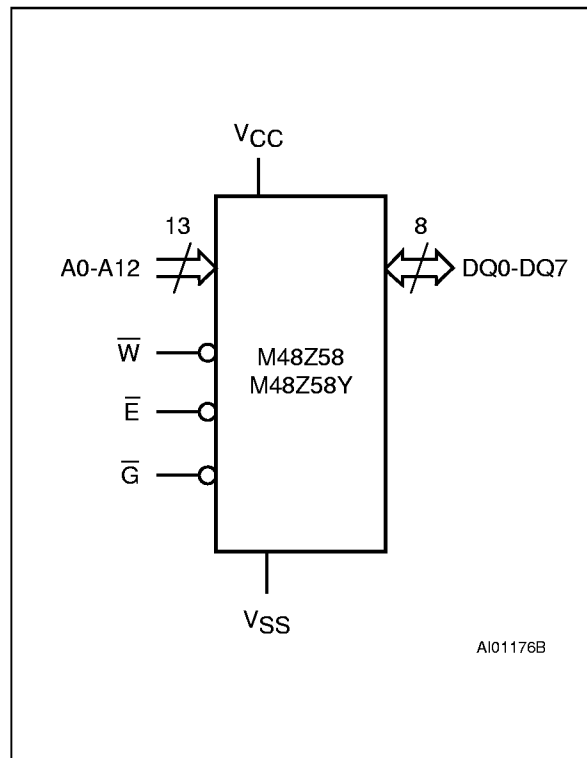


Figure 1. Logic Diagram



DESCRIPTION

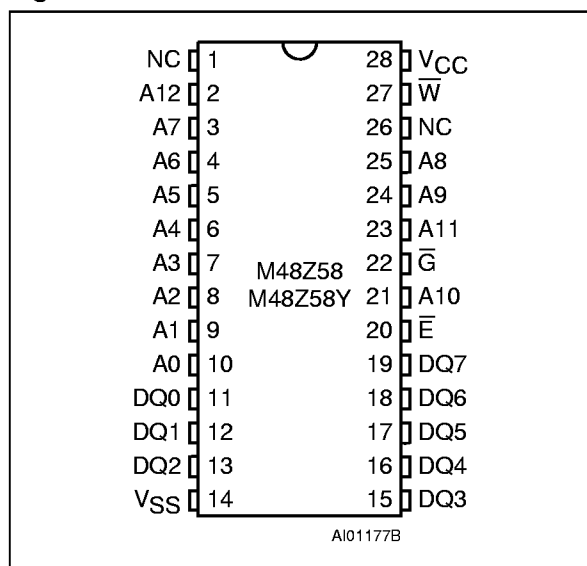
The M48Z58/58Y ZEROPOWER® RAM is an 8K x 8 non-volatile static RAM that integrates power-fail deselect circuitry and battery control logic on a single die. The monolithic chip is available in two special packages to provide a highly integrated battery backed-up memory solution.

Table 1. Signal Names

| | |
|-----------------|-----------------------|
| A0-A12 | Address Inputs |
| DQ0-DQ7 | Data Inputs / Outputs |
| \bar{E} | Chip Enable |
| \bar{G} | Output Enable |
| \bar{W} | Write Enable |
| V _{CC} | Supply Voltage |
| V _{SS} | Ground |

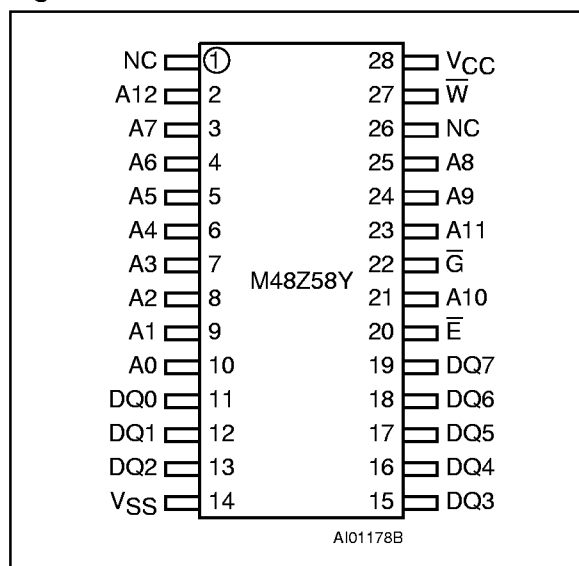
M48Z58, M48Z58Y

Figure 2A. DIP Pin Connections



Warning: NC = Not Connected.

Figure 2B. SOIC Pin Connections



Warning: NC = Not Connected.

Table 2. Absolute Maximum Ratings ⁽¹⁾

| Symbol | Parameter | Value | Unit |
|-----------------|---|----------------------|------|
| T_A | Ambient Operating Temperature Grade 1 Grade 6 | 0 to 70 -40 to 85 | °C |
| T_{STG} | Storage Temperature (V_{CC} Off) | -40 to 85 | °C |
| $T_{SLD}^{(2)}$ | Lead Solder Temperature for 10 seconds | 260 | °C |
| V_{IO} | Input or Output Voltages | -0.3 to 7 | V |
| V_{CC} | Supply Voltage | -0.3 to 7 | V |
| I_O | Output Current | 20 | mA |
| P_D | Power Dissipation | 1 | W |

Notes: 1. Stresses greater than those listed under "Absolute Maximum Ratings" may cause permanent damage to the device. This is a stress rating only and functional operation of the device at these or any other conditions above those indicated in the operational section of this specification is not implied. Exposure to the absolute maximum rating conditions for extended periods of time may affect reliability.

2. Soldering temperature not to exceed 260°C for 10 seconds (total thermal budget not to exceed 150°C for longer than 30 seconds).

CAUTION: Negative undershoots below -0.3 volts are not allowed on any pin while in the Battery Back-up mode.

CAUTION: Do NOT wave solder SOIC to avoid damaging SNAPHAT sockets.

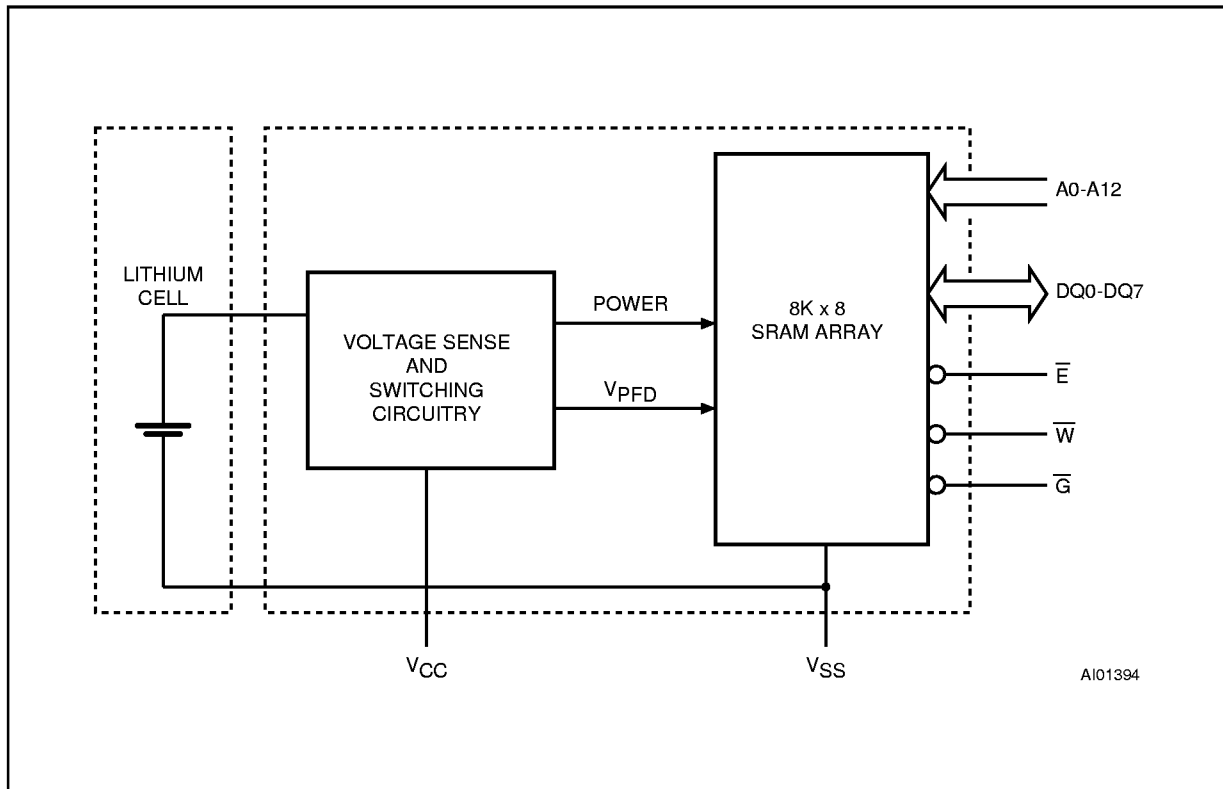
Table 3. Operating Modes ⁽¹⁾

| Mode | V_{CC} | \bar{E} | \bar{G} | \bar{W} | DQ0-DQ7 | Power |
|----------|--|-----------|-----------|-----------|-----------|----------------------|
| Deselect | 4.75V to 5.5V or 4.5V to 5.5V | V_{IH} | X | X | High Z | Standby |
| Write | | V_{IL} | X | V_{IL} | D_{IN} | Active |
| Read | | V_{IL} | V_{IL} | V_{IH} | D_{OUT} | Active |
| Read | | V_{IL} | V_{IH} | V_{IH} | High Z | Active |
| Deselect | V_{SO} to V_{PFD} (min) ⁽²⁾ | X | X | X | High Z | CMOS Standby |
| Deselect | $\leq V_{SO}$ | X | X | X | High Z | Battery Back-up Mode |

Notes: 1. X = V_{IH} or V_{IL} ; V_{SO} = Battery Back-up Switchover Voltage.

2. See Table 7 for details.

Figure 3. Block Diagram



DESCRIPTION (cont'd)

The M48Z58/58Y is a non-volatile pin and function equivalent to any JEDEC standard 8K x 8 SRAM. It also easily fits into many ROM, EPROM, and EEPROM sockets, providing the non-volatility of PROMs without any requirement for special write timing or limitations on the number of writes that can be performed.

The 28 pin 600mil DIP CAPHAT™ houses the M48Z58/58Y silicon with a long life lithium button cell in a single package.

The 28 pin 330mil SOIC provides sockets with gold plated contacts at both ends for direct connection to a separate SNAPHAT housing containing the battery. The unique design allows the SNAPHAT battery package to be mounted on top of the SOIC package after the completion of the surface mount process. Insertion of the SNAPHAT housing after reflow prevents potential battery damage due to the high temperatures required for device surface-mounting. The SNAPHAT housing is keyed to prevent reverse insertion.

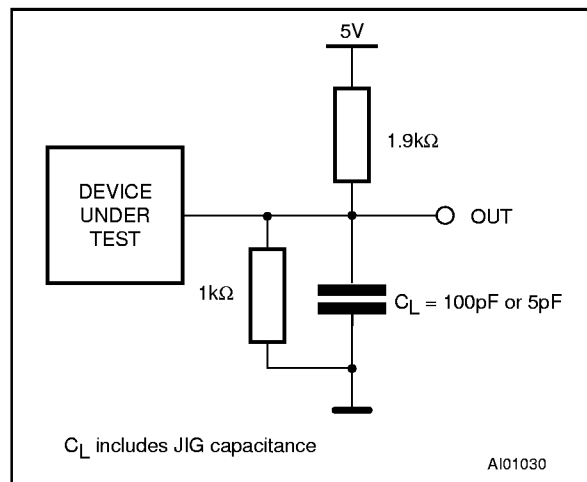
The SOIC and battery packages are shipped separately in plastic anti-static tubes or in Tape & Reel form.

Table 4. AC Measurement Conditions

| | |
|---------------------------------------|---------|
| Input Rise and Fall Times | ≤ 5ns |
| Input Pulse Voltages | 0 to 3V |
| Input and Output Timing Ref. Voltages | 1.5V |

Note that Output Hi-Z is defined as the point where data is no longer driven.

Figure 4. AC Testing Load Circuit



M48Z58, M48Z58Y

Table 5. Capacitance (1, 2)
($T_A = 25\text{ }^\circ\text{C}$)

| Symbol | Parameter | Test Condition | Min | Max | Unit |
|----------------|----------------------------|----------------|-----|-----|------|
| C_{IN} | Input Capacitance | $V_{IN} = 0V$ | | 10 | pF |
| $C_{IO}^{(3)}$ | Input / Output Capacitance | $V_{OUT} = 0V$ | | 10 | pF |

Notes: 1. Effective capacitance measured with power supply at 5V.
2. Sampled only, not 100% tested.
3. Outputs deselected.

Table 6. DC Characteristics
($T_A = 0\text{ to }70\text{ }^\circ\text{C}$ or $-40\text{ to }85\text{ }^\circ\text{C}$; $V_{CC} = 4.75V\text{ to }5.5V$ or $4.5V\text{ to }5.5V$)

| Symbol | Parameter | Test Condition | Min | Max | Unit |
|-----------|-------------------------------|-------------------------------|------|----------------|---------|
| I_{LI} | Input Leakage Current | $0V \leq V_{IN} \leq V_{CC}$ | | ± 1 | μA |
| I_{LO} | Output Leakage Current | $0V \leq V_{OUT} \leq V_{CC}$ | | ± 5 | μA |
| I_{CC} | Supply Current | Outputs open | | 50 | mA |
| I_{CC1} | Supply Current (Standby) TTL | $\bar{E} = V_{IH}$ | | 3 | mA |
| I_{CC2} | Supply Current (Standby) CMOS | $\bar{E} = V_{CC} - 0.2V$ | | 3 | mA |
| V_{IL} | Input Low Voltage | | -0.3 | 0.8 | V |
| V_{IH} | Input High Voltage | | 2.2 | $V_{CC} + 0.3$ | V |
| V_{OL} | Output Low Voltage | $I_{OL} = 2.1mA$ | | 0.4 | V |
| V_{OH} | Output High Voltage | $I_{OH} = -1mA$ | 2.4 | | V |

Table 7. Power Down/Up Trip Points DC Characteristics (1)
($T_A = 0\text{ to }70\text{ }^\circ\text{C}$ or $-40\text{ to }85\text{ }^\circ\text{C}$)

| Symbol | Parameter | Min | Typ | Max | Unit |
|----------------|---|-----|------|------|-------|
| V_{PFD} | Power-fail Deselect Voltage (M48Z58/58Y) | 4.5 | 4.6 | 4.75 | V |
| V_{PFD} | Power-fail Deselect Voltage (M48Z58/58YY) | 4.2 | 4.35 | 4.5 | V |
| V_{SO} | Battery Back-up Switchover Voltage | | 3.0 | | V |
| $t_{DR}^{(2)}$ | Expected Data Retention Time | 10 | | | YEARS |

Notes: 1. All voltages referenced to V_{SS} .
2. At $25\text{ }^\circ\text{C}$

DESCRIPTION (cont'd)

For the 28 lead SOIC, the battery package (i.e. SNAPHAT) part number is "M4Z28-BR00SH1".

The M48Z58/58Y also has its own Power-fail Detect circuit. The control circuitry constantly monitors the single 5V supply for an out of tolerance condi-

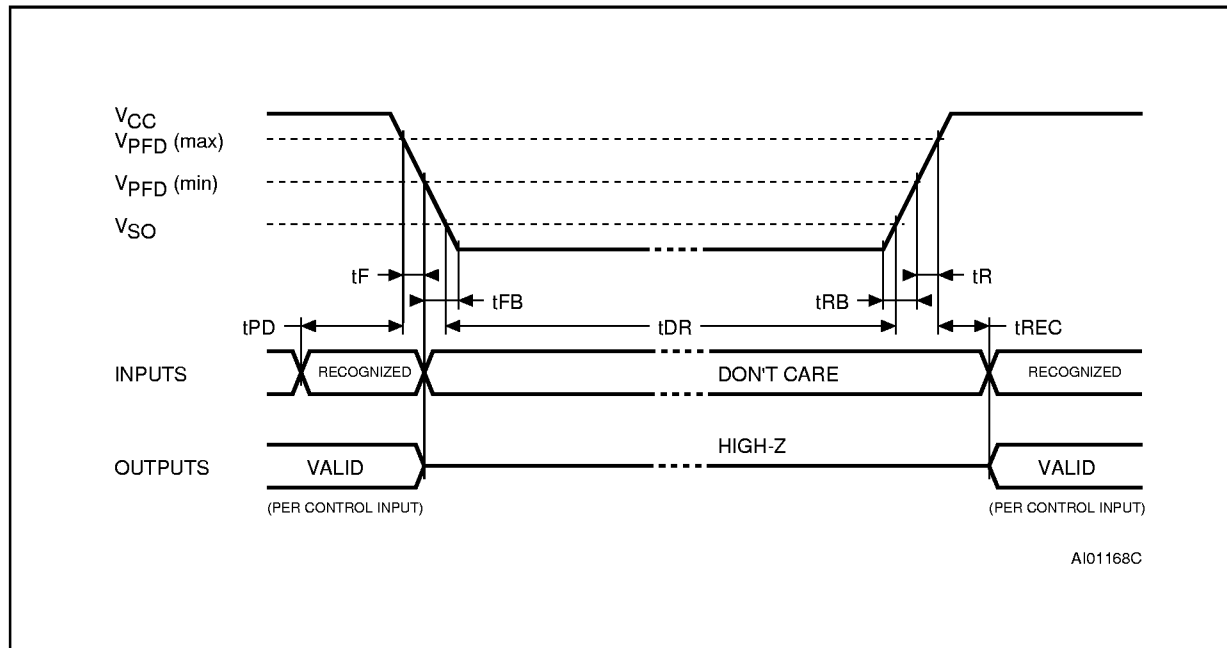
tion. When V_{CC} is out of tolerance, the circuit write protects the SRAM, providing a high degree of data security in the midst of unpredictable system operation brought on by low V_{CC} . As V_{CC} falls below approximately 3V, the control circuitry connects the battery which maintains data until valid power returns.

Table 8. Power Down/Up Mode AC Characteristics
($T_A = 0$ to 70°C or -40 to 85°C)

| Symbol | Parameter | Min | Max | Unit |
|-----------------|---|-----|-----|---------------|
| t_{PD} | \overline{E} or \overline{W} at V_{IH} before Power Down | 0 | | μs |
| $t_F^{(1)}$ | $V_{PFD}(\text{max})$ to $V_{PFD}(\text{min})$ V_{CC} Fall Time | 300 | | μs |
| $t_{FB}^{(2)}$ | $V_{PFD}(\text{min})$ to V_{SS} V_{CC} Fall Time | 10 | | μs |
| t_R | $V_{PFD}(\text{min})$ to $V_{PFD}(\text{max})$ V_{CC} Rise Time | 10 | | μs |
| t_{RB} | V_{SS} to $V_{PFD}(\text{min})$ V_{CC} Rise Time | 1 | | μs |
| $t_{REC}^{(3)}$ | $V_{PFD}(\text{max})$ to Inputs Recognized | 40 | 200 | ms |

Notes: 1. $V_{PFD}(\text{max})$ to $V_{PFD}(\text{min})$ fall time of less than t_F may result in deselection/write protection not occurring until $200 \mu\text{s}$ after V_{CC} passes $V_{PFD}(\text{min})$.
 2. $V_{PFD}(\text{min})$ to V_{SS} fall time of less than t_{FB} may cause corruption of RAM data.
 3. $t_{REC}(\text{min}) = 20\text{ms}$ for industrial temperature grade 6 device.

Figure 5. Power Down/Up Mode AC Waveforms



M48Z58, M48Z58Y

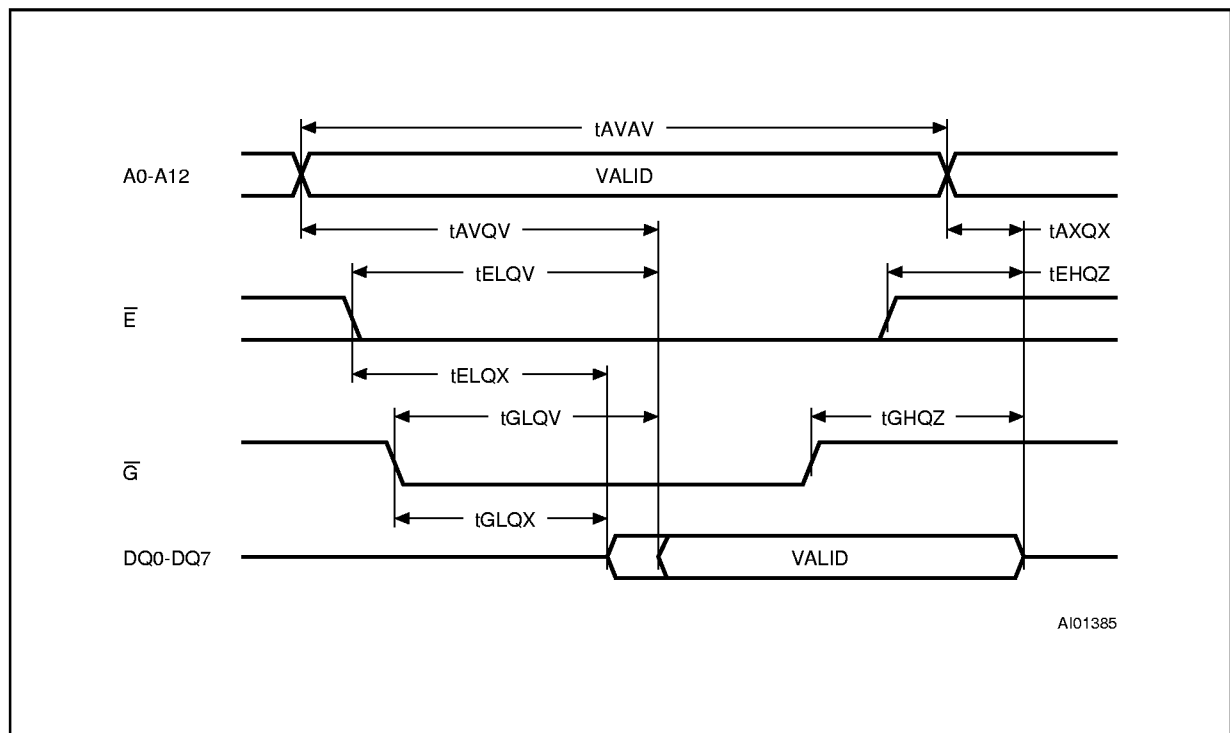
Table 9. Read Mode AC Characteristics

($T_A = 0$ to 70°C or -40 to 85°C ; $V_{CC} = 4.75\text{V}$ to 5.5V or 4.5V to 5.5V)

| Symbol | Parameter | M48Z58 / M48Z58Y | | Unit |
|------------------|---|------------------|-----|------|
| | | -70 | | |
| | | Min | Max | |
| t_{AVAV} | Read Cycle Time | 70 | | ns |
| $t_{AVQV}^{(1)}$ | Address Valid to Output Valid | | 70 | ns |
| $t_{ELQV}^{(1)}$ | Chip Enable Low to Output Valid | | 70 | ns |
| $t_{GLQV}^{(1)}$ | Output Enable Low to Output Valid | | 35 | ns |
| $t_{ELQX}^{(2)}$ | Chip Enable Low to Output Transition | 5 | | ns |
| $t_{GLQX}^{(2)}$ | Output Enable Low to Output Transition | 5 | | ns |
| $t_{EHQZ}^{(2)}$ | Chip Enable High to Output Hi-Z | | 25 | ns |
| $t_{GHQZ}^{(2)}$ | Output Enable High to Output Hi-Z | | 25 | ns |
| $t_{AXQX}^{(1)}$ | Address Transition to Output Transition | 10 | | ns |

Notes: 1. $C_L = 100\text{pF}$ (see Figure 4).
 2. $C_L = 5\text{pF}$ (see Figure 4).

Figure 6. Read Mode AC Waveforms



Note: Write Enable (\bar{W}) = High.

Table 10. Write Mode AC Characteristics(T_A = 0 to 70°C or -40 to 85°C; V_{CC} = 4.75V to 5.5V or 4.5V to 5.5V)

| Symbol | Parameter | M48Z58 / M48Z58Y | | Unit |
|-------------------------------------|---|------------------|-----|------|
| | | -70 | | |
| | | Min | Max | |
| t _{AVAV} | Write Cycle Time | 70 | | ns |
| t _{AVWL} | Address Valid to Write Enable Low | 0 | | ns |
| t _{AVEL} | Address Valid to Chip Enable Low | 0 | | ns |
| t _{WLWH} | Write Enable Pulse Width | 50 | | ns |
| t _{ELEH} | Chip Enable Low to Chip Enable High | 55 | | ns |
| t _{WHAX} | Write Enable High to Address Transition | 0 | | ns |
| t _{EHAX} | Chip Enable High to Address Transition | 0 | | ns |
| t _{DVWH} | Input Valid to Write Enable High | 30 | | ns |
| t _{DVEH} | Input Valid to Chip Enable High | 30 | | ns |
| t _{WHDX} | Write Enable High to Input Transition | 5 | | ns |
| t _{EHDx} | Chip Enable High to Input Transition | 5 | | ns |
| t _{WLQZ} ^(1, 2) | Write Enable Low to Output Hi-Z | | 25 | ns |
| t _{AVWH} | Address Valid to Write Enable High | 60 | | ns |
| t _{AVEH} | Address Valid to Chip Enable High | 60 | | ns |
| t _{WHQX} ^(1, 2) | Write Enable High to Output Transition | 5 | | ns |

Notes: 1. C_L = 5pF (see Figure 4).2. If \bar{E} goes low simultaneously with \bar{W} going low, the outputs remain in the high impedance state.

READ MODE

The M48Z58/58Y is in the Read Mode whenever \bar{W} (Write Enable) is high, \bar{E} (Chip Enable) is low. Thus, the unique address specified by the 13 Address Inputs defines which one of the 8,192 bytes of data is to be accessed. Valid data will be available at the Data I/O pins within Address Access time (t_{AVQV}) after the last address input signal is stable, providing that the \bar{E} and \bar{G} access times are also satisfied. If the \bar{E} and \bar{G} access times are not met, valid data will be available after the latter of the Chip Enable Access time (t_{ELQV}) or Output Enable Access time (t_{GLQV}).

The state of the eight three-state Data I/O signals is controlled by \bar{E} and \bar{G} . If the outputs are activated before t_{AVQV}, the data lines will be driven to an indeterminate state until t_{AVQV}. If the Address Inputs are changed while \bar{E} and \bar{G} remain active, output data will remain valid for Output Data Hold

time (t_{AXQX}) but will go indeterminate until the next Address Access.

WRITE MODE

The M48Z58/58Y is in the Write Mode whenever \bar{W} and \bar{E} are low. The start of a write is referenced from the latter occurring falling edge of \bar{W} or \bar{E} . A write is terminated by the earlier rising edge of \bar{W} or \bar{E} . The addresses must be held valid throughout the cycle. \bar{E} or \bar{W} must return high for a minimum of t_{EHAX} from Chip Enable or t_{WHAX} from Write Enable prior to the initiation of another read or write cycle. Data-in must be valid t_{DVWH} prior to the end of write and remain valid for t_{WHDX} afterward. \bar{G} should be kept high during write cycles to avoid bus contention; although, if the output bus has been activated by a low on \bar{E} and \bar{G} , a low on \bar{W} will disable the outputs t_{WLQZ} after \bar{W} falls.

Figure 7. Write Enable Controlled, Write AC Waveforms

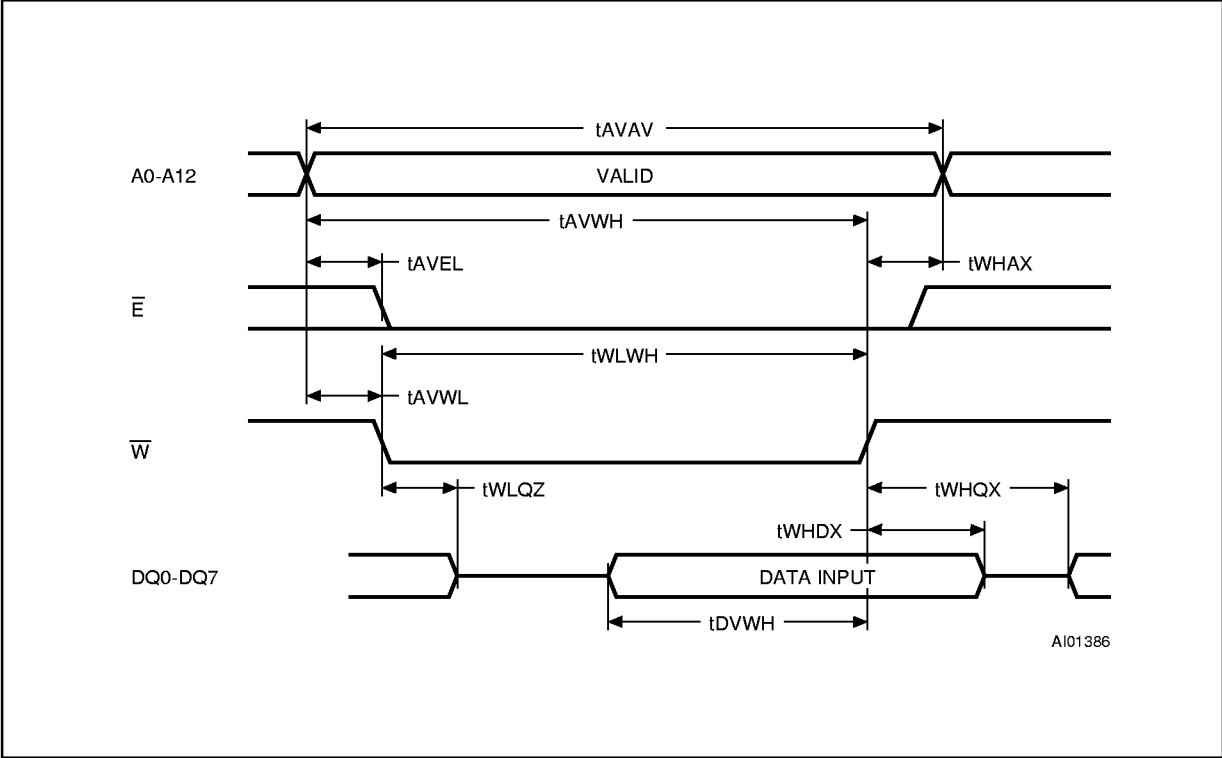
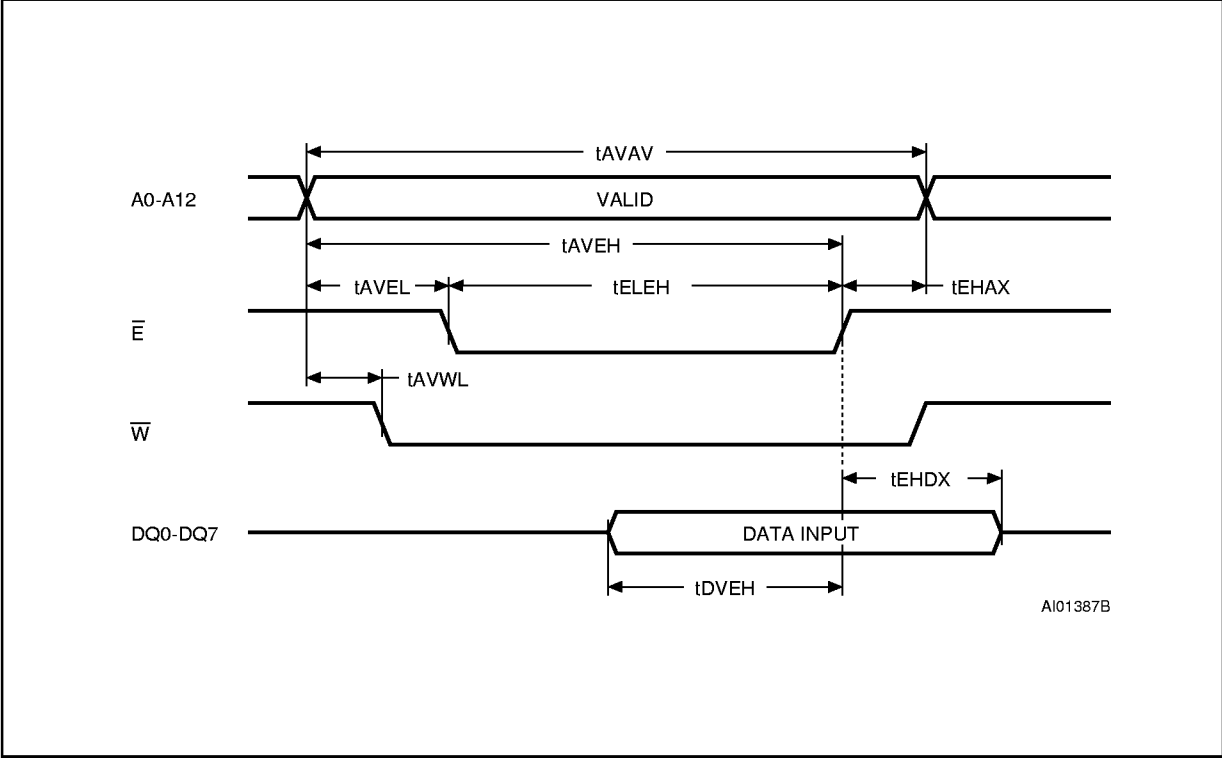


Figure 8. Chip Enable Controlled, Write AC Waveforms



DATA RETENTION MODE

With valid V_{CC} applied, the M48Z58/58Y operates as a conventional BYTEWIDE™ static RAM. Should the supply voltage decay, the RAM will automatically power-fail deselect, write protecting itself when V_{CC} falls within the $V_{PFD(max)}$, $V_{PFD(min)}$ window. All outputs become high impedance, and all inputs are treated as "don't care."

Note: A power failure during a write cycle may corrupt data at the currently addressed location, but does not jeopardize the rest of the RAM's content. At voltages below $V_{PFD(min)}$, the user can be assured the memory will be in a write protected state, provided the V_{CC} fall time is not less than t_F . The M48Z58/58Y may respond to transient noise spikes on V_{CC} that reach into the deselect window during the time the device is sampling V_{CC} . Therefore, decoupling of the power supply lines is recommended.

When V_{CC} drops below V_{SO} , the control circuit switches power to the internal battery which preserves data. The internal button cell will maintain data in the M48Z58/58Y for an accumulated period of at least 10 years when V_{CC} is less than V_{SO} .

As system power returns and V_{CC} rises above V_{SO} , the battery is disconnected, and the power supply is switched to external V_{CC} . Write protection continues until V_{CC} reaches $V_{PFD(min)}$ plus $t_{REC(min)}$. Normal RAM operation can resume t_{REC} after V_{CC} exceeds $V_{PFD(max)}$.

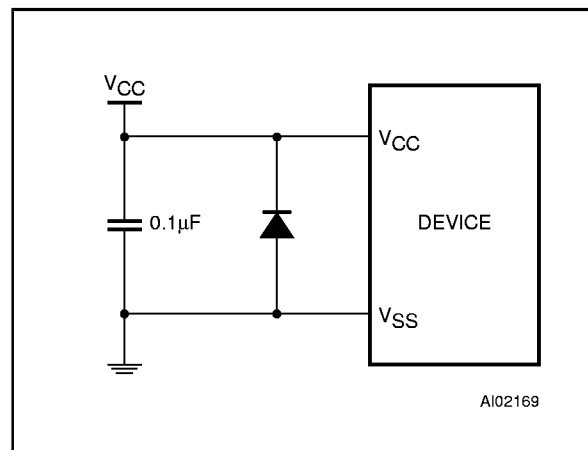
For more information on Battery Storage Life refer to the Application Note AN1012.

POWER SUPPLY DECOUPLING and UNDER-SHOOT PROTECTION

I_{CC} transients, including those produced by output switching, can produce voltage fluctuations, resulting in spikes on the V_{CC} bus. These transients can be reduced if capacitors are used to store energy, which stabilizes the V_{CC} bus. The energy stored in the bypass capacitors will be released as low going spikes are generated or energy will be absorbed when overshoots occur. A ceramic bypass capacitor value of $0.1\mu F$ (as shown in Figure 9) is recommended in order to provide the needed filtering.

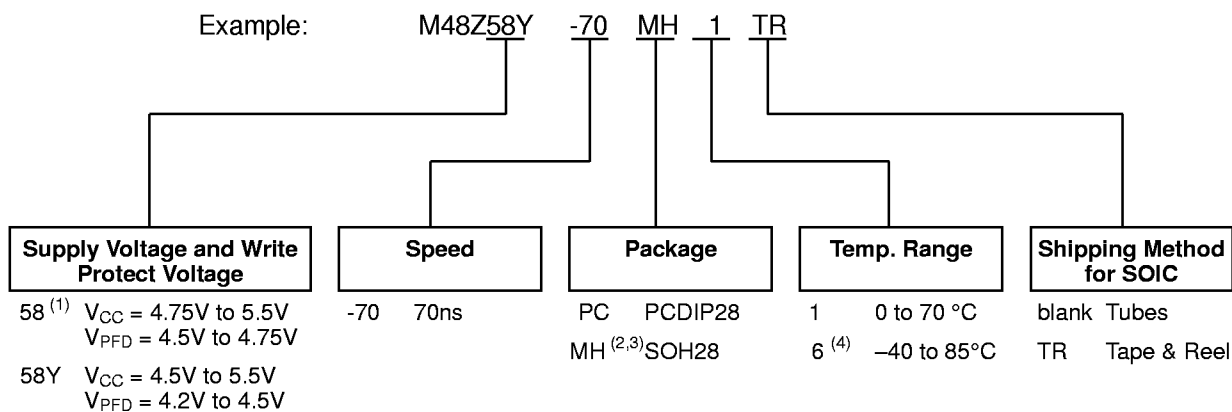
In addition to transients that are caused by normal SRAM operation, power cycling can generate negative voltage spikes on V_{CC} that drive it to values below V_{SS} by as much as one Volt. These negative spikes can cause data corruption in the SRAM while in battery backup mode. To protect from these voltage spikes, it is recommended to connect a schottky diode from V_{CC} to V_{SS} (cathode connected to V_{CC} , anode to V_{SS}). Schottky diode 1N5817 is recommended for through hole and MBRS120T3 is recommended for surface mount.

Figure 9. Supply Voltage Protection



M48Z58, M48Z58Y

ORDERING INFORMATION SCHEME



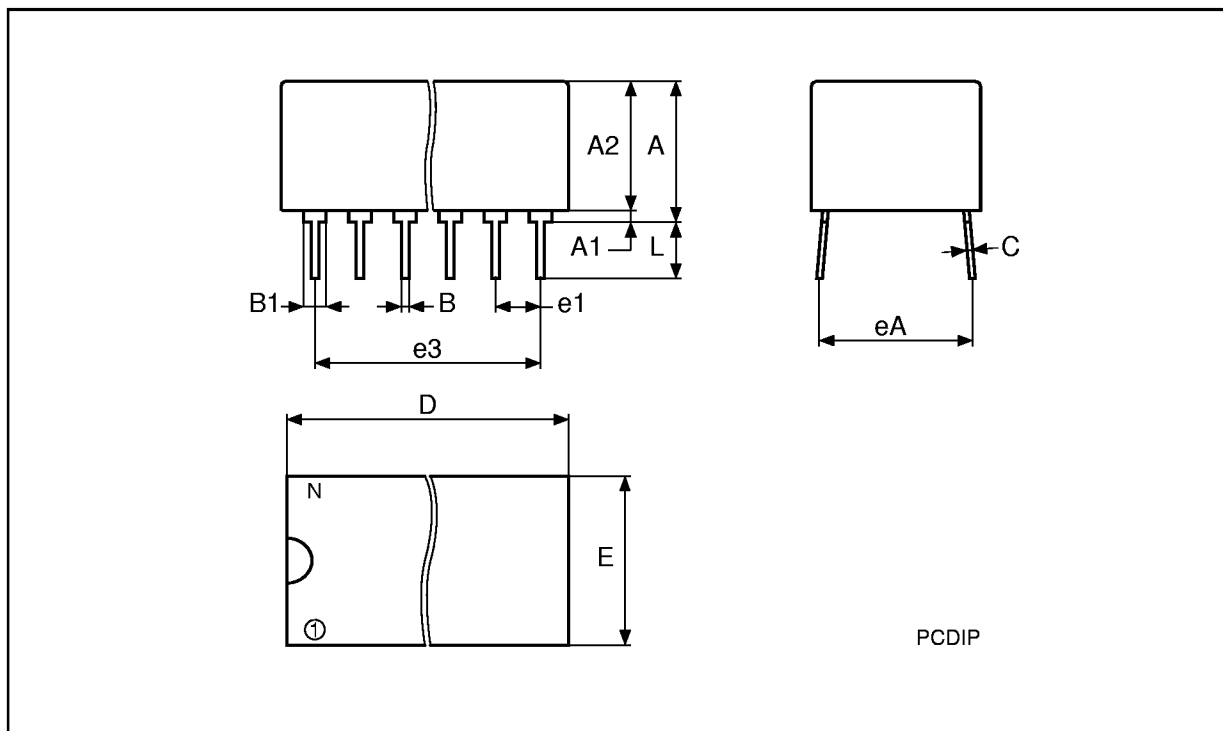
- Notes:**
1. The M48Z58 part is offered with the PCDIP28 (i.e. CAPHAT) package only.
 2. The SOIC package (SOH28) requires the battery package (SNAPHAT) which is ordered separately under the part number "M4Z28-BR00SH1" in plastic tube or "M4Z28-BR00SH1TR" in Tape & Reel form.
 3. Delivery may include either the 2-pin version of the SOIC/SNAPHAT or the 4-pin version of the SOIC/SNAPHAT. Both are functionally equivalent (see package drawing section for details).
 4. Industrial temperature grade available in SOIC package (SOH28) only.

Caution: Do not place the SNAPHAT battery package "M4Z28-BR00SH1" in conductive foam since this will drain the lithium button-cell battery.

For a list of available options (Speed, Package, etc...) or for further information on any aspect of this device, please contact the STMicroelectronics Sales Office nearest to you.

PCDIP28 - 28 pin Plastic DIP, battery CAPHAT

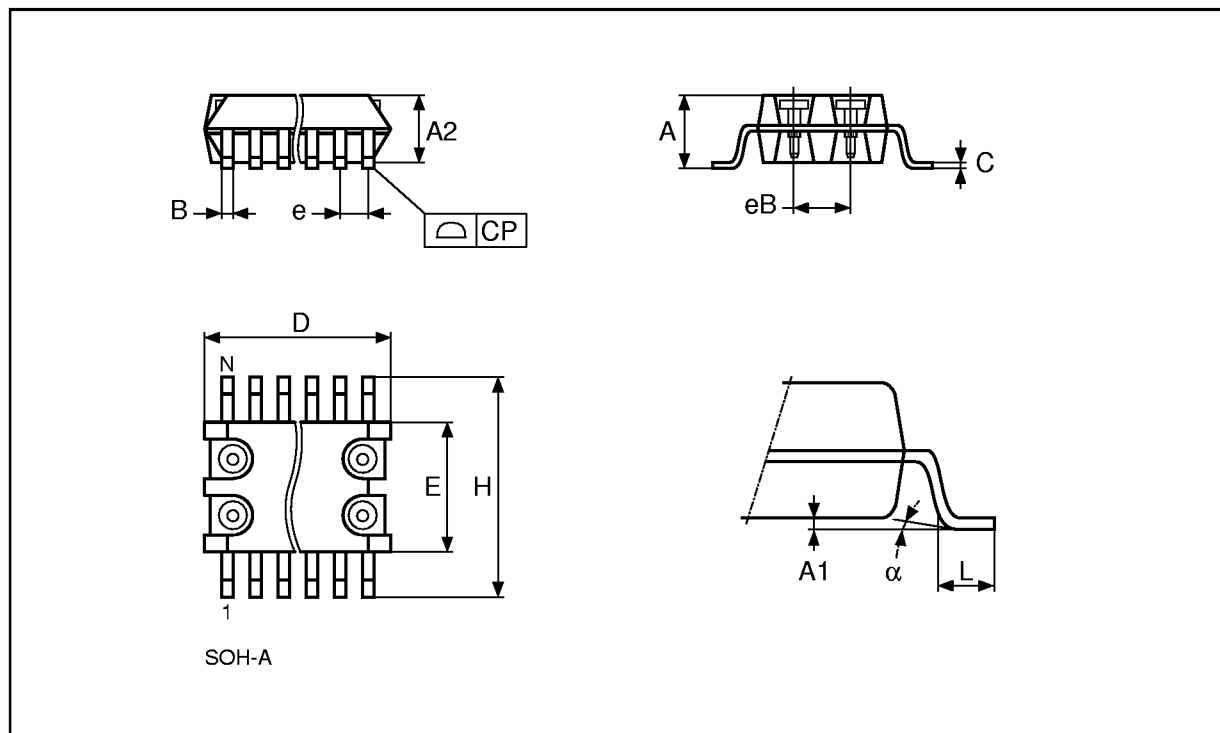
| Symb | mm | | | inches | | |
|------|-----|-------|-------|--------|-------|-------|
| | Typ | Min | Max | Typ | Min | Max |
| A | | 8.89 | 9.65 | | 0.350 | 0.380 |
| A1 | | 0.38 | 0.76 | | 0.015 | 0.030 |
| A2 | | 8.38 | 8.89 | | 0.330 | 0.350 |
| B | | 0.38 | 0.53 | | 0.015 | 0.021 |
| B1 | | 1.14 | 1.78 | | 0.045 | 0.070 |
| C | | 0.20 | 0.31 | | 0.008 | 0.012 |
| D | | 39.37 | 39.88 | | 1.550 | 1.570 |
| E | | 17.83 | 18.34 | | 0.702 | 0.722 |
| e1 | | 2.29 | 2.79 | | 0.090 | 0.110 |
| e3 | | 29.72 | 36.32 | | 1.170 | 1.430 |
| eA | | 15.24 | 16.00 | | 0.600 | 0.630 |
| L | | 3.05 | 3.81 | | 0.120 | 0.150 |
| N | | 28 | | | 28 | |



Drawing is not to scale.

SOH28 - 28 lead Plastic Small Outline, 4-socket battery SNAPHAT

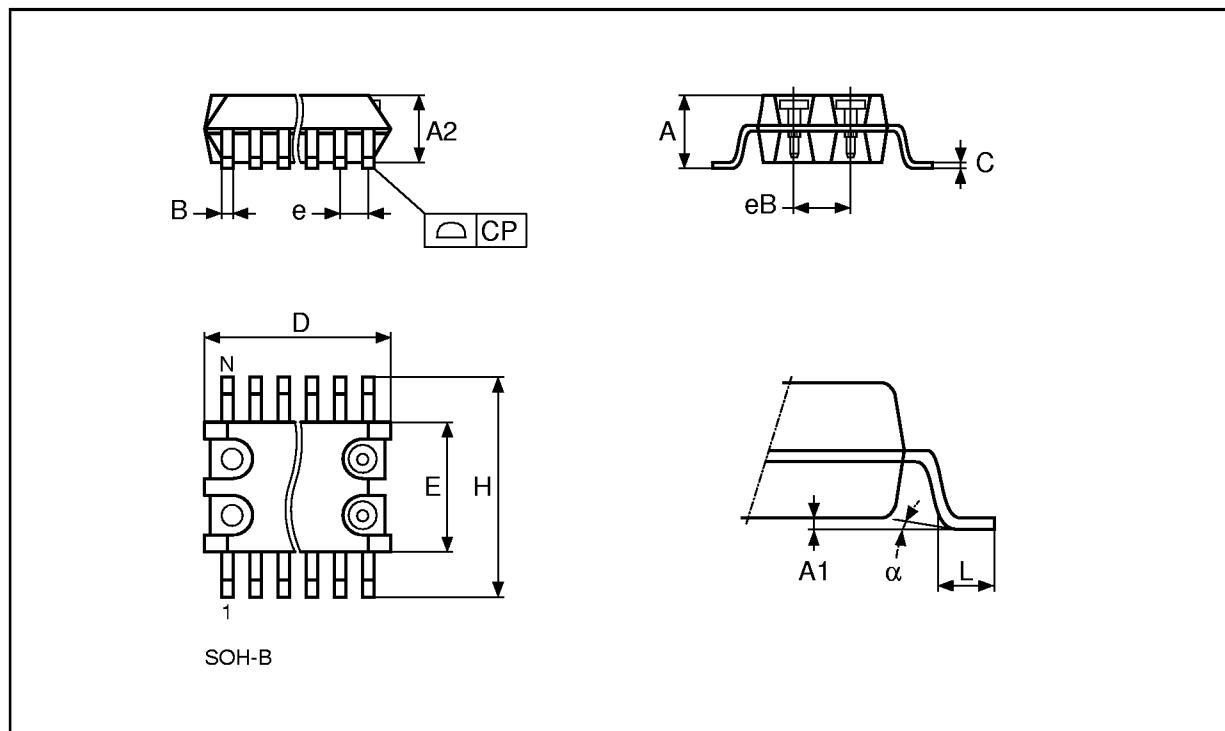
| Symb | mm | | | inches | | |
|----------|------|-------|-------|--------|-------|-------|
| | Typ | Min | Max | Typ | Min | Max |
| A | | | 3.05 | | | 0.120 |
| A1 | | 0.05 | 0.36 | | 0.002 | 0.014 |
| A2 | | 2.34 | 2.69 | | 0.092 | 0.106 |
| B | | 0.36 | 0.51 | | 0.014 | 0.020 |
| C | | 0.15 | 0.32 | | 0.006 | 0.012 |
| D | | 17.71 | 18.49 | | 0.697 | 0.728 |
| E | | 8.23 | 8.89 | | 0.324 | 0.350 |
| e | 1.27 | - | - | 0.050 | - | - |
| eB | | 3.20 | 3.61 | | 0.126 | 0.142 |
| H | | 11.51 | 12.70 | | 0.453 | 0.500 |
| L | | 0.41 | 1.27 | | 0.016 | 0.050 |
| α | | 0° | 8° | | 0° | 8° |
| N | 28 | | | 28 | | |
| CP | | | 0.10 | | | 0.004 |



Drawing is not to scale.

SOH28 - 28 lead Plastic Small Outline, 2-socket battery SNAPHAT

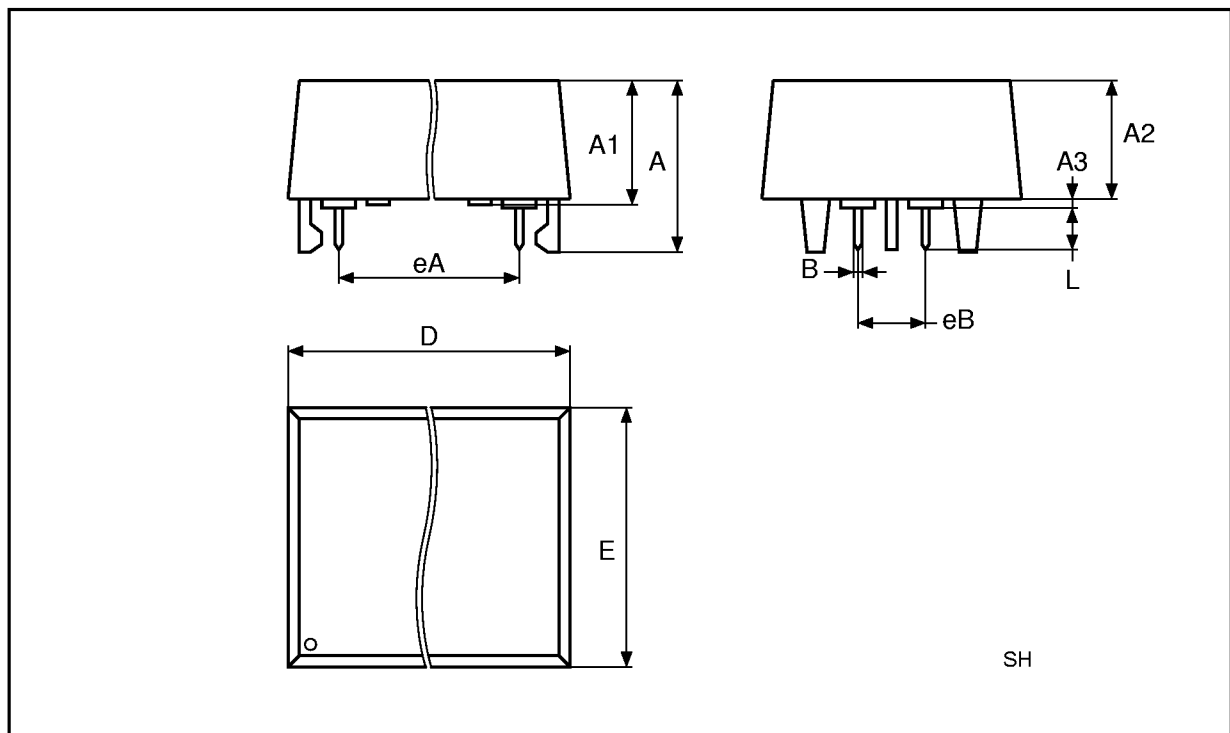
| Symb | mm | | | inches | | |
|----------|------|-------|-------|--------|-------|-------|
| | Typ | Min | Max | Typ | Min | Max |
| A | | | 3.05 | | | 0.120 |
| A1 | | 0.05 | 0.36 | | 0.002 | 0.014 |
| A2 | | 2.34 | 2.69 | | 0.092 | 0.106 |
| B | | 0.36 | 0.51 | | 0.014 | 0.020 |
| C | | 0.15 | 0.32 | | 0.006 | 0.012 |
| D | | 17.71 | 18.49 | | 0.697 | 0.728 |
| E | | 8.23 | 8.89 | | 0.324 | 0.350 |
| e | 1.27 | - | - | 0.050 | - | - |
| eB | | 3.20 | 3.61 | | 0.126 | 0.142 |
| H | | 11.51 | 12.70 | | 0.453 | 0.500 |
| L | | 0.41 | 1.27 | | 0.016 | 0.050 |
| α | | 0° | 8° | | 0° | 8° |
| N | 28 | | | 28 | | |
| CP | | | 0.10 | | | 0.004 |



Drawing is not to scale.

SH - 4-pin SNAPHAT Housing for 49 mAh Battery

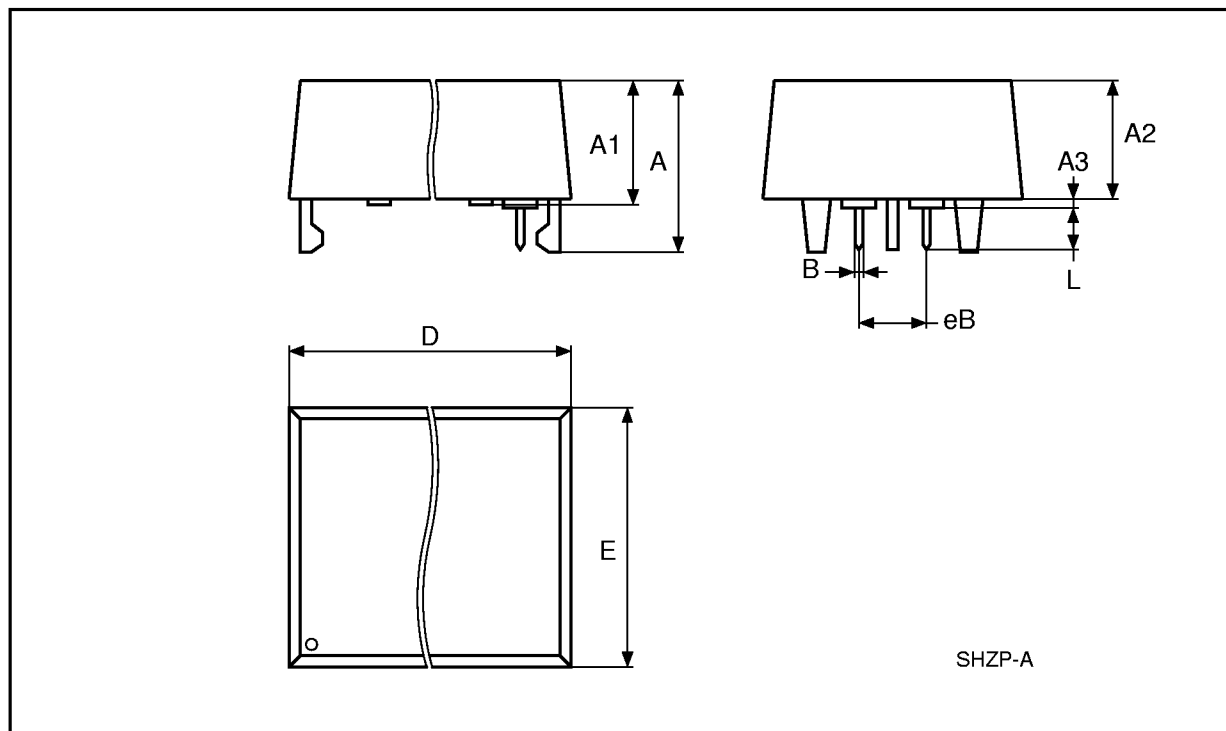
| Symb | mm | | | inches | | |
|------|-----|-------|-------|--------|-------|-------|
| | Typ | Min | Max | Typ | Min | Max |
| A | | | 9.78 | | | 0.385 |
| A1 | | 6.73 | 7.24 | | 0.265 | 0.285 |
| A2 | | 6.48 | 6.99 | | 0.255 | 0.275 |
| A3 | | | 0.38 | | | 0.015 |
| B | | 0.46 | 0.56 | | 0.018 | 0.022 |
| D | | 21.21 | 21.84 | | 0.835 | 0.860 |
| E | | 14.22 | 14.99 | | 0.560 | 0.590 |
| eA | | 15.55 | 15.95 | | 0.612 | 0.628 |
| eB | | 3.20 | 3.61 | | 0.126 | 0.142 |
| L | | 2.03 | 2.29 | | 0.080 | 0.090 |



Drawing is not to scale.

SH - 2-pin SNAPHAT Housing for 49 mAh Battery

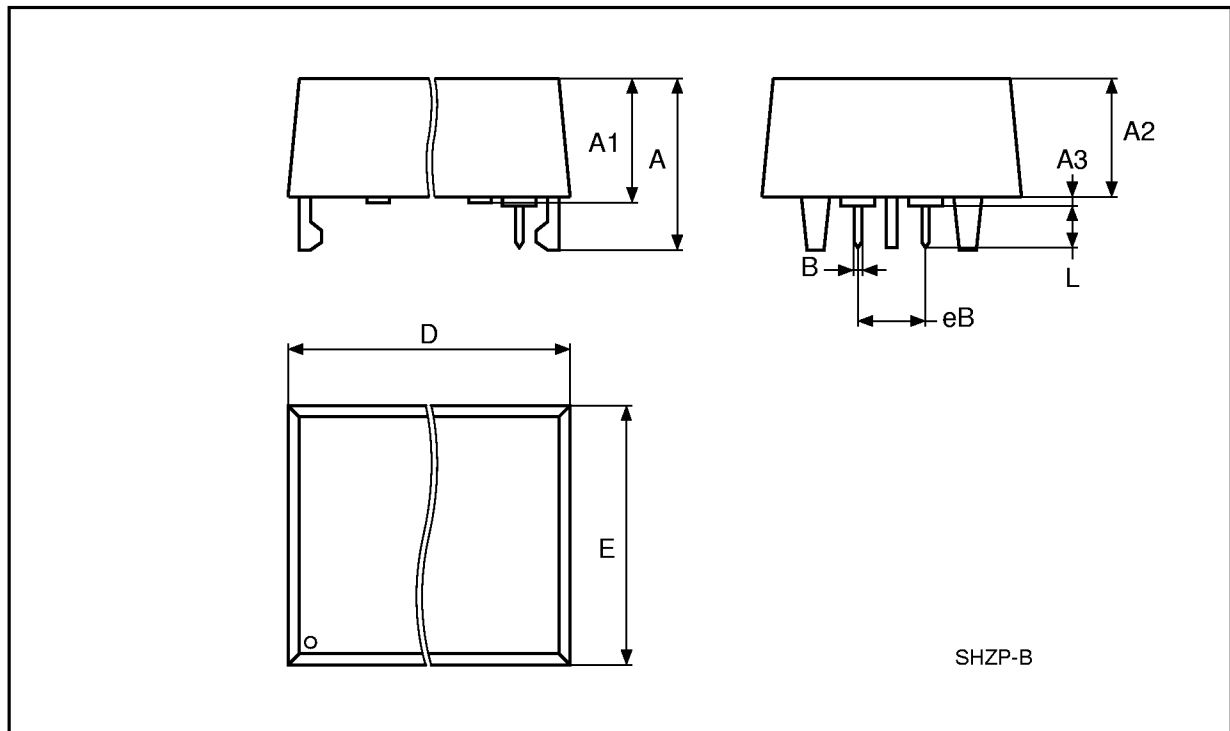
| Symb | mm | | | inches | | |
|------|-----|-------|-------|--------|-------|-------|
| | Typ | Min | Max | Typ | Min | Max |
| A | | | 9.78 | | | 0.385 |
| A1 | | 6.73 | 7.24 | | 0.265 | 0.285 |
| A2 | | 6.48 | 6.99 | | 0.255 | 0.275 |
| A3 | | | 0.38 | | | 0.015 |
| B | | 0.46 | 0.56 | | 0.018 | 0.022 |
| D | | 21.21 | 21.84 | | 0.835 | 0.860 |
| E | | 14.22 | 14.99 | | 0.560 | 0.590 |
| eB | | 3.20 | 3.61 | | 0.126 | 0.142 |
| L | | 2.03 | 2.29 | | 0.080 | 0.090 |



Drawing is not to scale.

SH - 2-pin SNAPHAT Housing for 130 mAh Battery

| Symb | mm | | | inches | | |
|------|-----|-------|-------|--------|-------|-------|
| | Typ | Min | Max | Typ | Min | Max |
| A | | | 10.54 | | | 0.415 |
| A1 | | 8.00 | 8.51 | | 0.315 | 0.335 |
| A2 | | 7.24 | 8.00 | | 0.285 | 0.315 |
| A3 | | | 0.38 | | | 0.015 |
| B | | 0.46 | 0.56 | | 0.018 | 0.022 |
| D | | 21.21 | 21.84 | | 0.835 | 0.860 |
| E | | 17.27 | 18.03 | | 0.680 | 0.710 |
| eB | | 3.20 | 3.61 | | 0.126 | 0.142 |
| L | | 2.03 | 2.29 | | 0.080 | 0.090 |



Drawing is not to scale.