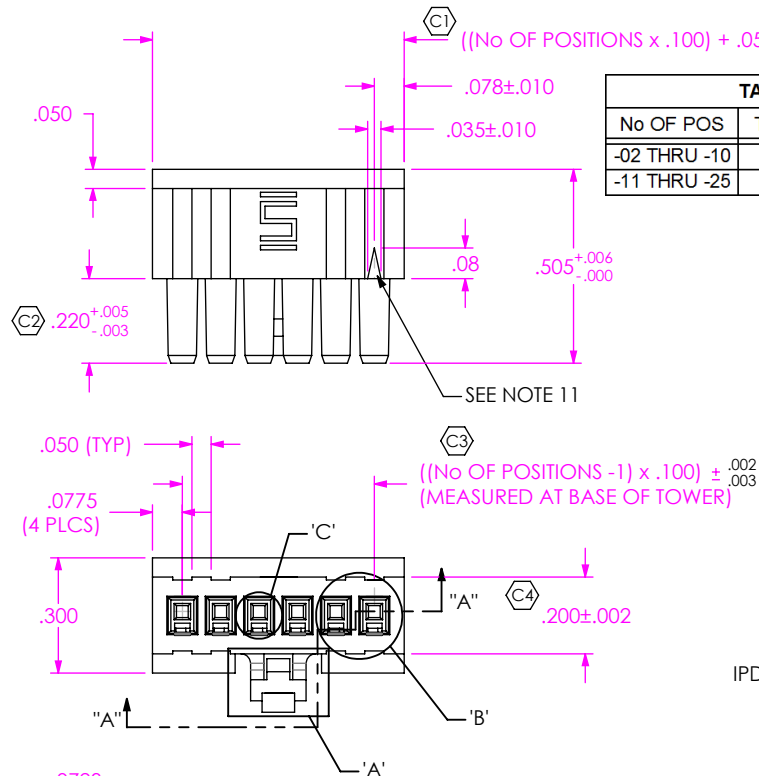


DO NOT SCALE FROM THIS PRINT

No OF POSITIONS  
-02 THRU -25  
(PER ROW)  
[SEE FIG. 2 FOR -02 POSITION]

OPTION  
-R: RETENTION LATCH  
(SEE NOTE 16) (SEE SHEET 3)  
OPTION  
-K: KEYED POLARIZATION  
(SEE FIGURE 3, SHEET 2)  
ROW SPECIFICATION  
-S: SINGLE

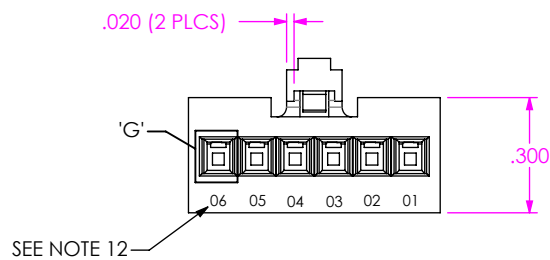
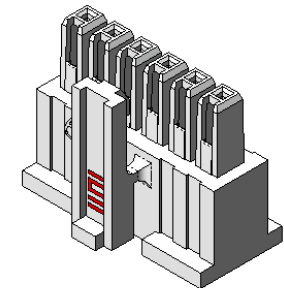
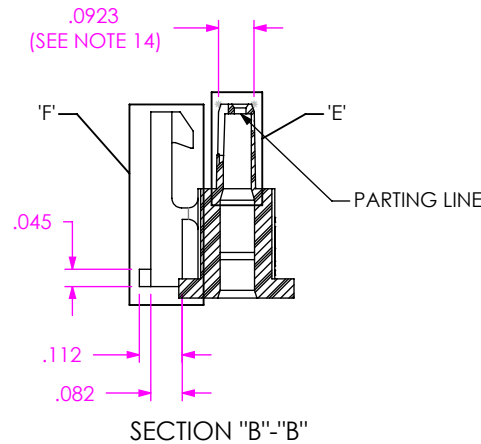
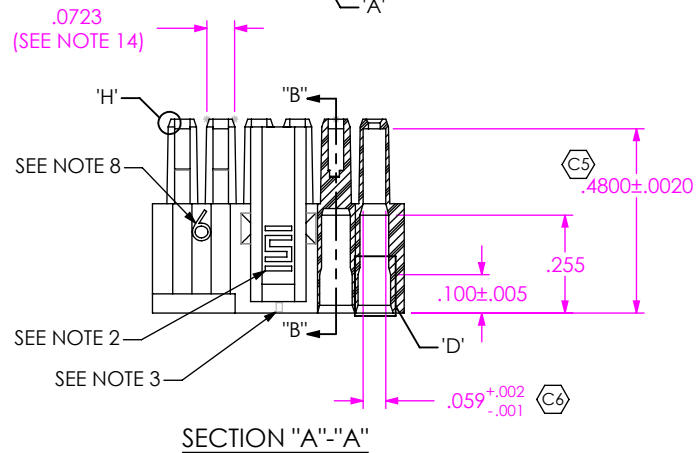


**TABLE 1**

No OF POS	T/B BOW	S/S BOW
-02 THRU -10	.002	.002
-11 THRU -25	.003	.003

NOTES:

1.  $\text{\textcircled{C}}$  REPRESENTS A CRITICAL DIMENSION.
2. SAMTEC LOGO SHALL APPEAR AT ONE LOCATION ON SURFACE SHOWN, APPROXIMATELY .150 x .094 (BOTH SIDES).
3. ALL MULTIPLE CAVITY MOLDS SHALL IDENTIFY EACH CAVITY WITH A LETTER DESIGNATION LOCATED WHERE SHOWN.
4. ALL IDENTIFICATION MARKS MUST NOT STAND GREATER THAN .002 OFF THE SURFACE OF THE PART.
5. MOLDED SURFACES SHALL BE CONSISTENT AND SMOOTH. SURFACES TO BE FREE OF SCATCHES, NICKS, SINK AREAS, VOIDS OR OTHER BLEMISHES.
6. MAX ALLOWABLE BOW: SEE TABLE 1. BOW TO BE MEASURED AT MIDLIN OF PART.
7. PART TO BE SYMMETRIC ABOUT THE CENTERLINE WITHIN +/- .002, UNLESS OTHERWISE STATED.
8. NUMBER OF POSITIONS (PER ROW) TO BE SHOWN IN THIS AREA EXCLUDING 2, 3 AND 4 POSITIONS. SIZE AND DEPTH SIMILAR TO POSITION 1 INDICATOR.
9. GATE PADS MUST BE RECESSED .005. GATE LOCATION IS AT MOLDERS DISCRETION.
10. END CORES ARE POLARIZED. CONFIRM GEOMETRY RELATIVE TO POSITION 1 INDICATOR & GATE PADS.
11. POSITION 1 INDICATOR TO BE .0005 MAX DEPTH, NOT PRESENT ON 2-4 POSITION OPTIONS.
12. SPECIFIED POSITIONS TO BE IDENTIFIED WHERE SHOWN (NOTE 4 APPLIES).
13. MOLD DESIGNER HAS DISCRETION OVER RIB LOCATION. STEEL PRINT SETUP SHEET MUST SHOW RIB CONFIGURATION FOR EACH PART NUMBER.
14. PART MUST DRAFT INWARD FROM BOTTOM TO TOP OF STACK.
15. ALL DIMENSIONS TO BE SYMMETRIC ABOUT CENTERLINE WITHIN .0015 UNLESS OTHERWISE STATED.
16. OPTION NOT FOR SALE. FOR RETENTION LATCH FEATURE, SEE IPD1-XX-S-M PRINT.



UNLESS OTHERWISE SPECIFIED, DIMENSIONS ARE IN INCHES. TOLERANCES ARE:  
 DECIMALS ANGLES  
 .XX:  $\pm .01$  [.3]  
 .XXX:  $\pm .003$  [.08]  
 .XXXX:  $\pm .0015$  [.038]

PROPRIETARY NOTE  
 THIS DOCUMENT CONTAINS INFORMATION CONFIDENTIAL AND PROPRIETARY TO SAMTEC, INC. AND SHALL NOT BE REPRODUCED OR TRANSFERRED TO OTHER DOCUMENTS OR DISCLOSED TO OTHERS OR USED FOR ANY PURPOSE OTHER THAN THAT WHICH IT WAS OBTAINED WITHOUT THE EXPRESSED WRITTEN CONSENT OF SAMTEC, INC.

**samtec**  
 520 PARK EAST BLVD. NEW ALBANY, IN 47150  
 PHONE: 812-944-6733 FAX: 812-948-5047  
 e-Mail: info@SAMTEC.com code: 55322

MATERIAL: DO NOT SCALE DRAWING SHEET SCALE: 2:1  
 ZYTEL 101F, COLOR: WHITE  
 MAX REGRIND: 25%  
 MAX FLASH ALLOWED: .004  
 MAX GATE VESTIGE: .002

DESCRIPTION: .100 SHROUDED CONTACT BODY

DWG. NO. IPD1-XX-S-X-X

BY: DEAN P 04/25/2005 SHEET 1 OF 3

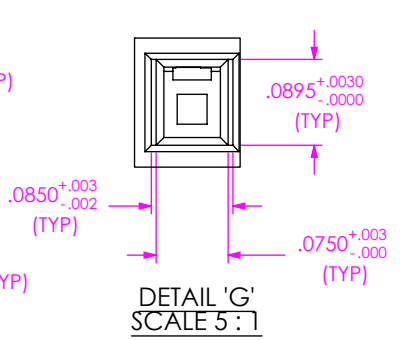
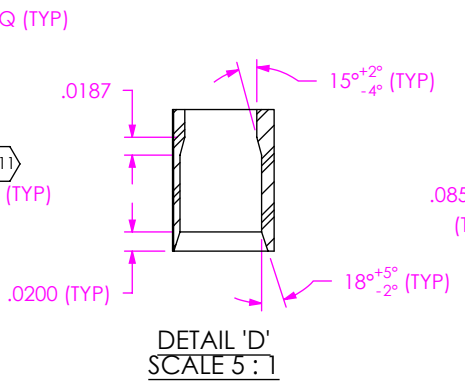
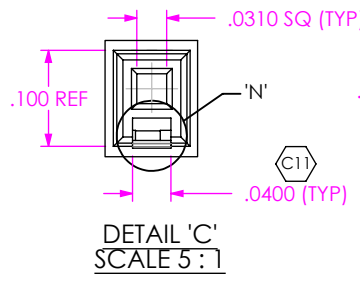
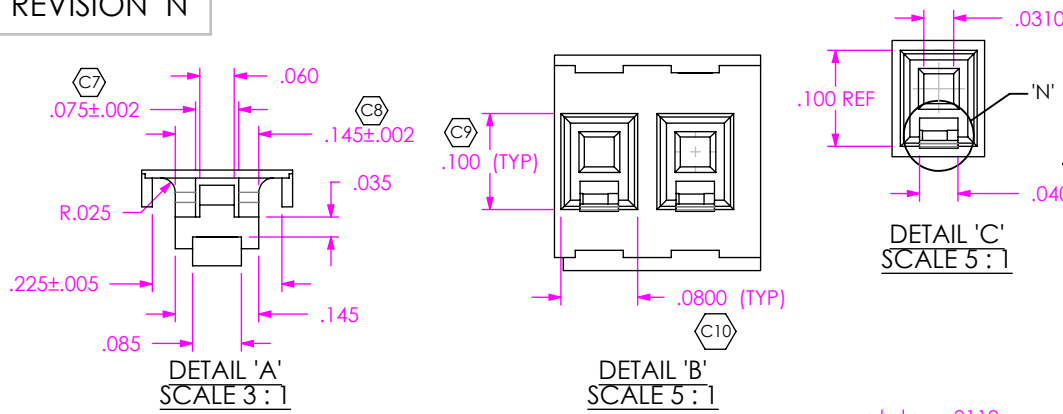


FIG. 2  
-02 POSITION  
(SAME AS FIG. 1, UNLESS OTHERWISE STATED)

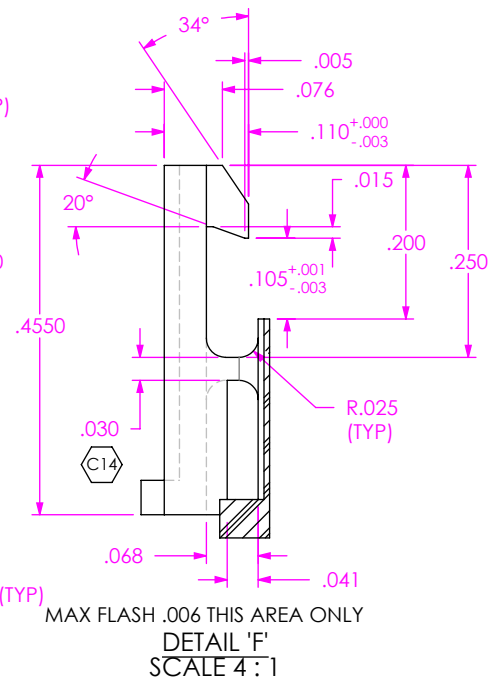
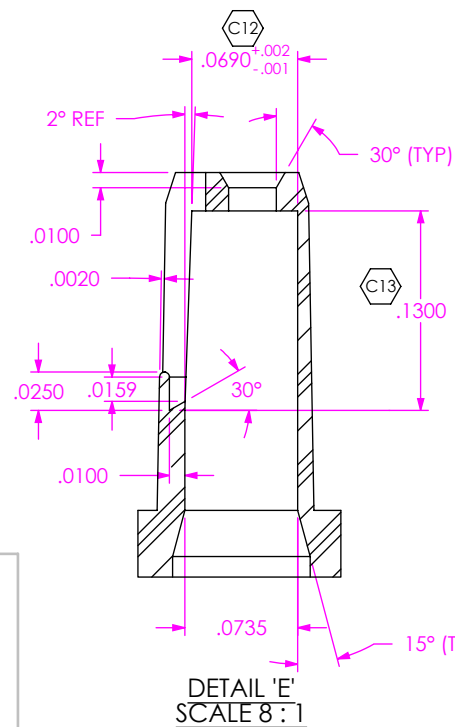
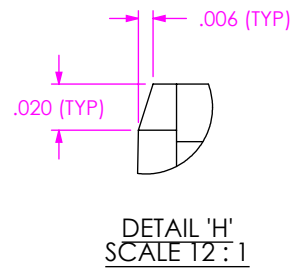
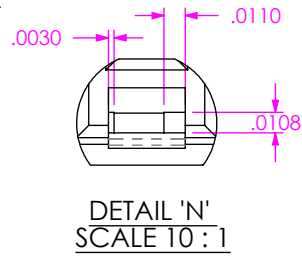
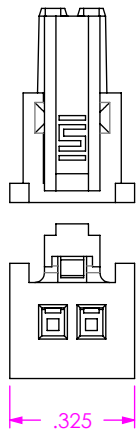
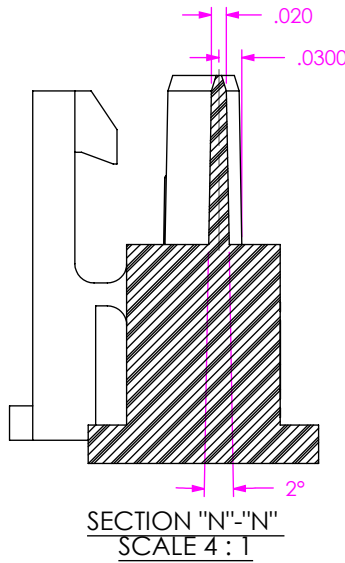
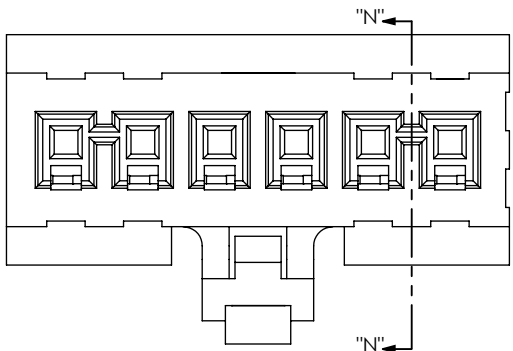


FIG. 3  
-K: KEYED POLARIZATION  
(IPD1-06-S-K SHOWN)  
(SAME AS FIG. 1, UNLESS OTHERWISE STATED)



PROPRIETARY NOTE

THIS DOCUMENT CONTAINS INFORMATION CONFIDENTIAL AND PROPRIETARY TO SAMTEC, INC. AND SHALL NOT BE REPRODUCED OR TRANSFERRED TO OTHER DOCUMENTS OR DISCLOSED TO OTHERS OR USED FOR ANY PURPOSE OTHER THAN THAT WHICH IT WAS OBTAINED WITHOUT THE EXPRESSED WRITTEN CONSENT OF SAMTEC, INC.

DO NOT SCALE DRAWING  
SHEET SCALE: 2:1



520 PARK EAST BLVD. NEW ALBANY, IN 47150  
PHONE: 812-944-6733 FAX: 812-948-5047  
e-Mail: info@SAMTEC.com code: 55322

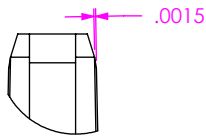
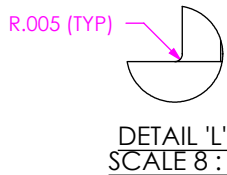
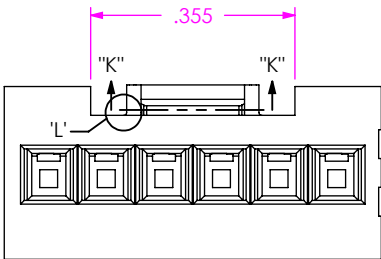
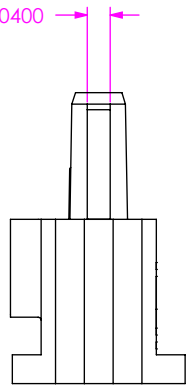
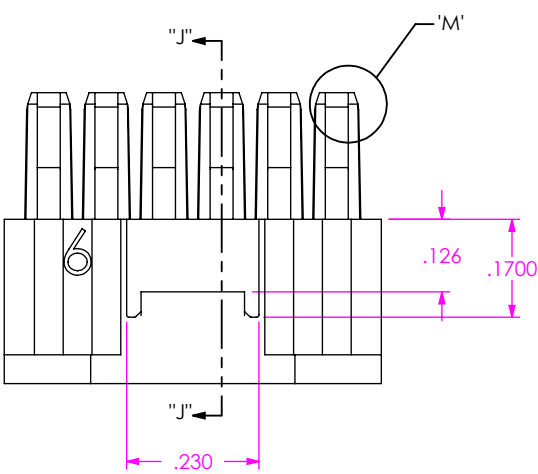
DESCRIPTION:  
.100 SHROUDED CONTACT BODY

DWG. NO.  
IPD1-XX-S-X-X

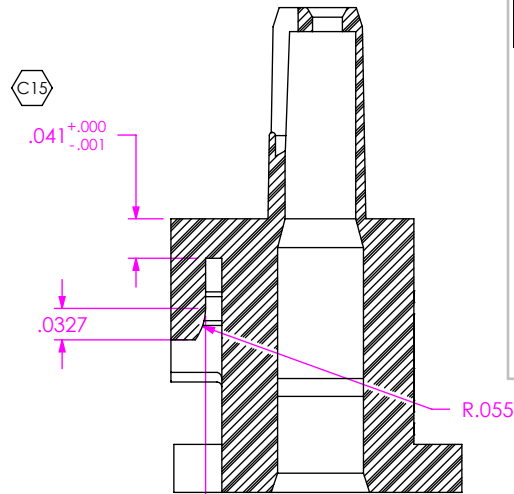
BY: DEAN P 04/25/2005 SHEET 2 OF 3

FIG. 4  
(IPD1-06-S-R SHOWN)  
(SAME AS FIG. 1, UNLESS OTHERWISE STATED)  
(SEE NOTE 16)

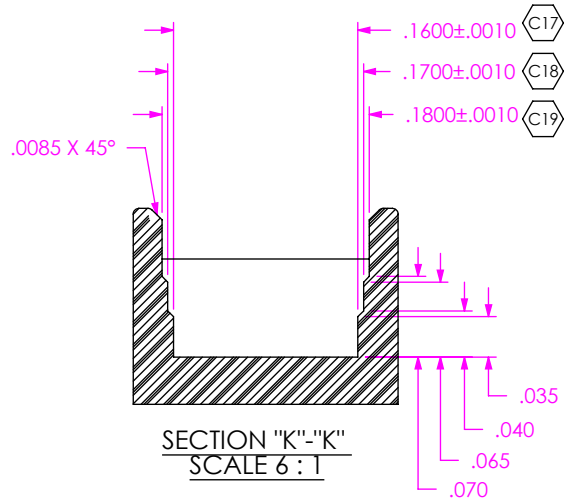
NOT RELEASED FOR PRODUCTION



DETAIL 'M'  
SCALE 6 : 1



SECTION "J"-"J"  
SCALE 5 : 1



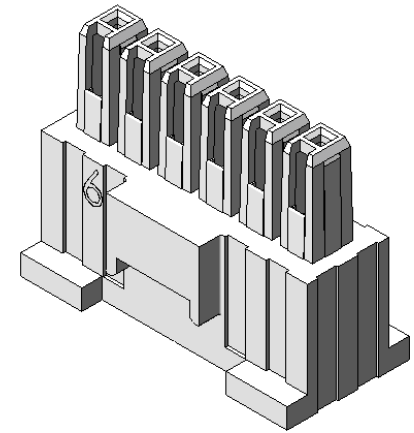
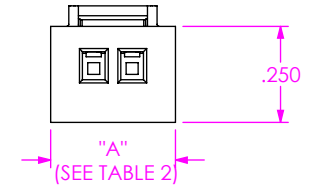
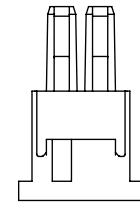
SECTION "K"-"K"  
SCALE 6 : 1

FIG. 5  
(IPD1-02-S-R SHOWN)  
(SAME AS FIG. 2, UNLESS OTHERWISE STATED)  
(SEE NOTE 16)

NOT RELEASED FOR PRODUCTION

**TABLE 2**

No OF POS	"A"
-02	.325
-03	.425



**PROPRIETARY NOTE**  
THIS DOCUMENT CONTAINS INFORMATION  
CONFIDENTIAL AND PROPRIETARY TO  
SAMTEC, INC. AND SHALL NOT BE REPRODUCED OR  
DISCLOSED TO OTHERS OR USED FOR ANY  
PURPOSE OTHER THAN THAT WHICH IT WAS  
OBTAINED WITHOUT THE EXPRESSED WRITTEN  
CONSENT OF SAMTEC, INC.

DO NOT SCALE DRAWING

SHEET SCALE: 4:1

**samtec**

520 PARK EAST BLVD, NEW ALBANY, IN 47150  
PHONE: 812-944-6733 FAX: 812-948-5047  
e-Mail: info@SAMTEC.com code: 55322

DESCRIPTION:  
.100 SHROUDED CONTACT BODY

DWG. NO.  
IPD1-XX-S-X-X

BY: DEAN P 04/25/2005 SHEET 3 OF 3