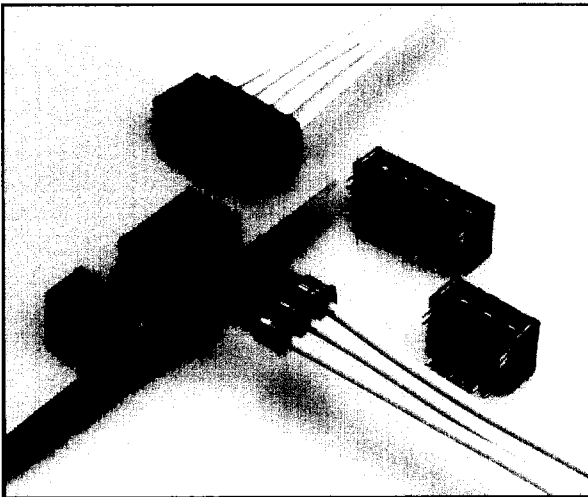


KD10 SERIES CONNECTORS

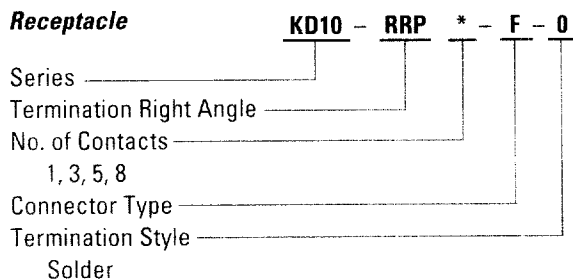
Board-to-Multi Coaxial Connector



FEATURES

- Low profile 6.1mm (.240") for minimized mounting space
- Characteristic impedance of 50 ohms and 75 ohms
- Kinked hold-down allows connector to be fixed on board during soldering

ORDERING INFORMATION



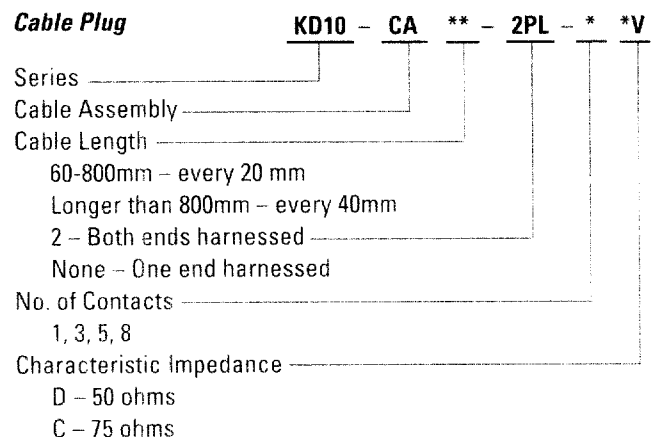
The KD10 Series is a small size multi coaxial connector suitable for middle frequency range. Two versions are available: 50 ohms and 75 ohms. The 50 ohms is ideally used for digital information equipment, telecommunication, and calculation equipment, while 75 ohms is used in video movie, radio and multimedia equipment.

GENERAL SPECIFICATIONS

Number of Contacts	1, 3, 5 and 8
Characteristic Impedance	50 ohms/75 ohms
Frequency	DC 300 MHz
VSWR	1.3 max. DC 300 MHz
Insertion Loss	0.3 dB/DC 300 MHz
Current Rating	250mAmps
Dielectric Withstanding Voltage	250 VAC r.m.s. (for one minute)
Insulation Resistance	100 megohms min. (with 10mm cable)
Contact Resistance	Initial (Center: 80 megohms max. Outer 30 megohms max.)
Insertion Force	One pin: 5N max. Three pins: 10N max. Five pins: 15N max. Eight pins: 20N max.
Withdrawal Force	One pin: 2N max. Three pins: 5N max. Five pins: 7N max. Eight pins: 11N max.
Operating Temperature	-55°C to +85°C
Insertion/Withdrawal	50 times

MATERIALS AND FINISHES

Description	Materials/Finishes
Insulator	Glass-filled (6-6 Nylon)
Center Contact	Copper alloy, Gold over Nickel Plating
Outer Contact	Copper alloy, Gold over Nickel Plating
Hold-down	Copper alloy, Tin Plating



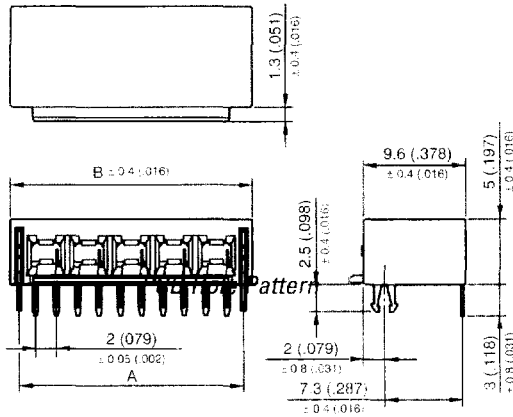
* Cable assemblies only available

Dimensions and specifications subject to change without notice.

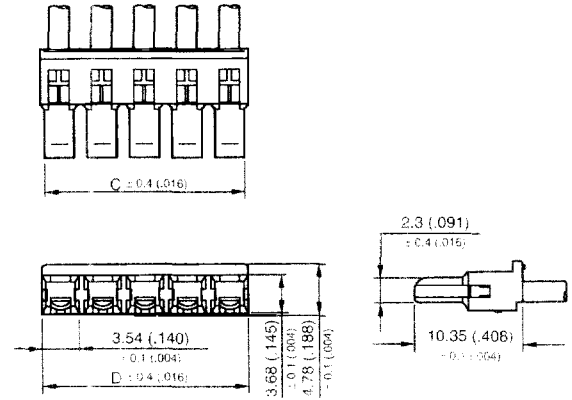
KD10 SERIES CONNECTORS

Board-to-Multi Coaxial Connector

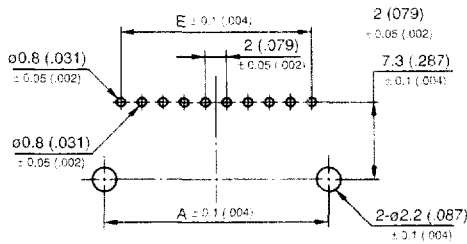
RECEPTACLE-RIGHT ANGLE



PLUG (WITH CABLE)



PCB Hole Pattern (Ref.)



- Note 1: Plug side contacts are different for 50Ω & 75Ω. Receptacle side is the same.
 Note 2: Applicable Cable
 50Ω: 0.8D-QEV
 75Ω: 8CV-E41447

No. of Contacts	Part Number			A	B ± 0.4 (± .016)	C ± 0.4 (± .016)	D	E
	Receptacle	Plug with Cable						
		50Ω	75Ω					
1	KD10-RRP-F-0	KD10-CA**-*PL-8DV	KD10-CA**-*PL-8CV	5.15 (.203)	6.7 (.264)	2.8 (.110)	3.54 (.139)	2 (.079)
1	KD10-RRP3-F-0	KD10-CA**-*PL3-8DV	KD10-CA**-*PL-8CV	13.15 (.518)	14.7 (.579)	10.8 (.425)	11.54 (.454)	10 (.393)
3	KD10-RRP5-F-0	KD10-CA**-*PL5-8DV	KD10-CA**-*PL3-8CV	21.15 (.833)	22.7 (.894)	18.8 (.740)	19.54 (.769)	18 (.709)
3	KD10-RRP8-F-0	KD10-CA**-*PL8-8DV	KD10-CA**-*PL3-8CV	33.15 (1.310)	34.7 (1.367)	30.8 (1.213)	31.54 (1.242)	30 (1.181)

- ** (1): Cable assemblies include connector length of 10mm (.039").
 If you require 60-800mm (2.36-31.5") cable, you should select cable length every 20mm (.79").
 For 840mm (33.1") and above, cable length is every 40mm (1.57").
 * (2): Blank-harness on one side, 2-harness will be on both sides.

Dimensions in mm (inches).

