

**NUMERICAL INDEX
TO INDUSTRIAL
GRADE POWER
TRANSISTORS
(Continued)**

BB DE 8254022 0000796 3

T-33-11

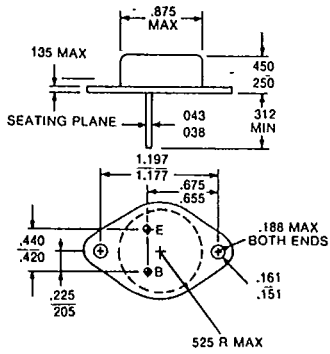
Type	Polarity	I _c Max Amps	V _{CE0} (sus) Volts	Package
2N5733	NPN	30.0	80	TO-63
2N5734	NPN	30.0	80	TO-3
2N5737	PNP	10.0	60	TO-3
2N5738	PNP	10.0	100	TO-3
2N5739	PNP	10.0	60	TO-66
2N5740	PNP	10.0	100	TO-66
2N5741	PNP	20.0	60	TO-3
2N5742	PNP	20.0	100	TO-3
2N5743	PNP	20.0	60	TO-66
2N5744	PNP	20.0	100	TO-66
2N5745	PNP	20.0	80	TO-3
2N5758	NPN	6.0	100	TO-3
2N5759	NPN	6.0	120	TO-3
2N5760	NPN	6.0	140	TO-3
2N5784	NPN	3.5	80	TO-5
2N5785	NPN	3.5	65	TO-5
2N5786	NPN	3.5	45	TO-5
2N5804	NPN	5.0	225	TO-3
2N5805	NPN	5.0	300	TO-3
2N5838	NPN	3.0	275(V _{CER})	TO-3
2N5839	NPN	3.0	300(V _{CER})	TO-3
2N5840	NPN	3.0	375(V _{CER})	TO-3
2N5853	PNP	10.0	80	TO-61
2N5854	PNP	10.0	80	TO-61
2N5864	PNP	1.5	70	TO-39
2N5865	PNP	1.0	50	TO-39
2N5867	PNP	5.0	60	TO-3
2N5868	PNP	5.0	80	TO-3
2N5869	NPN	5.0	60	TO-3
2N5870	NPN	5.0	80	TO-3
2N5871	PNP	7.0	60	TO-3
2N5872	PNP	7.0	80	TO-3
2N5873	NPN	7.0	60	TO-3
2N5874	NPN	7.0	80	TO-3
2N5875	PNP	10.0	60	TO-3
2N5876	PNP	10.0	80	TO-3
2N5877	NPN	10.0	60	TO-3
2N5878	NPN	10.0	80	TO-3
2N5879	PNP	15.0	60	TO-3
2N5880	PNP	15.0	80	TO-3
2N5881	NPN	15.0	60	TO-3
2N5882	NPN	15.0	80	TO-3
2N5883	PNP	25.0	60	TO-3
2N5884	PNP	25.0	80	TO-3
2N5885	NPN	25.0	60	TO-3
2N5886	NPN	25.0	80	TO-3
2N5926	NPN	50.0	120	TO-63
2N5927	NPN	100.0	120	TO-114
2N5928	NPN	100.0	120	TO-114
2N5929	NPN	30.0	80	TO-3
2N5930	NPN	30.0	120	TO-3
2N5931	NPN	30.0	160	TO-3
2N5932	NPN	30.0	60	TO-3
2N5933	NPN	30.0	100	TO-3
2N5934	NPN	30.0	140	TO-3

Type	Polarity	I _c Max Amps	V _{CE0} (sus) Volts	Package
2N5935	NPN	30.0	80	TO-3
2N5936	NPN	30.0	120	TO-3
2N5937	NPN	30.0	160	TO-3
2N5939	NPN	10.0	80	TO-111
2N5940	NPN	10.0	70	TO-111
2N5954	PNP	6.0	80	TO-66
2N5955	PNP	6.0	60	TO-66
2N5956	PNP	6.0	40	TO-66
2N5957	NPN	20.0	100	TO-61
2N5958	PNP	20.0	100	TO-61
2N5959	NPN	20.0	100	TO-66
2N5960	PNP	20.0	100	TO-61
2N5966	NPN	30.0	100	TO-63
2N5967	PNP	30.0	100	TO-63
2N5968	NPN	30.0	100	TO-63
2N5970	NPN	15.0	80	TO-3
2N5971	NPN	15.0	80	TO-3
2N5972	NPN	15.0	90	TO-3
2N5973	NPN	15.0	100	TO-3
2N6029	PNP	16.0	100	TO-3
2N6030	PNP	16.0	120	TO-3
2N6031	PNP	16.0	140	TO-3
2N6032	NPN	50.0	90	TO-3
2N6033	NPN	40.0	120	TO-3
2N6046	NPN	20.0	60	TO-63
2N6047	NPN	20.0	100	TO-63
2N6048	NPN	20.0	140	TO-63
2N6049	PNP	4.0	55	TO-66
2N6050	PNP	6.0	60	TO-3
2N6051	PNP	6.0	80	TO-3
2N6052	PNP	12.0	100	TO-3
2N6053	PNP	8.0	60	TO-3
2N6054	PNP	4.0	80	TO-3
2N6055	NPN	8.0	60	TO-3
2N6056	NPN	8.0	80	TO-3
2N6057	NPN	12.0	60	TO-3
2N6058	NPN	12.0	80	TO-3
2N6059	NPN	12.0	100	TO-3
2N6060	NPN	50.0	100	TO-63
2N6061	PNP	50.0	100	TO-63
2N6077	NPN	7.0	275	TO-66
2N6078	NPN	7.0	250	TO-66
2N6079	NPN	7.0	350	TO-66
2N6127	PNP	10.0	80	TO-61
2N6128	NPN	10.0	80	TO-61
2N6182	PNP	10.0	80	TO-59
2N6183	PNP	10.0	80	TO-59
2N6184	PNP	10.0	100	TO-59
2N6185	PNP	10.0	100	TO-59
2N6186	PNP	10.0	80	TO-59
2N6187	PNP	10.0	80	TO-59
2N6188	PNP	10.0	100	TO-59
2N6189	PNP	10.0	100	TO-59
2N6190	PNP	5.0	80	TO-39
2N6191	PNP	5.0	80	TO-39

For additional JEDEC 2NXXXX, see numerical index on page 9.

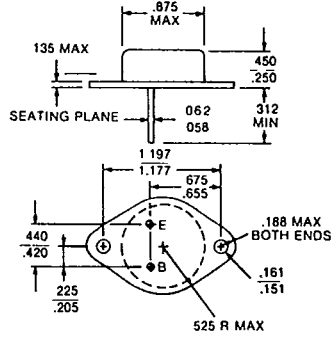
PACKAGE DESCRIPTIONS AND OUTLINE DRAWINGS

TO-3 PACKAGE



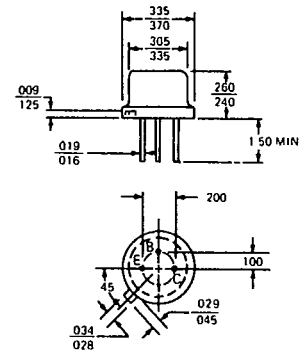
Collector is connected to case.

MODIFIED TO-3 PACKAGE
(60 mil pins)



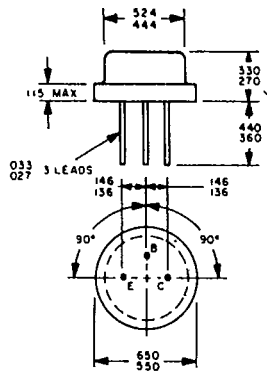
Collector is connected to case.

TO-5 PACKAGE



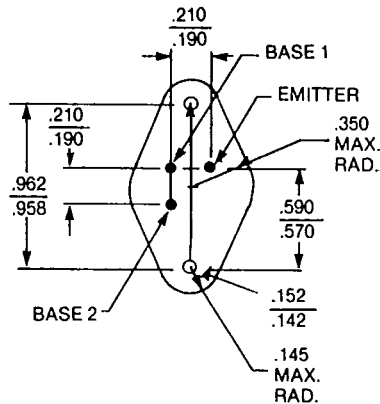
Collector is connected to case.

TO-8 PACKAGE



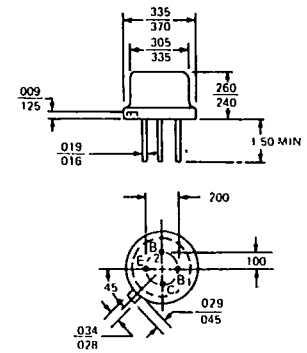
Collector is connected to case.

F-24 PACKAGE
(3-LEADED TO-66)



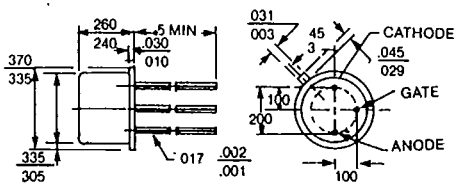
Collector is connected to case.

TO-33 PACKAGE



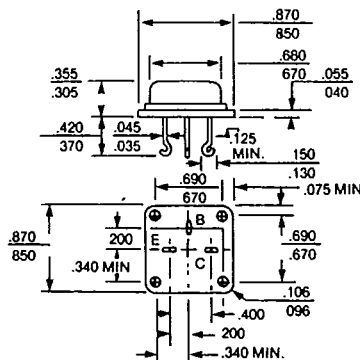
Collector is connected to case.

TO-39 PACKAGE



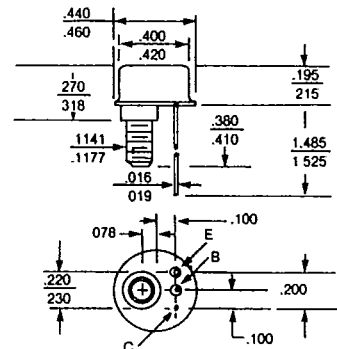
Collector is connected to case.

TO-53 PACKAGE



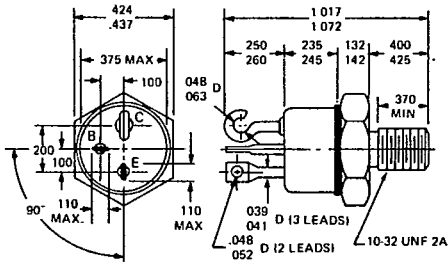
Collector is connected to case.

TO-57 PACKAGE



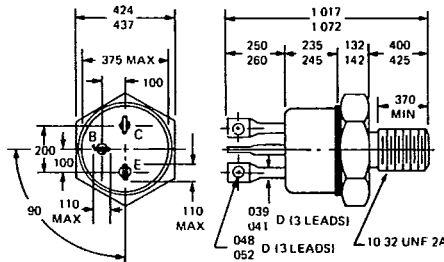
Collector is connected to case.

TO-59 PACKAGE



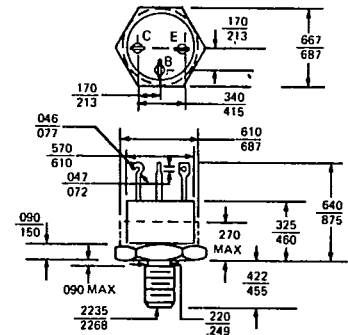
Collector is connected to case.

TO-59 PACKAGE ISOLATED COLLECTOR



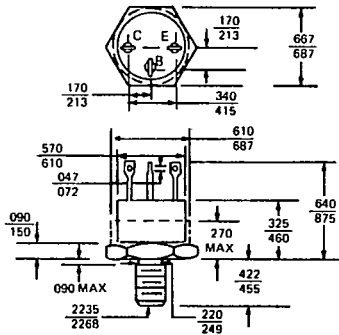
Collector is electrically isolated from case.

TO-61 PACKAGE



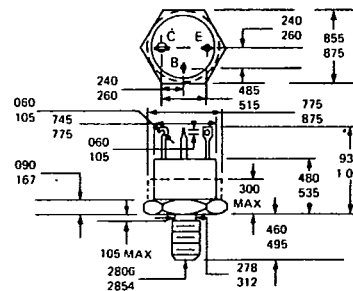
Collector is connected to case.

TO-61 PACKAGE ISOLATED COLLECTOR



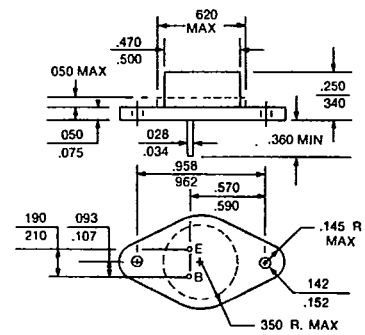
Collector is electrically isolated from case.

TO-63 PACKAGE



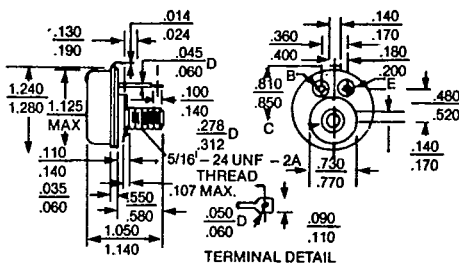
Collector is connected to case.

TO-66 PACKAGE



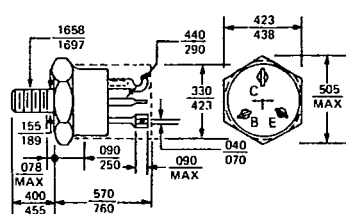
Collector is connected to case.

TO-82 PACKAGE



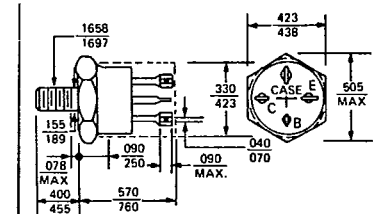
Collector is connected to case.

TO-111 PACKAGE



Collector is connected to case.

TO-111 PACKAGE ISOLATED COLLECTOR



Collector is electrically isolated from case.