

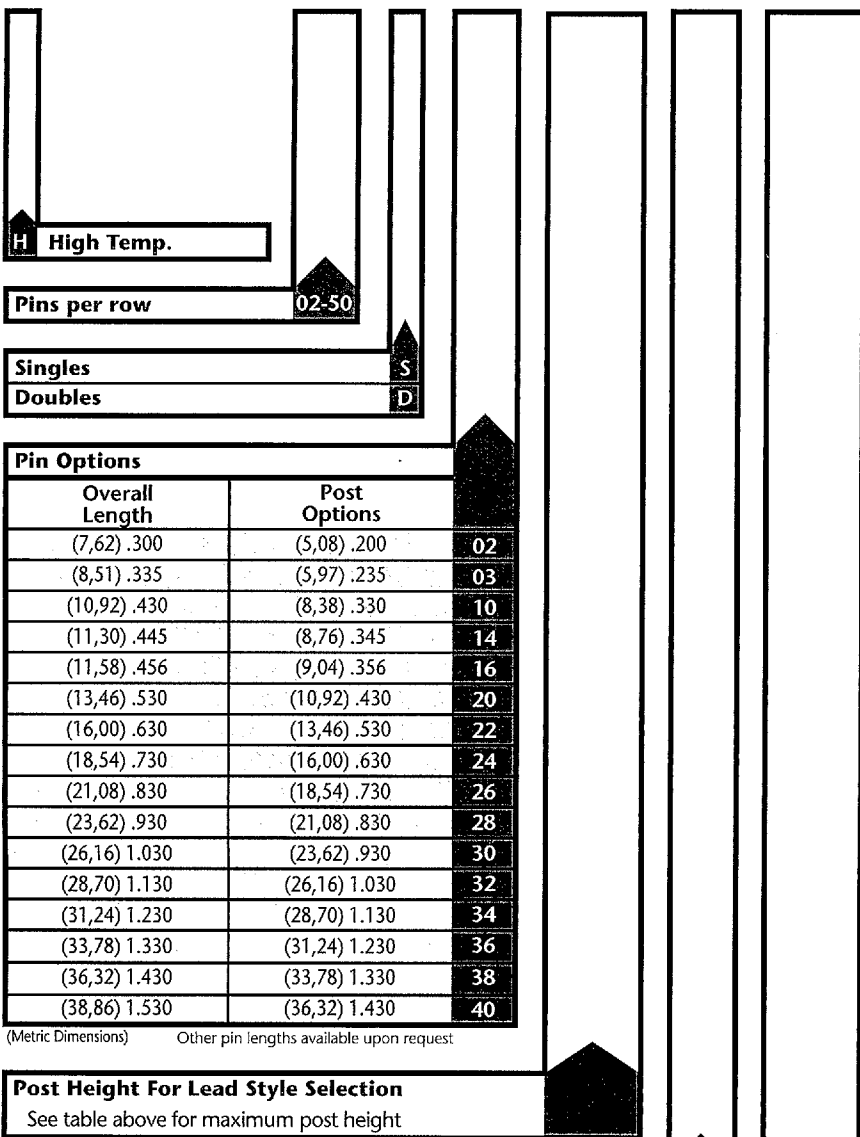
MAJOR LEAGUE ELECTRONICS

.100" c.l. Zero Profile Header

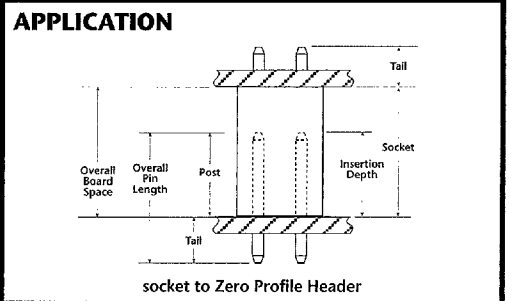
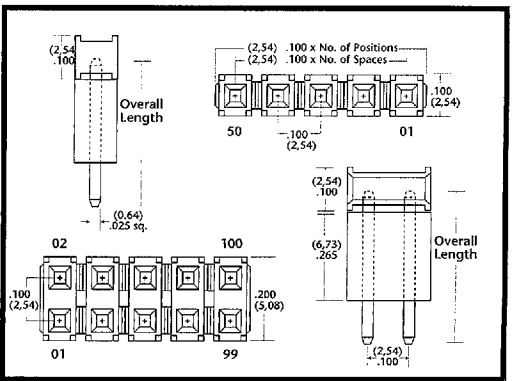
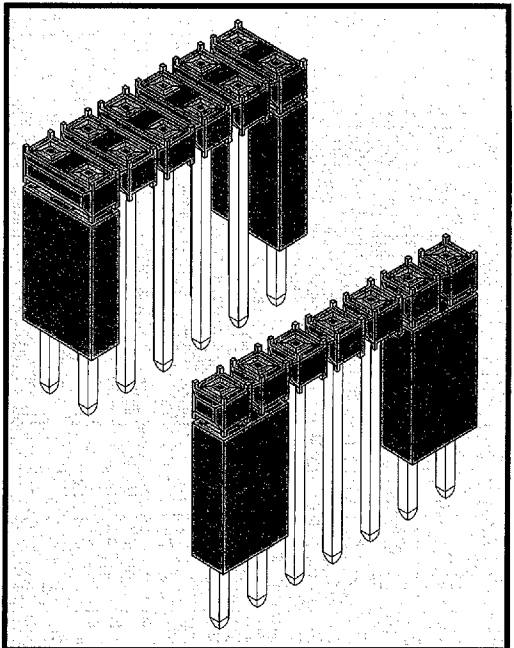


.100"

T S H C P - 1



Mates with: SSSH, SSSR, SH, BSSH, BSSQ, BSSHC, SSSM, SSHQ, SSQR



G = 10μ in gold in contact area, gold flash on tail	G
GT = 10μ in gold in contact area, 200μ in tin/lead on tail	GT
H = 30μ gold on contact area, 200μ in tin/lead on tail	H
T = 200μ in tin/lead over entire pin	T

Other plating options available upon request

Position for Polarization Option 001-100

Product cut to specific sizes is noncancellable/nonreturnable. Parts are subject to change without notice.

Materials & Performance Specifications

	STANDARD	HIGH TEMPERATURE
Insulator	Black, glass filled, polyester	High temperature thermoplastic
Terminal	Phosphor Bronze	Phosphor Bronze
Insulation Resistance	5,000M Ω minimum	5,000M Ω minimum
Flammability	UL 94V-O	UL 94V-O
Temperature Range	-65°C to +125°C	-65°C to +250°C
Current Rating	3 ampere	3 ampere
Plating	All Plating Options over 50μ in Ni	All Plating Options over 50μ in Ni



Delivery On Time Every Time... Or The Order's Free!

Phone: 812-944-7244 • Facsimile: 812-944-7268 • Email: mle@iglou.com