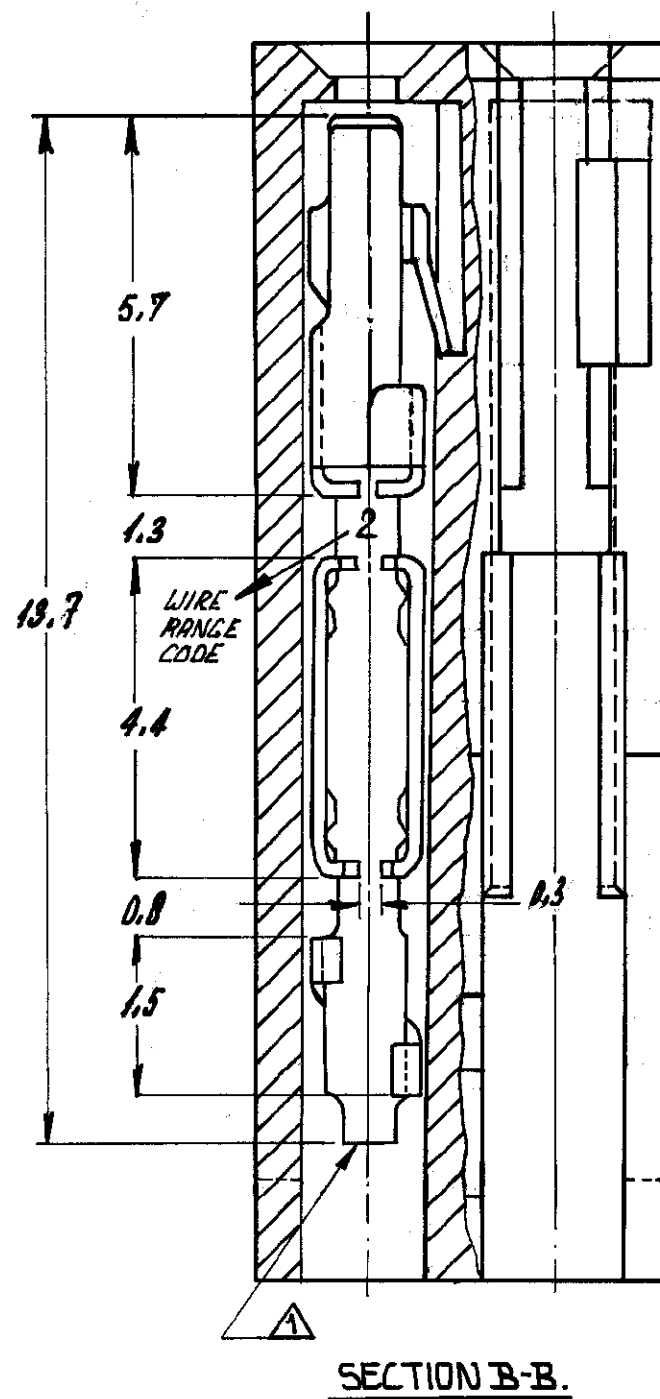
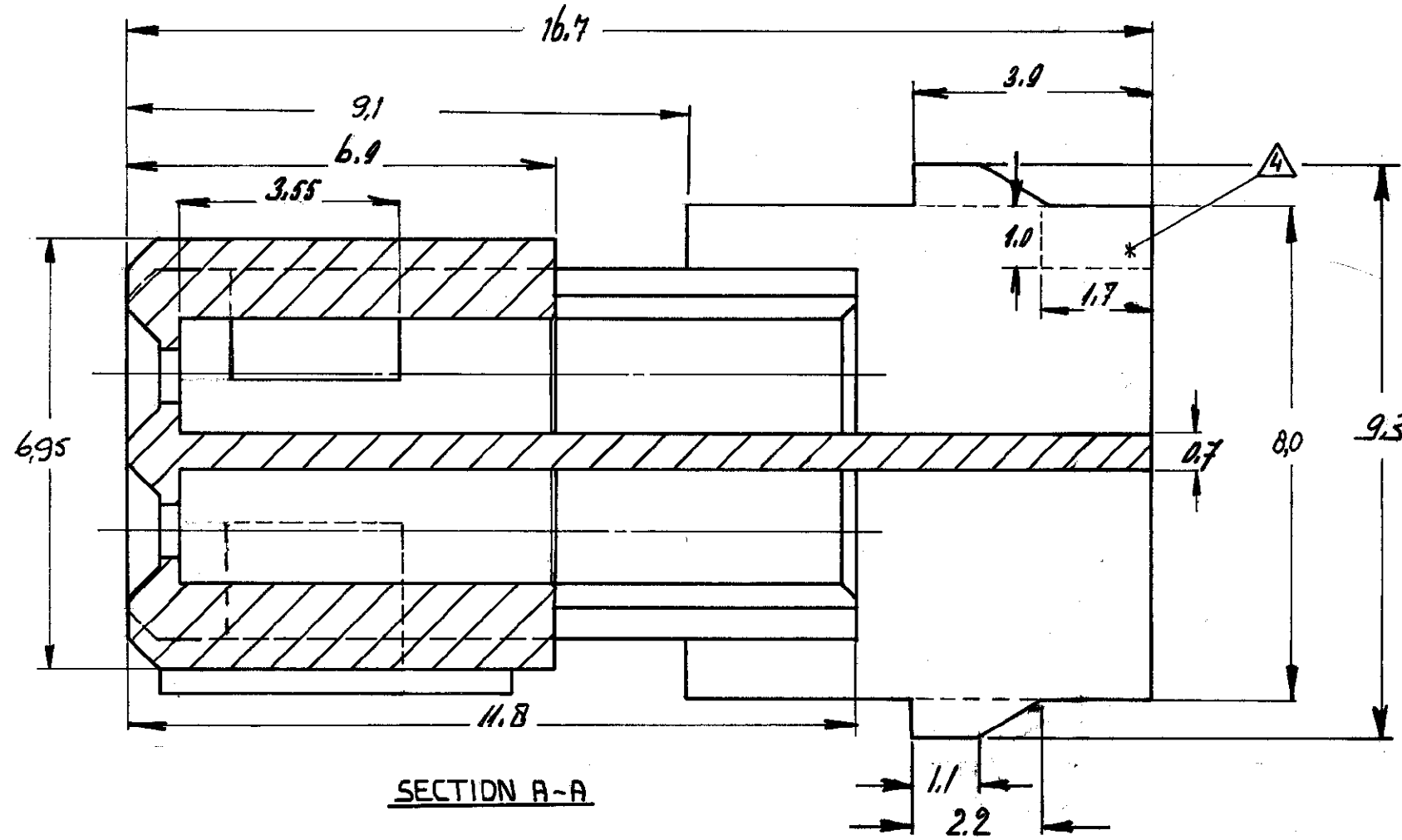
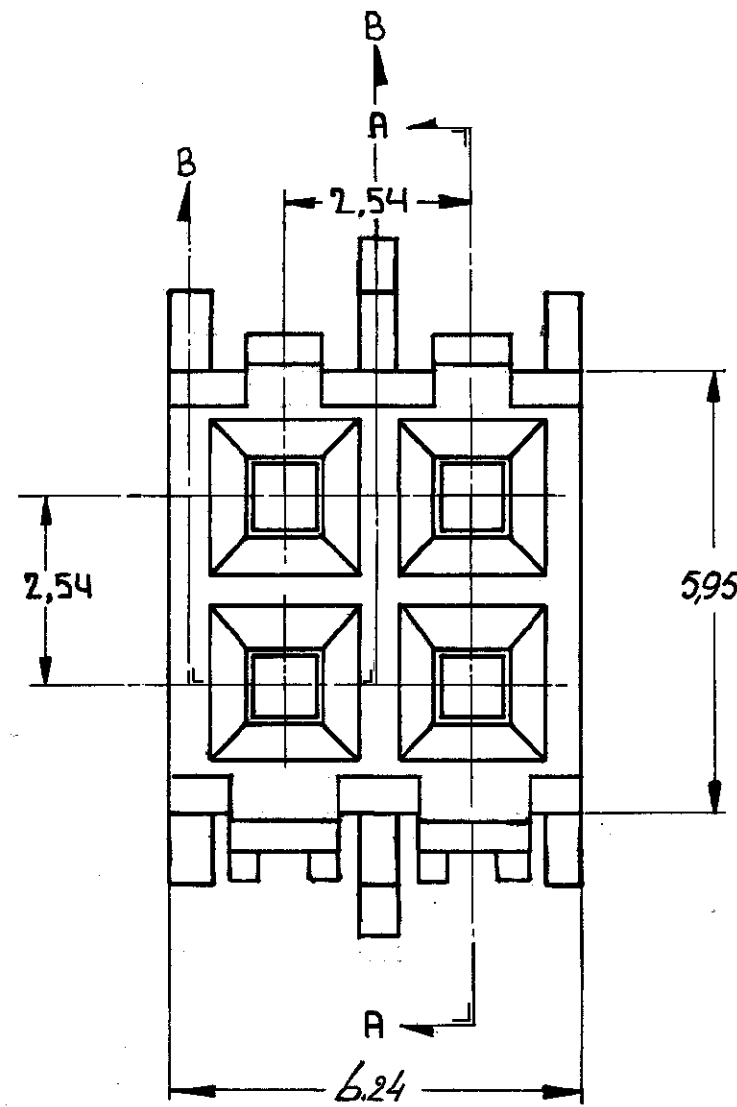


USED ON



NOTES CONT'D

- ⚠ CONNECTOR PRINTED WITH DATE CODE, WIRE SIZE AND SOLDER PLATING THICKNESS.
- ⚠ PLATING SAME AS -1, ONLY 13 μm Au OVER 125 μm Ni.
- ⚠ PLATING SAME AS -1, ONLY 10 μm Au OVER 125 μm Ni.

NOTES:

- ⚠ ALL CAVITIES LOADED WITH CONTACTS, ONE CONTACT SHOWN ONLY.
- ⚠ HOUSING: THERMO PLASTIC POLYESTER GLASS FILLED, GRAY.
- ⚠ CONTACTS: PHOSPHOR BRONZE.
- ⚠ CONTACT AREA: 0.8 μm GOLD OVER 0.5 μm NICKEL. TERMINATION AREA: BRIGHT TIN/LEAD.
- ⚠ TWO POLARISING - OPENINGS FOR COVER, ONLY IN OUTER WALLS AT SIDE OF NARROW RIBS ONLY.
- ⚠ SAME AS -1 ONLY 2.0 μm GOLD.
- ⚠ CONNECTOR MARKED WITH DATE - CODE.

2-166501-6	⚠	SAME AS -6
2-166501-5	⚠	SAME AS -5
166501-6		SEE NOTE ⚠
166501-5		SEE NOTE ⚠
166501-4		SAME AS -1, ONLY 125 μm Au.
166501-3	⚠	
166501-2	⚠	
166501-1	⚠	
ORDER NO.	MATERIAL	PLATING

CUSTOMER COPY FOR REFERENCE ONLY

DR L. VAN DER HEYDEN.	DATE	© 1980 BY AMP-HOLLAND N.V. ALL RIGHTS RESERVED A-MP PRODUCTS COVERED BY PATENTS AND/OR PATENTS PENDING.		 AMP - HOLLAND N.V. 's-Hertogenbosch
CHK [Signature]	DATE 13/8-80	WIRE-RANGE	INSUL-RANGE	
DE	DATE	SCALE 10:1	SIZE C	NO C-166501
APP [Signature]	DATE 20.8.80	NAME 2x2 POS. 11.T. CABLE CONNECTOR AUG 26-80		

This information is confidential and is disclosed to you on condition that no further disclosure is made by you to other than AMP personnel without written authorization from AMP-HOLLAND N.V.

PRINT DIST

DIMENSIONS IN MILLIMETERS - DIMENSIONS THUS () IN MILLIMETERS - DO NOT SCALE PRINT

[Home](#)[Part Number Search](#)[Text Search](#)[Alternate Part Search](#)[Multiple Part Comparison](#)[Alphabetical Search](#)[Brand Search](#)[Industry Product Search](#)[Product Type Search](#)[Product Family Search](#)[Competitor Cross Reference](#)[Document Number Search](#)[Lead Free Solutions](#)[Help/Glossary](#)**Current Brand View**

AMP

[View All Tyco Electronics Brands](#)

Click to activate links to all other products

AMPMODU**MTE, MT, Level V IDC, Tandem Spring Products****.100 Centerline IDC (MTE, MT, RV 100/RV100-4)**

AMP

166501-1 -- 2 of 7 products**(Tyco Electronics P/N: 166501-1)**[Previous](#)[Next](#)[Sales Information](#)[AMP ACES](#)[Step Search Screen](#)[Related Documents](#)[General Information](#)[Pricing](#)[Product Availability](#)**Please use the customer drawing for all design activity.****■ Customer Drawing: 166501, Rev. M**Document Title: 2x2 position mass termination cable connector
awg 26-22[165085.pdf](#) [165085.pdf](#) (67K)**Searchable Features:**

Brand:	AMP
Product Type:	Connector Assembly
No. of Positions:	4
No. of Rows:	Dual
Terminate To:	Wire
Centerline Spacing (mm [in]):	2.54 x 2.54 [.100 x .100]
Mating Polarization:	No

Other Properties:

Wire Termination Type:	IDC
Housing Material:	Thermoplastic Polyester
Housing Flammability Rating:	UL 94V-0
Rows Loaded:	Fully Loaded

Wire Range (mm [AWG]):	0.15-0.32 [26-22]
Contact Type:	MT (IDC)
Contact Mating Area Plating:	Gold (30) over Nickel (50)
Contact Material:	Copper Tin
Color:	Gray

[Copyright](#) and [Privacy Statement](#)

Visit [Tyco International, Ltd.](#)

[Products](#) | [Brands](#) | [Industries](#) | [Customer Service](#) | [About](#) | [Home](#)