

Dialight

249 Series

LED Panel Mount Indicators for 3/8" Mounting Hole



FEATURES / BENEFITS

- ▲ Long life – typically 100K hours
- ▲ Low power consumption – uses up to 90% less energy than an incandescent indicator
- ▲ Front or rear panel mounting
- ▲ Available in either cylindrical or stovepipe lens, unique internal fresnel design provides uniform illumination
- ▲ Aluminum black anodized housing enhances contrast
- ▲ No heat generate
- ▲ Resistant to shock and vibration
- ▲ Colors include – red, green, yellow and blue
- ▲ Polarity indication by terminal (+) denotes anode

APPLICATIONS

Dialight's 249 series LED panel mount indicator is available with a variety of LEDs as well as neon for 120 VAC operation. Typical applications for the 249 series include:

- Main and remote power indication
- Maintenance and warning indication
- Process Control
- Status indication
- Instrumentation
-and many more!

SPECIFICATIONS

- ▲ Voltage requirements: 3.6, 5, 10, 14 and 28 VDC*
(No current limiting resistor required)
- ▲ Electrical connection: Turret terminals for wire wrapping
- ▲ Mounting hole size: 0.375" (9.53 mm)
- ▲ Operating temperature: -20° to +85°C
- ▲ Storage temperature: -40° to +100°C
- ▲ Panel thickness: 0.031-0.312" (.787 – 7.92 mm)
- ▲ Mounts with knurled flange nut, lock washer and nut.

* Dialight recommends tolerance of 5% of specified voltage range

STOVEPIPE LENS

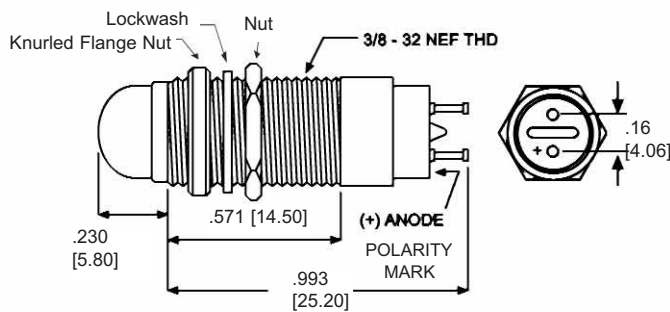


Figure 1

CYLINDRICAL LENS 1

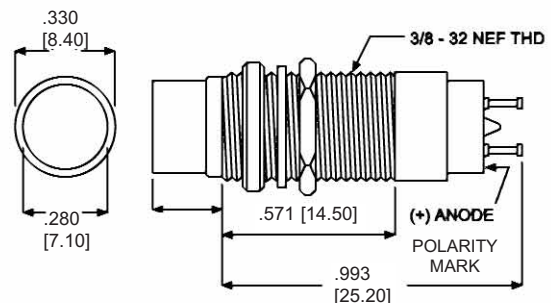


Figure 2

NOTES:

1. Dimensions in inches [mm]
2. All measurements are typical
3. Hardware includes knurled ring, lock washer & hex nut

1. Cylindrical lens will provide wider viewing angle.

Dialight Corporation

1501 Route 34 South • Farmingdale, NJ 07727 USA

Tel: (1) 732-919-3119 • Fax: (1) 732-751-5778 • www.dialight.com



MDEL249X001_B



249 Series LED Panel Mount Indicators for 3/8" Mounting Hole

STOVEPIPE CAP

| PART NUMBER | COLOR | VOLTAGE (VDC)* | CURRENT (mA) | INTENSITY TYP (mcd) | FIGURE |
|-------------------|--------|----------------|--------------|---------------------|--------|
| 249-4162-3734-504 | Blue | 3** | 10 | 1500 | 1 |
| 249-7867-3731-504 | Red | 3.6 | 20 | 170 | 1 |
| 249-7967-3732-504 | Green | 3.6 | 20 | 100 | 1 |
| 249-8067-3733-504 | Yellow | 3.6 | 20 | 150 | 1 |
| 249-4164-3734-504 | Blue | 5 | 10 | 1500 | 1 |
| 249-7868-3731-504 | Red | 5 | 20 | 170 | 1 |
| 249-7968-3732-504 | Green | 5 | 20 | 100 | 1 |
| 249-8068-3733-504 | Yellow | 5 | 20 | 150 | 1 |
| 249-4166-3734-504 | Blue | 10 | 10 | 1500 | 1 |
| 249-7870-3731-504 | Red | 10 | 20 | 170 | 1 |
| 249-7970-3732-504 | Green | 10 | 20 | 100 | 1 |
| 249-8070-3733-504 | Yellow | 10 | 20 | 150 | 1 |
| 249-4167-3734-504 | Blue | 14 | 10 | 1500 | 1 |
| 249-7871-3731-504 | Red | 14 | 20 | 170 | 1 |
| 249-7971-3732-504 | Green | 14 | 20 | 100 | 1 |
| 249-8071-3733-504 | Yellow | 14 | 20 | 150 | 1 |
| 249-4168-3734-504 | Blue | 28 | 10 | 1500 | 1 |
| 249-7872-3731-504 | Red | 28 | 20 | 170 | 1 |
| 249-7972-3732-504 | Green | 28 | 20 | 100 | 1 |
| 249-8072-3733-504 | Yellow | 28 | 20 | 150 | 1 |

CYLINDRICAL CAP

| PART NUMBER | COLOR | VOLTAGE (VDC)* | CURRENT (mA) | INTENSITY TYP (mcd) | FIGURE |
|-------------------|--------|----------------|--------------|---------------------|--------|
| 249-4162-3334-504 | Blue | 3** | 10 | 700 | 2 |
| 249-7867-3331-504 | Red | 3.6 | 20 | 55 | 2 |
| 249-7967-3332-504 | Green | 3.6 | 20 | 40 | 2 |
| 249-8067-3333-504 | Yellow | 3.6 | 20 | 75 | 2 |
| 249-4164-3334-504 | Blue | 5 | 10 | 700 | 2 |
| 249-7868-3331-504 | Red | 5 | 20 | 55 | 2 |
| 249-7968-3332-504 | Green | 5 | 20 | 40 | 2 |
| 249-8068-3333-504 | Yellow | 5 | 20 | 75 | 2 |
| 249-4166-3334-504 | Blue | 10 | 10 | 700 | 2 |
| 249-7870-3331-504 | Red | 10 | 20 | 55 | 2 |
| 249-7970-3332-504 | Green | 10 | 20 | 40 | 2 |
| 249-8070-3333-504 | Yellow | 10 | 20 | 75 | 2 |
| 249-4167-3334-504 | Blue | 14 | 10 | 700 | 2 |
| 249-7871-3331-504 | Red | 14 | 20 | 55 | 2 |
| 249-7971-3332-504 | Green | 14 | 20 | 40 | 2 |
| 249-8071-3333-504 | Yellow | 14 | 20 | 75 | 2 |
| 249-4168-3334-504 | Blue | 28 | 10 | 700 | 2 |
| 249-7872-3331-504 | Red | 28 | 20 | 55 | 2 |
| 249-7972-3332-504 | Green | 28 | 20 | 40 | 2 |
| 249-8072-3333-504 | Yellow | 28 | 20 | 75 | 2 |

* Dialight recommends tolerance of 5% of specified voltage range

** Requires current limiting resistor

Dialight Corporation

1501 Route 34 South • Farmingdale, NJ 07727 USA

Tel: (1) 732-919-3119 • Fax: (1) 732-751-5778 • www.dialight.com



MDEL249X001_B