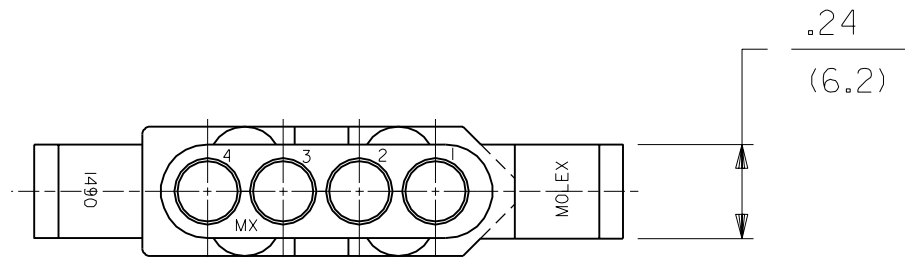
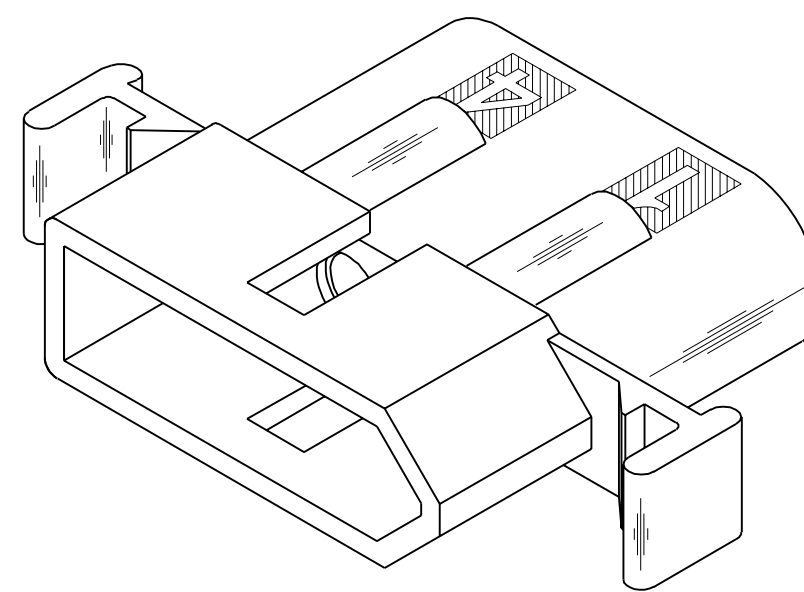
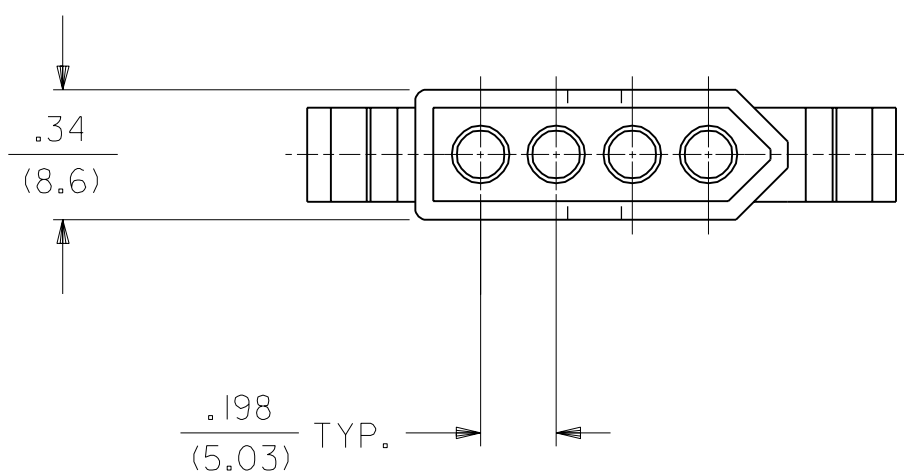
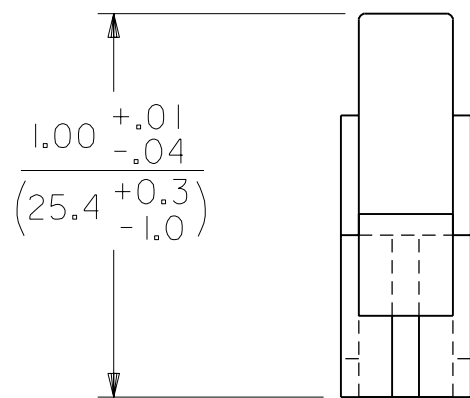
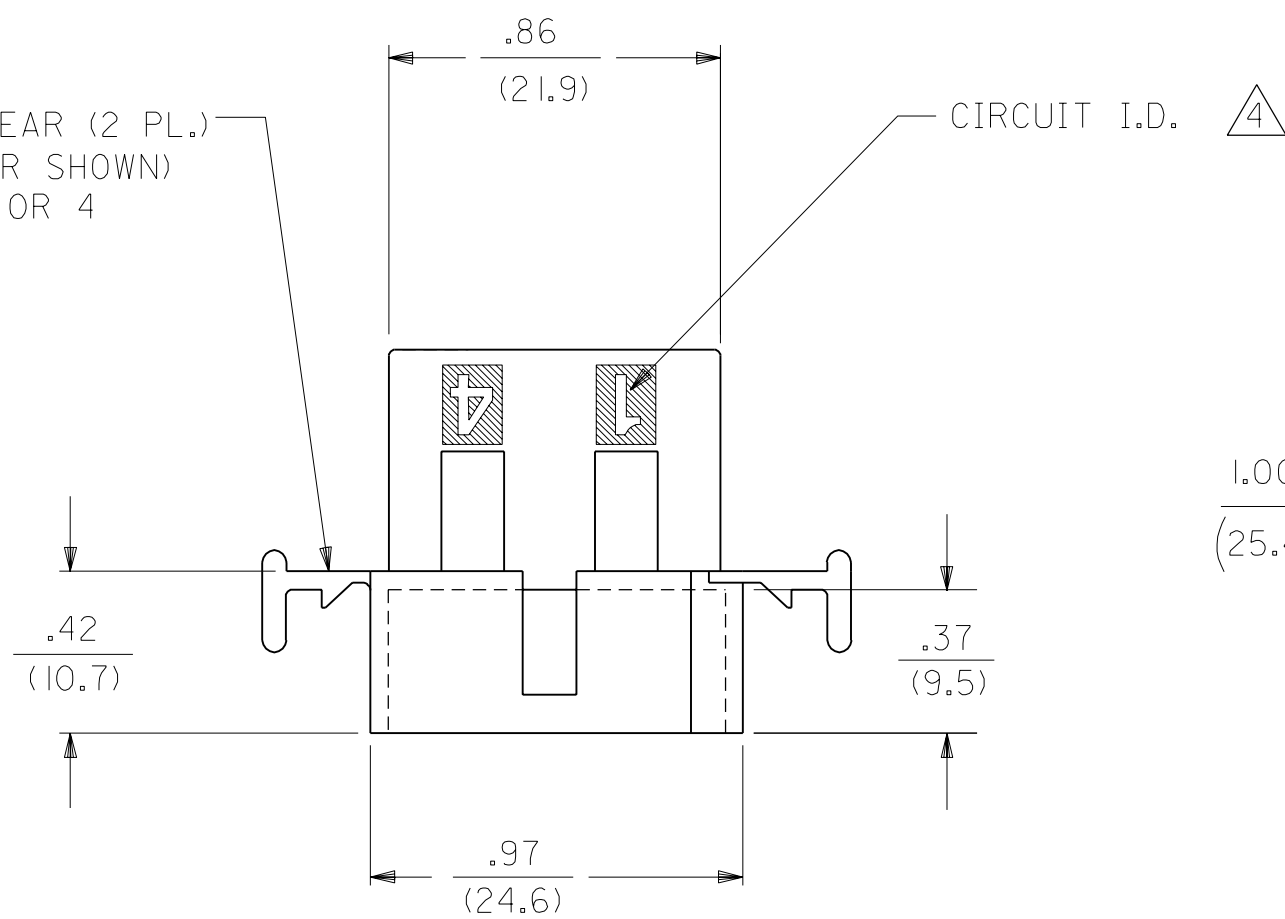


PLUG



OPTIONAL MOUNTING EAR (2 PL.)
(STD. MOUNTING EAR SHOWN)
SEE DETAIL 3 OR 4



PLUG HOUSING

T	ADD -PIBU VERSION PER ECN #U3 1537 10-21-93 RW
S	REVISE PER ECR U1 1686 8/9/91 RW
RI	ADD EDP'S & REVISE SUFFIXES, ECR U10834 4/24/91 RW
R	REV. LENGTH TOL. ECN #U1 0685 3-22-91 RW
P	REV. & REDRAWN, ECR U8 1139 GEP 3-8-88 RW

T	3	T
T	2	T
T	1	T
MFG.	SH.	REV.
LTR.	REVISIONS	

DIMENSIONS SHOWN (METRIC) INCH
UNLESS OTHERWISE SPECIFIED TOLERANCES: ANGULAR $\pm \frac{1}{10} \circ$

	INCH	METRIC
3 PLACE	$\pm .010$	---
2 PLACE	$\pm .014$	± 0.25
1 PLACE	---	± 0.35

DRAFT WHERE APPLICABLE MUST REMAIN WITHIN DIMENSIONS

REVISIONS: $\nabla = 0$ $\blacktriangledown = 0$ REVISE ONLY ON CAD SYSTEM

TITLE: .093/(2.36) HOUSING, PLUG AND RECEPTACLE, 4 CKT., .198/(5.03) CTRS.

MOLEX INCORPORATED, LISLE, ILL. 60532 U.S.A.

PART NO. SD-1490-1 DRWG. NO. SD-1490-*

SEE CHART

DATE: 3/9/88

DRWG. BY	GEP	CHK'D. BY	RW
APP'D. BY	RAS	SCALE	2 : 1

FILE NAME	SD1490X1 DGN	DIV.	CP	SIZE	C
-----------	--------------	------	----	------	---

THIS DRAWING CONTAINS INFORMATION THAT IS PROPRIETARY TO MOLEX INC. AND SHOULD NOT BE USED WITHOUT WRITTEN PERMISSION

