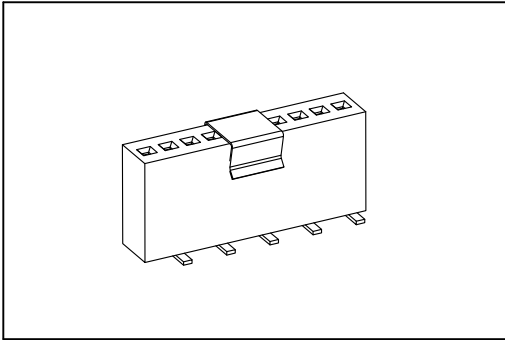


2245 Series

P.C.B. Socket 1.27mm(0.050")



Material:

Housing: High Temperature Plastic UL94V-0.

Contacts: Copper Alloy.

Electrical Characteristics:

Current Rating: 1 A.

Dielectric Withstanding Voltage: AC 300V.

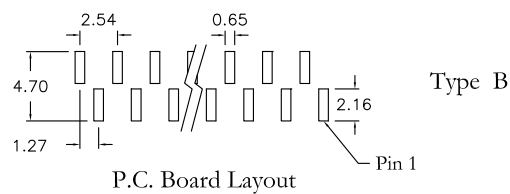
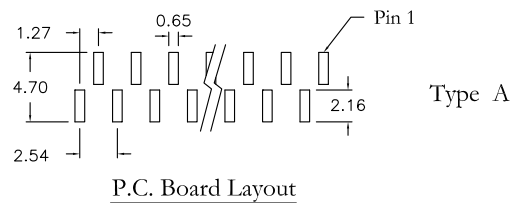
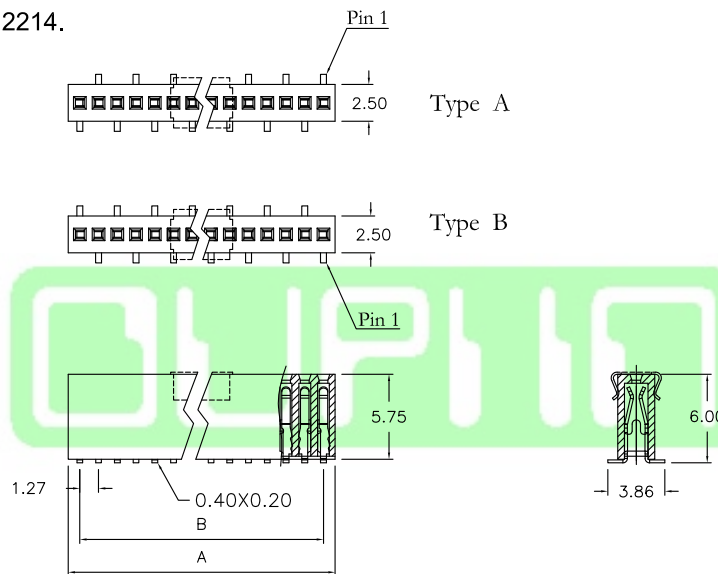
Insulator Resistance: 1000MΩ min.

Contact Resistance: 20mΩ max.

Operating Temperature: -40°C~+105°C.

Features:

- * Surface Mount.
 - * Low profile 5.75mm(0.226").
 - * Mates with 0.46mm(0.018") square pin.
 - * Additional plating options available.
- Mates with: 2211,2212,2214.



Position Dimension	02 Thru 50
A	1.27 X No. of Positions +0.3
B	1.27 X No. of Positions -1.27

Ordering information

2245- Series
1 Single Row
X No. of Pin Per Row
50
G G: Gold Plated
00 00: G/F
D D: SMD Type
A A: Type A
B B: Type B
U U: Tube Package
T T: Tape & Reel Package
-
M M: Metal Pad