

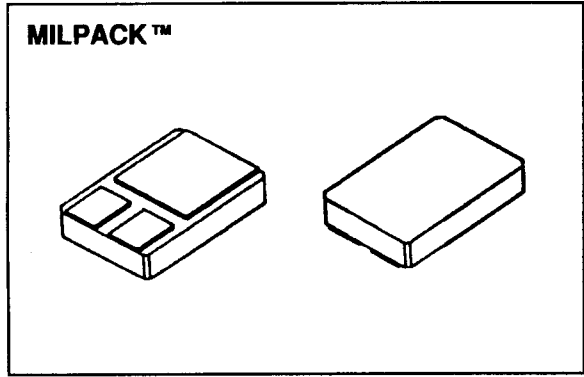
**SDR953
 thru
 SDR955**

Designer's Data Sheet

- FEATURES:**
- Hyper Fast Recovery: 35 nsec Maximum
 - High Surge Rating
 - Low Reverse Leakage Current
 - Low Junction Capacitance
 - Hermetically Sealed Surface Mount Package
 - Gold Eutectic Die Attach available
 - Ultrasonic Aluminum Wire Bonds

 - TX, TXV and Space Level Screening Available

**50 AMP
 300-500 VOLTS
 35 nsec
 HYPER FAST
 RECTIFIER**



MAXIMUM RATINGS

RATING	SYMBOL	VALUE	UNIT
Peak Repetitive Reverse and DC Blocking Voltage	VRRM	300	Volts
	VRWM	400	
	VR	500	
Average Rectified Forward Current (Resistive Load, 60Hz, Sine Wave, TA=25°C)	IO	50	Amps
Peak Surge Current (8.3 ms Pulse, Half Sine Wave, TA=25°C)note 1	IFSM	800	Amps
Operating and storage temperature	Top & Tstg	-65 to +200	°C
Maximum Thermal Resistance Junction to Case	RθJC	0.8	°C/W

pin 1 connect pins 2 & 3 together

SDR953 thru SDR955

PRELIMINARY



SOLID STATE DEVICES, INC

14849 Firestone Boulevard · La Mirada, CA 90638
Phone: (714) 670-SSDI (7734) · Fax: (714) 522-7424

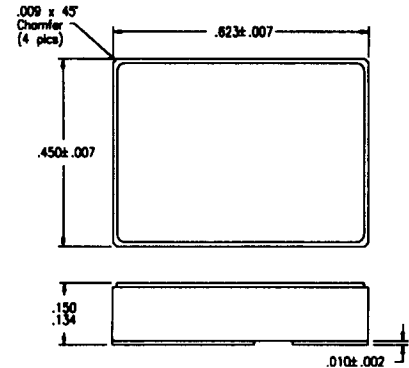
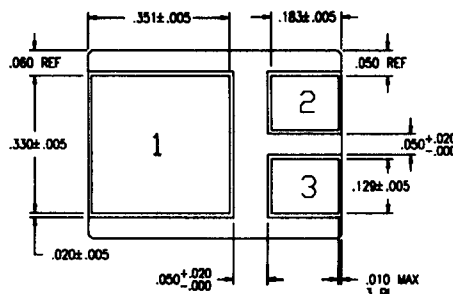
ELECTRICAL CHARACTERISTICS

CHARACTERISTICS	SYMBOL	MAXIMUM	UNIT
Instantaneous Forward Voltage Drop (IF = 25 Adc, TA=25°C, 300µs Pulse) note 1 (IF = 50 Adc, TA=25°C, 300µs Pulse) note 1	VF	1.20 1.45	Vdc
Instantaneous Forward Voltage Drop (IF = 25 Adc, TA= 100°C, 300µs Pulse) (IF = 25 Adc, TA= - 55°C, 300µs Pulse)	VF	1.10 1.30	Vdc
Reverse Leakage Current (Rated VR, TA=25°C, 300µs pulse minimum)	IR	100	µA
Reverse Leakage Current (Rated VR, TA=100°C, 300µs pulse minimum)	IR	10	mA
Junction Capacitance (VR = 10 Vdc, TA=25°C, f= 1 MHz)	CJ	250	pf
Reverse Recovery Time (IF=500mA, IR=1 A, IRR=250mA, TA=25°C)	trr	35	nsec

CASE OUTLINE: MILPACK

PIN 1: CATHODE
PIN 2: ANODE
PIN 3: ANODE

NOTE 1:
Connect pins 2 & 3
in application.



TYPICAL OPERATING CURVES

TA=25°C Unless otherwise specified

