

METAL-CAN & EPOXY TRANSISTORS **COMMERCIAL/ENTERTAINMENT APPLICATIONS**

Device	VCEO Volts min	VCBO Volts min	VEBO Volts min	hFE at bias min/max	IC mA	VCE Volts max	ICM mA max	PTA mW max	ICBO μA typ	VCE(sat) Volts typ	fT MHz typ	Cob pf typ	ts nsec typ	Package
--------	----------------------	----------------------	----------------------	------------------------	----------	---------------------	------------------	------------------	-------------------	--------------------------	------------------	------------------	-------------------	---------

NPN HIGH VOLTAGE VIDEO TRANSISTORS

2N 3501 (TV)	150	150	6	20/	150	10	300	1000	0.05	0.4	150	8	300	TO-39
BD 115	180	245	5	22/	50	100	200	800	0.05	9	150	3.5		TO-39
BF 177	60	100	5	20/	15	10	50	600	0.05		120	2		TO-39
BF 178	115	185	5	20/	30	20	50	600	0.05		120	2		TO-39
BF 179	115	250	5	20/	20	15	50	600	0.05		120	2		TO-39
BF 336	180	185	5	20/	30	10	100	1000	0.10		50	3.5		TO-39
BF 337	200	250	5	20/	30	10	100	800	0.10		50	3.5		TO-39
BF 393	300	300	8	40/	10	10	200	625	0.10	2.0	50	2		TO-92

PNP DRIVER I.F./R.F. TRANSISTORS

CIL 415	15	32	4	100/300	1	10	60	200	0.10		200	4		TO-106
CIL 423A	12	12	4	150/450	1	10	60	150	0.10		250	3		TO-106
CIL 423B	12	12	4	125/260	1	10	60	150	0.10		250	3		TO-106
CIL 423C	12	12	4	170/340	1	10	60	150	0.10		250	3		TO-106
CIL 423D	12	12	4	240/500	1	10	60	150	0.10		250	3		TO-106
CIL 423F	12	12	4	300/600	1	10	60	150	0.10		250	3		TO-106
CIL 423K	12	12	4	500/1200	1	10	60	150	0.10		250	3		TO-106

NPN I.F./R.F TRANSISTORS

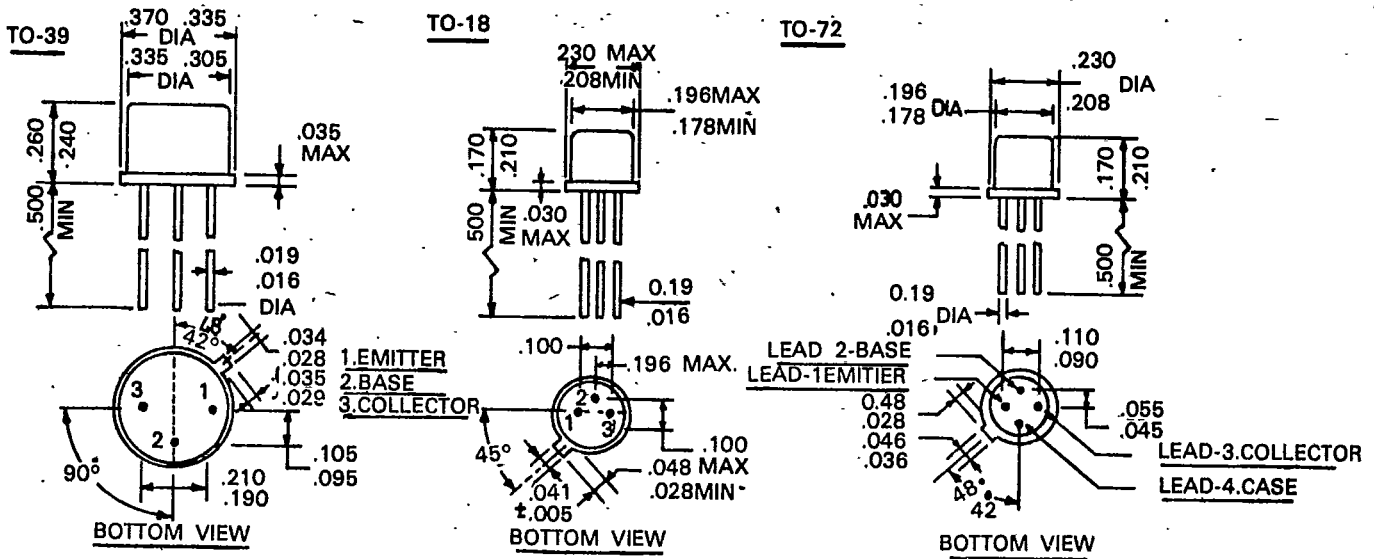
CIL 194	20	30	4	67/221	1	10	30	150	0.05		260	1.5		TO-106
CIL 194A	20	30	4	200/500	1	10	30	150	0.05		350	1.5		TO-106
CIL 194B	20	30	4	110/200	1	10	30	150	0.05		260	1.5		TO-106
CIL 195	20	30	4	35/125	1	10	30	150	0.05		200	1.5		TO-106
CIL 195C	20	30	4	71/110	1	10	30	150	0.05		200	1.5		TO-106
CIL 195D	20	30	4	38/71	1	10	30	150	0.05		200	1.5		TO-106
BF 494	20	30	5	67/221	1	10	30	300	0.05		260	1.5		TO-92
BF 494A	20	30	5	200/500	1	10	30	300	0.05		260	1.5		TO-92
BF 494B	20	30	5	110/200	1	10	30	300	0.05		260	1.5		TO-92
BF 495	20	30	5	35/125	1	10	30	300	0.05		260	1.5		TO-92
BF 495C	20	30	5	71/110	1	10	30	300	0.05		260	1.5		TO-92
BF 495D	20	30	5	38/71	1	10	30	300	0.05		260	1.5		TO-92
BF 167	30	40	4	25/	4	10	25	130			350			TO-72
BF 173	25	40	4	40/	7	10	25	260			350			TO-72
BF 200	20	30	3	15/	3	10	20	150			550			TO-72
2N 3553	40	65	4	10/	250	5	1000	1000	0.2	0.3	500	0.7		TO-39

HIGH FREQUENCY N-CHANNEL FETs

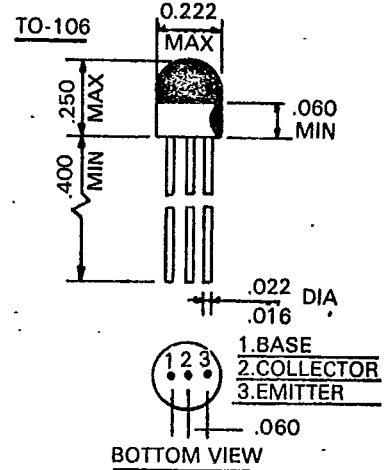
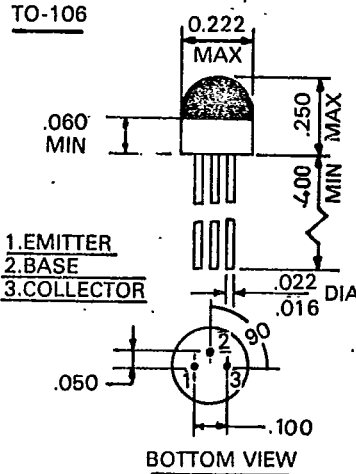
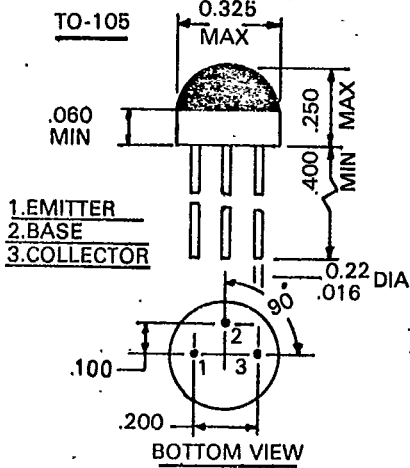
Device	PTA mW max	BVGSS Volts min	IGSS nA max	Vp Volts max	gm μmhos min/max	NF db typ.	IDSS mA min/max	Ciss pf typ.	Crss pf typ.	Package
BFW 10	300	30	0.1	8	3500/6500	2.5	8/20	4	0.6	TO-72
BFW 11	300	30	0.1	6	3000/6500	2.5	4/10	4	0.6	TO-72

ALL DIMENSIONS IN INCHES

PACKAGE OUTLINES



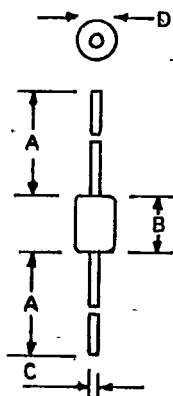
For transistor BF 167, 173 in TO-72 Package Base & Emitter leads get interchanged.



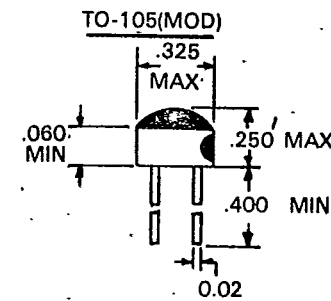
Note; For HF. transistor TO-106 Package 1. Base 2. Emitter and 3. Collector

TYPICAL DIMENSIONS

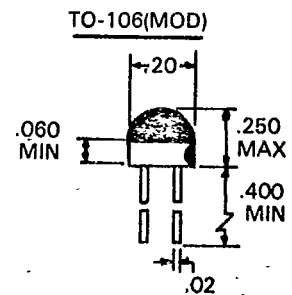
Dim	Package			
	DO-7	DO-35	DO-41	DO-34
A	1.100	1.100	1.100	1.100
B	0.230	0.140	0.150	0.104
C	0.020	0.020	0.032	0.020
D	0.096	0.070	0.94	0.056



LEAD ADJACENT TO DOT OR BAND IS CATHODE

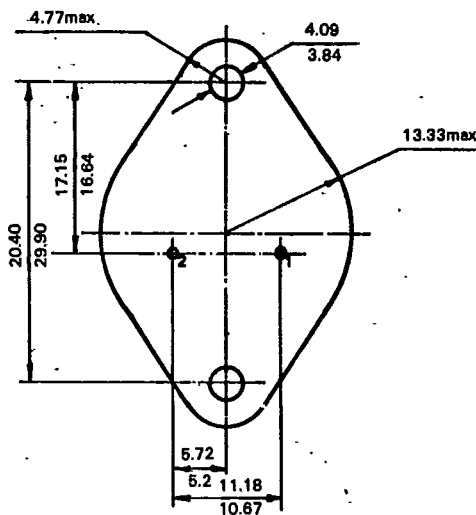
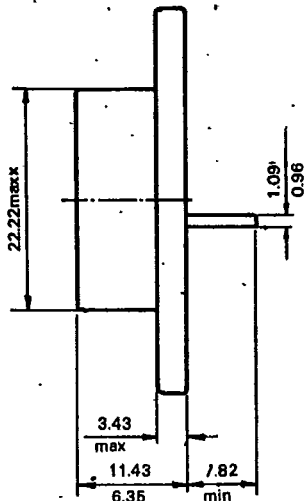


LEAD ADJACENT TO DOT IS CATHODE



LEAD ADJACENT TO DOT IS CATHODE

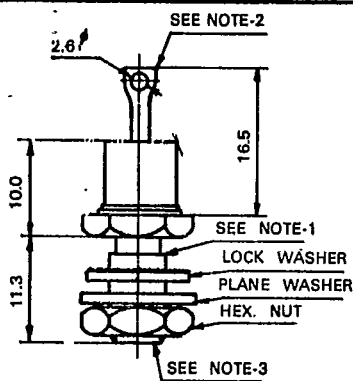
PACKAGE OUTLINES



TO-204AA

Pin Configuration: 1:Base
2:Emitter
Body : Collector

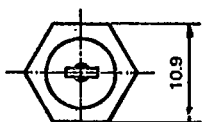
ALL DIMENSIONS IN M.M.



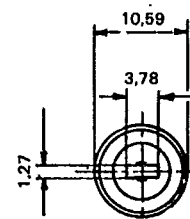
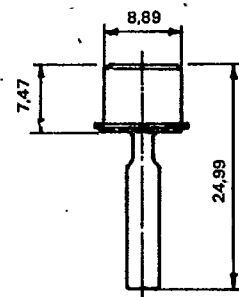
NOTES:

1. Threads to extend to within 2—1/2 threads of seating plane.
2. Angular orientation undefined.
3. lo-32 UNF-2A maximum pitch dia shall be (1687" 4.29 mm)

(All dimensions in mm)

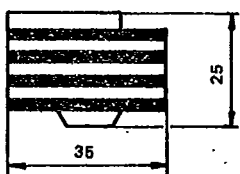
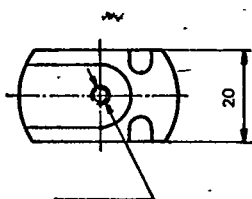


DO-4

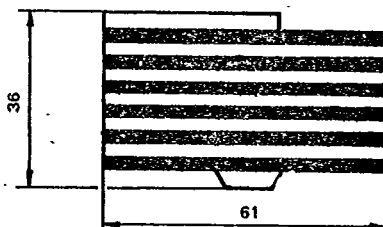
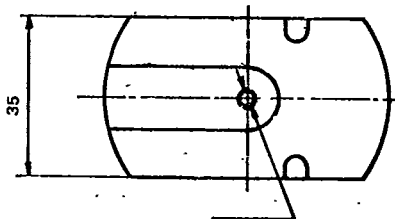


DO-21

HEAT SINK:



K 6 (3,6 AMP. DIODES)



K 12 (12 AMP. DIODES)

PACKAGE OUTLINES

FOR TO-92 AND TO 237 PACKAGE PIN CONFIGURATION FROM LEFT TO RIGHT IS COLLECTOR-BASE-EMITTER, KEEPING FLAT FACE IN FRONT AND LEADS POINTING DOWNWARDS.

