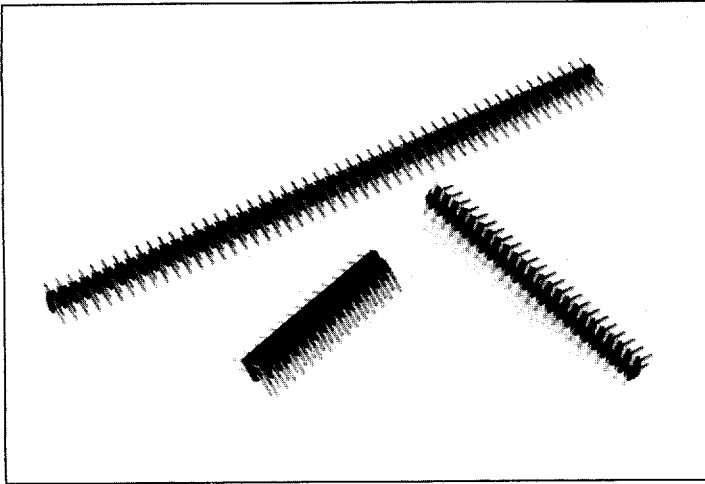
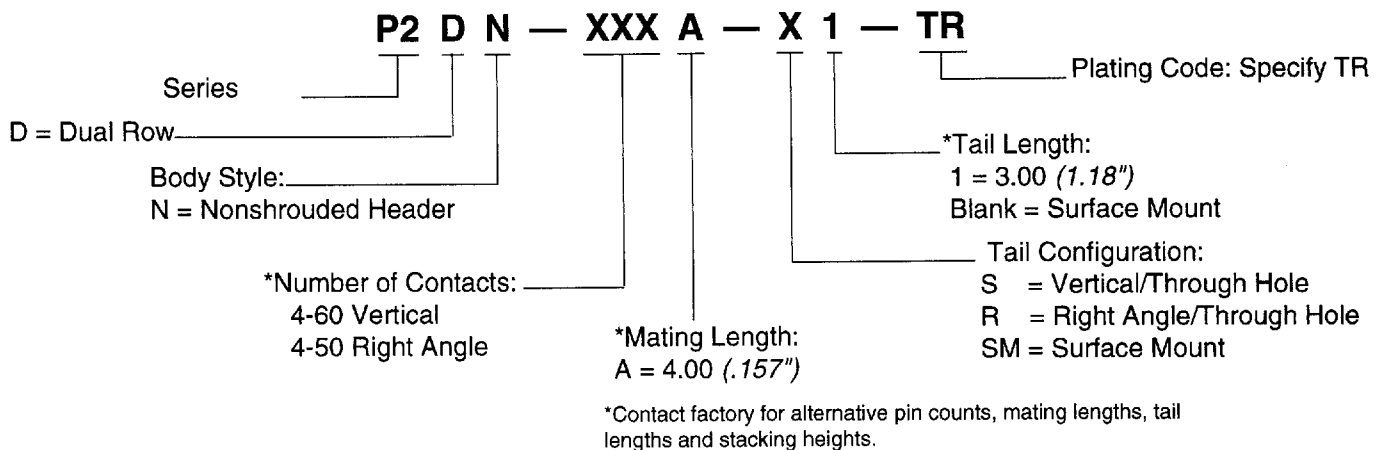


2mm Headers, Dual Row P2 Series



- High temp, surface mount compatible
- 2mm pin-to-pin and row-to-row spacing
- Vertical or right angle through hole product
- Right angle insulator design with ribs stabilizes connector on PCB
- Right angle, open pin insulator facilitates IR processing
- Surface mount (SMT) option for applications with restricted PCB space
- ROBEX® plating
- Flexible pin length capability

How To Order P2 Header Series



Materials:

Body: High temp, black thermoplastic
Contacts: Phosphor Bronze

Performance Characteristics:

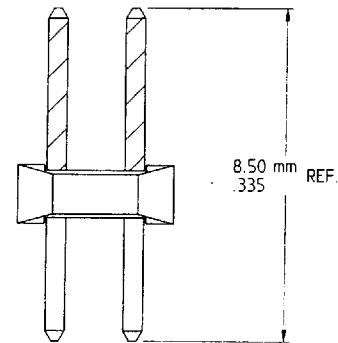
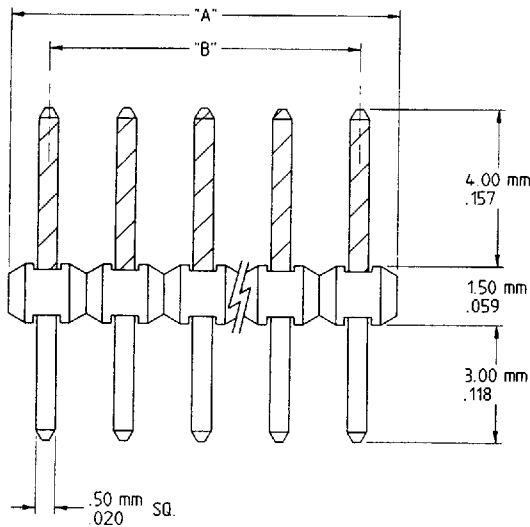
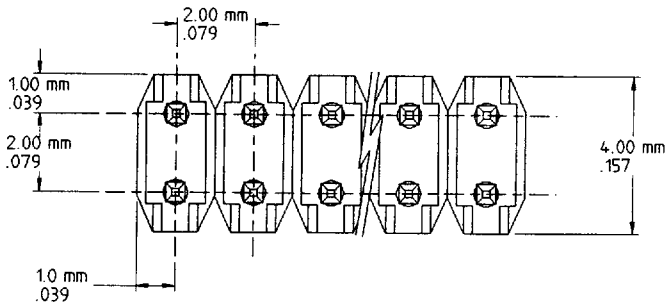
Contact Resistance: 20 mΩ maximum
Insulation Resistance: 1000 M ohms minimum
Dielectric Withstanding Voltage: 650 volts AC
Current Rating: 1 Ampere continuous
Temperature Range: -40°C to +105°C
Flammability: UL 94V-0

Plating Description:

Suffix: TR = ROBEX® [7 μinch (.178 μm) minimum Palladium Nickel with 3 μinch (.076 μm) minimum Gold flash] on contact area.
100 μinch (2.54 μm) minimum Tin on terminal area.
50 μinch (.127 μm) minimum Nickel underplate

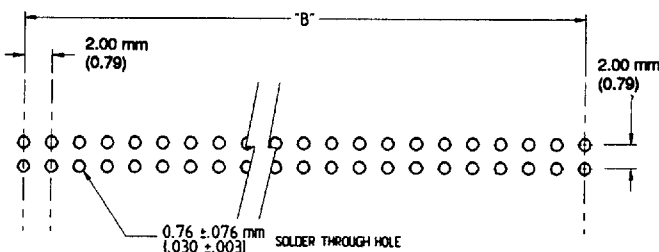
Contact factory for alternative plating options.

Vertical Through Hole P2DN-XXXA-S1-TR

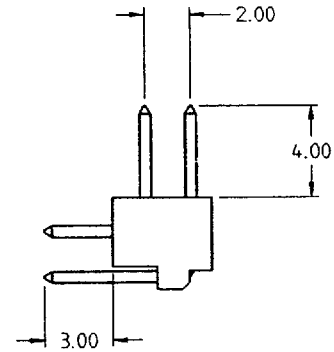
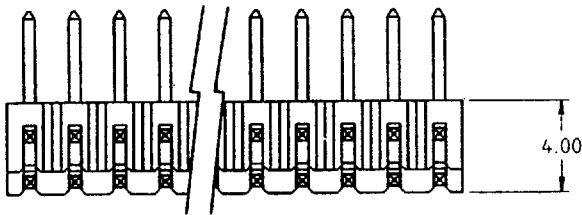
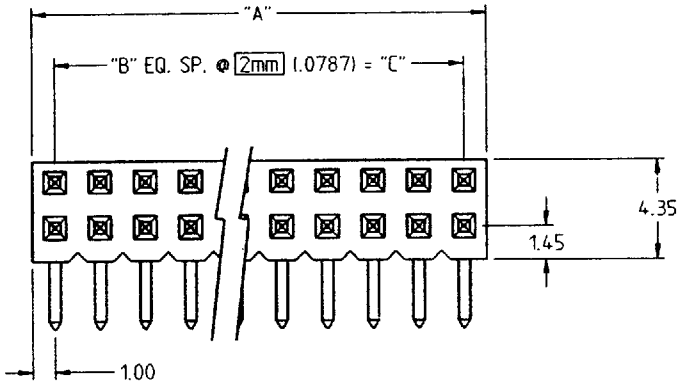


| No. of Contacts | Dim "A" mm (inch) | Dim "B" mm (inch) |
|-----------------|-------------------|-------------------|
| 4 | 4.00 (.157) | 2.00 (.079) |
| 6 | 6.00 (.236) | 4.00 (.157) |
| 8 | 8.00 (.315) | 6.00 (.236) |
| 10 | 10.00 (.394) | 8.00 (.315) |
| 12 | 12.00 (.472) | 10.00 (.394) |
| 14 | 14.00 (.551) | 12.00 (.472) |
| 16 | 16.00 (.630) | 14.00 (.551) |
| 18 | 18.00 (.709) | 16.00 (.630) |
| 20 | 20.00 (.787) | 18.00 (.709) |
| 22 | 22.00 (.866) | 20.00 (.787) |
| 24 | 24.00 (.945) | 22.00 (.866) |
| 26 | 26.00 (1.024) | 24.00 (.945) |
| 28 | 28.00 (1.102) | 26.00 (1.024) |
| 30 | 30.00 (1.181) | 28.00 (1.102) |
| 34 | 34.00 (1.339) | 32.00 (1.260) |
| 36 | 36.00 (1.417) | 34.00 (1.339) |
| 40 | 40.00 (1.575) | 38.00 (1.496) |
| 44 | 44.00 (1.732) | 42.00 (1.654) |
| 50 | 50.00 (1.969) | 48.00 (1.890) |
| 60 | 60.00 (2.362) | 58.00 (2.283) |

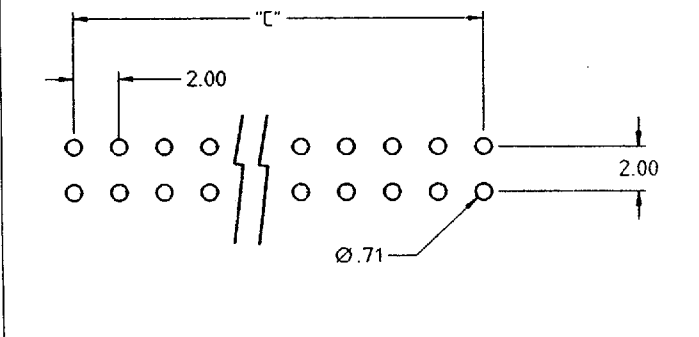
Printed Circuit Board Layout



Right Angle Through Hole P2DN-XXXA-R1-TR

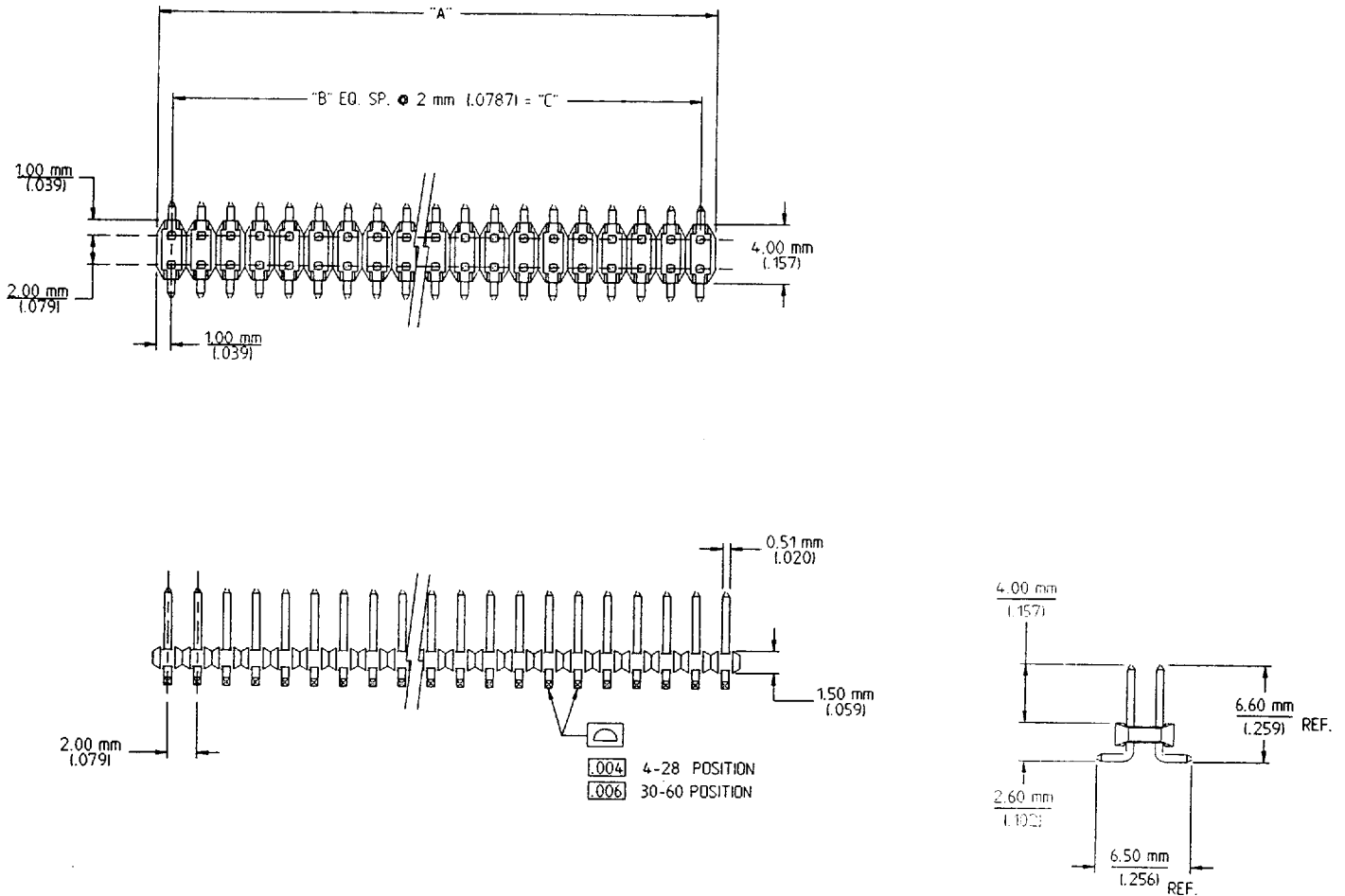


Printed Circuit Board Layout

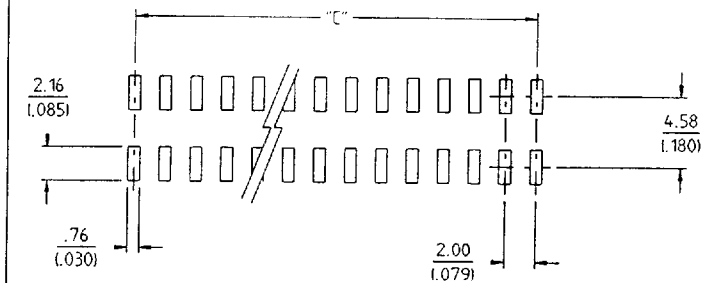


| No. of Contacts | Dim "A" mm (inch) | Dim "B" mm (inch) | Dim "C" mm (inch) |
|-----------------|-------------------|-------------------|-------------------|
| 4 | 4.00 (.157) | 1 | 2.00 (.079) |
| 6 | 6.00 (.236) | 2 | 4.00 (.157) |
| 8 | 8.00 (.315) | 3 | 6.00 (.236) |
| 10 | 10.00 (.394) | 4 | 8.00 (.315) |
| 12 | 12.00 (.472) | 5 | 10.00 (.394) |
| 14 | 14.00 (.551) | 6 | 12.00 (.472) |
| 16 | 16.00 (.630) | 7 | 14.00 (.551) |
| 18 | 18.00 (.709) | 8 | 16.00 (.630) |
| 20 | 20.00 (.787) | 9 | 18.00 (.709) |
| 22 | 22.00 (.866) | 10 | 20.00 (.787) |
| 24 | 24.00 (.945) | 11 | 22.00 (.866) |
| 26 | 26.00 (1.024) | 12 | 24.00 (.945) |
| 28 | 28.00 (1.102) | 13 | 26.00 (1.024) |
| 30 | 30.00 (1.181) | 14 | 28.00 (1.102) |
| 34 | 34.00 (1.339) | 16 | 32.00 (1.260) |
| 36 | 36.00 (1.417) | 17 | 34.00 (1.339) |
| 40 | 40.00 (1.575) | 19 | 38.00 (1.496) |
| 44 | 44.00 (1.732) | 21 | 42.00 (1.654) |
| 50 | 50.00 (1.969) | 24 | 48.00 (1.890) |

Surface Mount P2DN-XXXX-SM-TR



Printed Circuit Board Layout



| No. of Contacts | Dim "A" mm (inch) | Dim "B" mm (inch) |
|-----------------|-------------------|-------------------|
| 4 | 4.00 (.157) | 2.00 (.079) |
| 6 | 6.00 (.236) | 4.00 (.157) |
| 8 | 8.00 (.315) | 6.00 (.236) |
| 10 | 10.00 (.394) | 8.00 (.315) |
| 12 | 12.00 (.472) | 10.00 (.394) |
| 14 | 14.00 (.551) | 12.00 (.472) |
| 16 | 16.00 (.630) | 14.00 (.551) |
| 18 | 18.00 (.709) | 16.00 (.630) |
| 20 | 20.00 (.787) | 18.00 (.709) |
| 22 | 22.00 (.866) | 20.00 (.787) |
| 24 | 24.00 (.945) | 22.00 (.866) |
| 26 | 26.00 (1.024) | 24.00 (.945) |
| 28 | 28.00 (1.102) | 26.00 (1.024) |
| 30 | 30.00 (1.181) | 28.00 (1.102) |
| 34 | 34.00 (1.339) | 32.00 (1.260) |
| 36 | 36.00 (1.417) | 34.00 (1.339) |
| 40 | 40.00 (1.575) | 38.00 (1.496) |
| 44 | 44.00 (1.732) | 42.00 (1.654) |
| 50 | 50.00 (1.969) | 48.00 (1.890) |
| 60 | 60.00 (2.362) | 58.00 (2.283) |